

# VERMEIREN

## Trigo S Trigo T



INSTALLATION MANUAL  
MANUEL D'INSTALLATION  
INSTALLATIEHANDLEIDING  
INSTALLATIONSANLEITUNG  
MANUALE DI INSTALLAZIONE  
MANUAL DE INSTALACIÓN  
INSTRUKCJA INSTALACJI  
PŘÍRUČKU PRO INSTALACI



EN

### Instructions for specialist dealer

This instruction manual is part and parcel of the product and must accompany every product sold.

Version: D, 2021-04

FR

### Instructions pour les distributeurs

Ce manuel d'instructions fait partie du produit et doit accompagner chaque produit vendu.

Version : D, 2021-04

NL

### Instructies voor de vakhandelaar

Deze handleiding is deel van het product en dient bij iedere product te worden geleverd.

Versie: D, 2021-04

DE

### Hinweise für den Fachhändler

Diese Gebrauchsanweisung ist Bestand-teil des Produkts und ist bei jeder Produkts auszuhändigen.

Version: D, 2021-04

IT

### Istruzioni per il rivenditore

Il presente Manuale di istruzioni è parte integrante del prodotto e deve essere fornito assieme alla prodotto.

Versione: D, 2021-04

ES

### Instrucciones destinadas a los distribuidores especializados

El presente manual de instrucciones es parte integrante del producto y se debe adjuntar a todas las producto que se vendan.

Versión: D, 2021-04

PL

### Instrukcje dla wyspecjalizowanego sprzedawcy

Niniejsza instrukcja obsługi jest nieodłączną częścią produktu i musi być dołączona do każdego sprzedawanego produktu.

Wersja: D, 2021-04

CS

### Pokyny pro specializovaného prodejce

Tento návod k obsluze je součástí dodávky a musí být součástí každého prodaného produktu.

Verze: D, 2021-04

### All rights reserved, including translation.

No part of this manual may be reproduced in any form what so ever (print, photocopy, microfilm or any other process) without written permission of the publisher, or processed, duplicated or distributed by using electronic systems.

### Tous droits réservés, y compris la traduction.

Aucune partie de ce manuel ne peut être reproduite, sous quelque forme que ce soit (imprimée, photocopie, microfilm ou tout autre procédé) sans l'autorisation écrite du publicateur, ni traitée, dupliquée ou distribuée à l'aide de systèmes électroniques.

### Alle rechten, inclusief vertaling, voorbehouden.

Niets uit deze handleiding mag geheel of gedeeltelijk in enige vorm (druk, fotokopie, microfilm of ieder ander procedé) zonder de schriftelijke toelating van de uitgever worden gereproduceerd of met behulp van elektronische systemen worden verwerkt, gekopieerd of verspreid.

### Alle Rechte, auch an der Übersetzung, vorbehalten.

Kein Teil der Gebrauchsanweisung darf in irgendeiner Form (Druck, Fotokopie, Mikrofilm oder einem anderen Verfahren) ohne schriftliche Genehmigung des Herausgebers reproduziert oder unter Verwendung elektronischer Systeme verarbeitet, vervielfältigt oder verbreitet werden.

### Tutti i diritti riservati (anche sulla traduzione).

Il presente manuale non può essere riprodotto, neppure parzialmente, con alcun mezzo (stampa, fotocopia, microfilm o altro procedimento) senza l'autorizzazione scritta della casa produttrice, né elaborato, duplicato o distribuito con l'ausilio di sistemi elettronici.

### Todos los derechos reservados, incluidos los de la traducción.

Se prohíbe la reproducción total o parcial del presente manual de cualquier forma (impresión, fotocopia, microfilm o cualquier otro procedimiento), así como la edición, copia o distribución empleando sistemas electrónicos, sin el permiso escrito del editor.

### Wszelkie prawa zastrzeżone, łącznie z tłumaczeniem.

Żadna część niniejszej instrukcji nie może być powielana w jakiegokolwiek formie (drukowanej, fotokopii, mikrofilmu ani innej) bez pisemnej zgody wydawcy, nie może być również przetwarzana, kopiowana ani rozprowadzana za pomocą systemów elektronicznych.

### Všechna práva vyhrazena, včetně překladu.

Šíření jakékoli části tohoto katalogu jakýmkoliv způsobem (tisk, kopie, mikrofilm nebo jiný způsob) bez písemného souhlasu vydavatele, nebo zpracování, duplikace či distribuce prostřednictvím elektronických systémů je zakázáno.

## Content

<b>Preface</b> .....	<b>2</b>
<b>1 This product</b> .....	<b>3</b>
<b>2 Scope of delivery</b> .....	<b>4</b>
<b>3 Assembly and adjustments</b> .....	<b>5</b>
3.1 Tools .....	5
3.2 Adjusting the wheelchair to the user .....	6
3.2.1 Seat height.....	6
3.2.2 Rear wheel position .....	7
3.2.3 Seat inclination .....	7
3.2.4 Backrest inclination.....	7
3.2.5 Removable side plate .....	8
3.2.6 Fixed side plate.....	8
3.2.7 Camber angle adjustment of the rear wheels .....	9
3.2.8 Footplate height .....	9
3.2.9 Footplate angle .....	9
3.2.10 Footplate depth (only for Trigo S, folding footplate) .....	10
3.2.11 Adjusting the parking brakes.....	10
3.3 Changing pneumatic tyres .....	11

## Preface

To support you on the installation and repairs of this manual wheelchair, we provide you with this installation manual. Please read it carefully. If you still have questions after reading this manual, do not hesitate to contact Vermeiren.

The information in this manual applies to the following wheelchair(s):

- Trigo S with all its configurations
- Trigo T with all its configurations

### **Important note**

Pictures of the product are used to clarify the instructions. Details of the shown product may deviate from your product.

### **Available information**

On our website <http://www.vermeiren.com/> you will always find the most recent version of the following information. Please consult this website regularly for possible updates.

Visually impaired people can download the electronic version of this manual and have it read out by means of a text-to-speech software application.



User manual  
For user and specialist dealer



Installation manual  
For specialist dealer



Service manual for wheelchairs  
For specialist dealer



Drawings of (spare) parts  
For specialist dealer



EC declaration of conformity

# 1 This product



Figure 1 Trigo S

1. Backrest
2. Side plate (with optional armrest)
3. Seat
4. Frame
5. Fixed footplate 1x (Trigo S)
6. Removable footplate 2x (Trigo T)
7. Front wheel
8. Rear wheel
9. Fixed footrest (Trigo S)
10. Removable footrest (Trigo T)
11. Brake
12. Push handle (optional)
13. Hand rim
14. Identification plate



Figure 2 Trigo T



## 2 Scope of delivery

The following items are part of the delivery:

- Framework
- Sideplates
- Rear and front wheels
- Seat and back cushion
- Footrests (\*)
- Tools
- User manual of wheelchair
- Accessories (if applicable)

Before use, check if everything is included and that no products are damaged.

Please note that the basic configuration may differ in different European countries. Contact your specialist dealer.

(\*) Fixed for Trigo S, removable for Trigo T.

## 3 Assembly and adjustments

**CAUTION**

Risk of injuries or damage

- The wheelchair needs to be (dis)assembled and adjusted by a specialist dealer according to the instructions in this chapter.
- Only use parts and tools described in this manual.
- Prevent bystanders from accessing the (dis)assembling area.
- Keep the (dis)assembling area clean and tidy, to prevent falling.
- Collect all small parts in a box or bag.
- While (dis)assembling and operating the wheelchair, make sure no objects or body parts get caught between moving parts.
- Make sure all screws are firmly secured before driving.

### **i** Important remarks

- The Trigo wheelchair has multiple configuration options and optional parts.
- Read the user manual of this wheelchair.
- Be aware of the technical details and limits of intended use; see the user manual.
- For more information, contact your nearest Vermeiren facility.

### 3.1 Tools

To (dis)assemble and adjust the wheelchair, the following tools are needed:

- Wrench set no. 8
- Allen keyset n° 2.5, 3, 4 and 5

## 3.2 Adjusting the wheelchair to the user


**CAUTION**

Risk of injuries

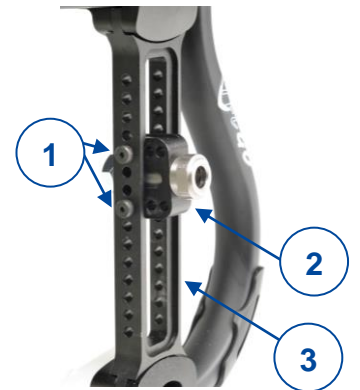
- Take the possible rear wheel-front wheel configurations into account regarding seat height, as mentioned in Table 1.
- Make sure that both front wheels and both rear wheels are mounted in the same position.

### 3.2.1 Seat height

The seat can be raised or lowered by changing the wheel position, diameter of the front wheels, and diameter of the rear wheels.

*To adjust the height of the rear wheel:*

1. Remove the rear wheel, using the quick release system.
2. Remove both bolt-nut connections (1) from the rear wheel attachment cube (2).
3. Slide the attachment cube (2) up/down in the rear wheel support (3) until the desired height.
4. Fasten the attachment cube (2) by firmly tightening both bolt-nut (1) connections.
5. Remount the rear wheel.
6. Repeat for the other wheel.



*To adjust the height of the front wheel:*

1. Remove the M6 screws (4) on both sides of the wheel.
2. Move the wheel up/down in the front fork (5) until the desired position.
3. Reattach the wheel to the front fork (5) by firmly tightening both screws (4) in the according hole.
4. Repeat for the other wheel. Make sure that both rear wheels and both front wheels are adjusted to the same height.



*To adjust the angle of the front wheels:*

1. Remove the cover (6) of the front wheel attachment.
2. Loosen the M8 screw.
3. Adjust the angle of the front wheel using the toothed clamp (7). The fork attachment (8) should be perpendicular to the ground.
4. Firmly retighten the M8 screw and place back the cover (6).
5. Repeat for the other wheel. Make sure that both wheels are adjusted to the same angle.



**Table 1: Wheel configurations regarding seat height**

SEAT HEIGHT FRONT (in mm)															
	380	390	400	410	420	430	440	450	460	470	480	490	500	510	
3"	i	i	i	i	i	i		i	i	i					
4"		i	i	i	i	i	i	i	i	i	i	i			
5"				i	i	i	i	i	i	i	i	i	i		
6"						i	i	i	i	i	i	i	i	i	

SEAT HEIGHT REAR (in mm)																					
	315	325	335	345	355	365	375	385	395	405	415	425	435	445	455	465	475	485	495	505	515
18"	i	i	i	i	i	i	i	i	i	i	i										
20"			i	i	i	i	i	i	i	i	i	i	i								
22"					i	i	i	i	i	i	i	i	i	i	i						
24"								i	i	i	i	i	i	i	i	i	i	i			
26"										i	i	i	i	i	i	i	i	i	i	i	i

### 3.2.2 Rear wheel position

The rear wheel position can be steplessly adjusted:

1. Remove the rear wheel, using the quick release system.
2. On the inside of the rear wheel support (9), loosen the two M6 screws at the top, and the three M6 screws on the bottom a few turns until the support can be moved..
3. Using the measurements (10) on the outside of the seat frame, slide the rear wheel support (9) evenly to the back/front of the frame until the desired depth is reached.
4. Firmly tighten the five M6 screws.
5. Repeat on the other side, using the measurements (10) on the frame to make sure both rear wheel supports are adjusted to the same depth.



### 3.2.3 Seat inclination

The seat inclination can be adjusted by altering the configuration of the front and rear wheels. See 3.2.1 for the instructions on how to change the position of the wheels.

### 3.2.4 Backrest inclination

The backrest can be adjusted into 5 angle positions:

1. Gently pull the back strap (11) until the backrest is unlocked.
2. Remove the outer screw (12) of the hinging point (13).
3. Move the inner sleeve with second screw to another hole, according to the desired angle. Lock the position by retightening the screw (12).
4. Repeat for the second backrest connection.
5. Check the position by moving the backrest until it is locked into place by the locking pins. Make sure that both locking pins are secured in the same position.



### 3.2.5 Removable side plate

#### Depth of panel (16)

1. Loosen socket screw (14) and remove socket screw (15).
2. Slide side panel (16) forward/backward and retighten with socket screw (15) in one of the openings of the support. Tighten socket screw (14) again.
3. Repeat for the other side panel.

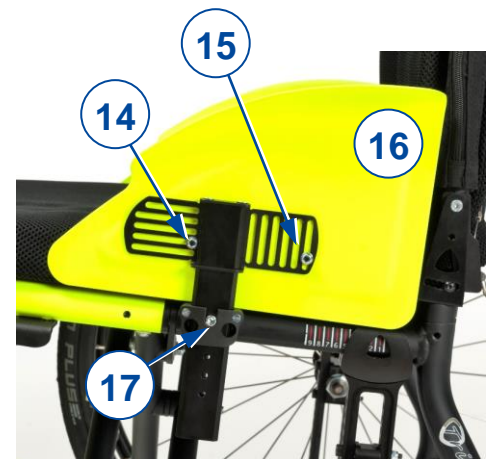
#### Height of panel (16)

1. Loosen socket screw (15), remove socket screw (14).
2. Slide side panel (16) up/down and retighten with socket screw (14) in one of the openings of the support. Tighten socket screw (15) again.
3. Repeat for the other side panel.

#### Height of complete side plate (18)

1. Remove the side plate from the wheelchair.
2. Remove the socket screw (17).
3. Place the socket screw in another hole according to the desired height (5 positions available).
4. Firmly tighten the socket screw.
5. Repeat the adjustments above for the second side plate.

Make sure that both side plates and panels are set to the same height and depth, and that they are firmly secured.



### 3.2.6 Fixed side plate

#### Depth of side plate (22)

1. Loosen socket screws (19+20+21).
2. Slide side plate forward/backward and retighten the socket screws.

#### Height of side plate (22)

1. Remove socket screws (19+20+21).
2. Move the side plate up/down to the desired height and retighten it with socket screws (19+20) in one of its openings. Replace socket screw 21 accordingly.



Repeat the adjustments above for the second side plate. Make sure that both side plates are set to the same height and dept, and that they are firmly secured.

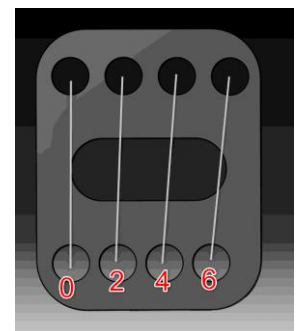
### 3.2.7 Camber angle adjustment of the rear wheels

The camber angle of the rear wheels is adjustable in 4 positions (0°, 2°, 4°, 6°) by adjusting the angle of the rear wheel attachment cube in the rear wheel support:

1. Remove the rear wheel, using the quick release system.
2. Remove both bolt-nut connections (23) from the rear wheel attachment cube (24).
3. Adjust the angle of the attachment cube (24) relative to the rear wheel support (25). \*
4. Fasten the attachment cube (24) in the correct angle by firmly tightening the bolt-nut (23) connections in the corresponding holes.
5. Remount the rear wheel.
6. Repeat for the other wheel. Make sure that both rear wheels are adjusted to the same camber angle.



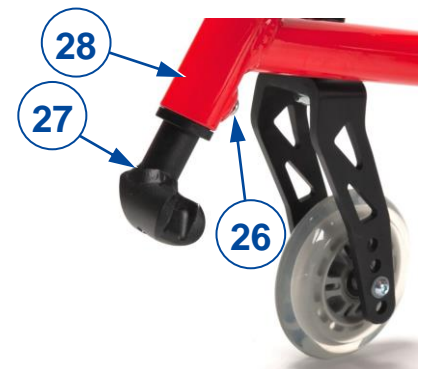
\* The attachment cube has been fitted with four sets of two matching holes. Choose the set that corresponds to the required camber angle as shown in the picture.



### 3.2.8 Footplate height

#### **Trigo S (steps of 10 mm)**

1. Remove the M6 screw from the back of the footrest (26).
2. Slide the footplate (27) up/down in the front-frame tube (28) until the desired height. Make sure the holes of the inner and outer tube align.
3. Replace the M6 screw (26).
4. Repeat for the second footrest. Make sure that both footrests are set to the same height, and that they are firmly secured.



#### **Trigo T (stepless)**

1. Remove the M6 screw from the back of the footrest (26).
2. Slide the footplate (27) up/down in the front-frame tube (28) until the desired height.
3. Replace the M6 screw (26).
4. Repeat for the second footrest. Make sure that both footrests are set to the same height, and that they are firmly secured.

### 3.2.9 Footplate angle

#### **Trigo T (20° in steps of 5°)**

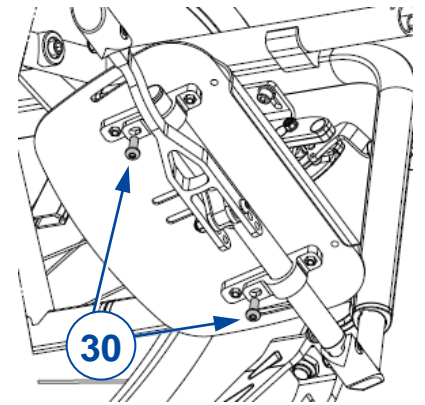
1. Loosen the M6 screw (29) on the outside of the footplate.
2. Turn the footplate to the desired angle. The angle indication is given according to dashes on the outside of the toothed clamp.
3. Retighten the M6 screw (29) firmly.
4. Repeat for the second footplate. Make sure that both footplates are firmly secured.



### Trigo S (stepless)

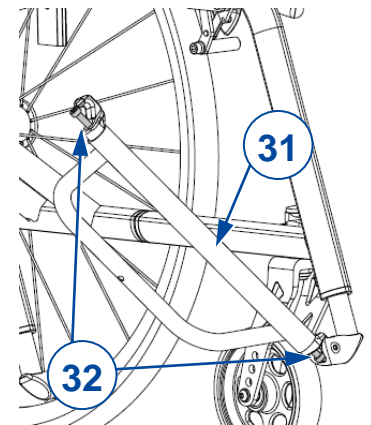
For the foldable footplate:

1. On the bottom of the footplate, loosen both M6 screws (30).
2. Turn the footplate until the desired angle is reached.
3. Firmly tighten both screws (30).



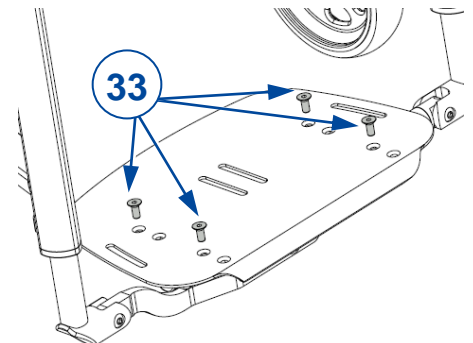
For the opening footplate:

1. On the main tube (31), loosen the M6 screws (32) on both sides of the footplate.
2. Turn the footplate until the desired angle is reached.
3. Firmly retighten both screws (32).



### 3.2.10 Footplate depth (only for Trigo S, folding footplate)

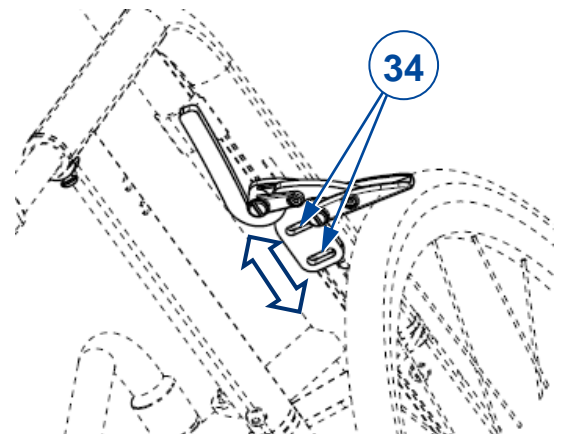
1. Remove the four M5 screws (33) from the footplate.
2. Place the footplate forwards/backwards to the desired depth (2 positions available).
3. Firmly retighten the M5 screws (33). Make sure that the footplate is firmly secured.



### 3.2.11 Adjusting the parking brakes

Depending on the diameter of the rear wheels and their position, the brakes can be adjusted accordingly. The following instructions apply to both the push-pull brakes and the sports brakes.

1. Release the brake, see user manual.
2. Loosen the two screws (34) connecting the brake to the frame.
3. Slide the brake forwards/backwards in the slot until the desired position.
4. Firmly retighten both screws.
5. Verify if the brake is working properly; the wheel is blocked, but the brake can still be operated easily. If this is not the case, repeat the steps above until the brake is adjusted well.
6. Repeat for the second parking brake. Make sure that both brakes are adjusted identically.



### 3.3 Changing pneumatic tyres

**CAUTION**

Risk of injuries and damage

- Make sure all air is released from the tyre, before removing it.
- Make sure that no body parts, the inner tube nor any other objects are pinched between tyre and rim.
- Make sure all screws are firmly secured by hand before driving with the wheelchair.
- Make sure that the pressure is correct, see the pressure indication on the tyres.
- Inflate the tyre using inflating equipment which complies to regulations and with a pressure indication in “bar”.
- Only use replacement parts approved by Vermeiren.

To change the tyre or inner tube, proceed as follows:

1. Let all the air out of the inner tube.
2. Insert a tyre lever between the tyre and the rim.
3. Gently push the tyre lever downwards. This will pull the tyre over the edge of the rim.
4. Move the lever along the rim so the tyre pops out.
5. Carefully remove the tyre from the rim and remove the tube.



Place the rim belt in position over the air valve before inserting it into the rim. The rim belt can now be pulled over easily. Check that all spoke heads are covered (a rim belt is not required in the case of a plastic rim).



Push the tyre over the edge of the rim, starting behind the air valve. Inflate the tube slightly until it is round, and place it inside the tyre.



If the tube fits inside the tyre without any folds (in case of folds: let out some air), then the upper side of the tyre can be pressed lightly onto the rim with both hands, starting at the air valve. Lightly push the air valve inwards and pull it out again to make sure that the tyre is positioned properly in the region of the air valve.



## Table des matières

<b>Préface</b> .....	<b>2</b>
<b>1 Ce produit</b> .....	<b>3</b>
<b>2 Portée de la livraison</b> .....	<b>4</b>
<b>3 Montage et réglages</b> .....	<b>5</b>
3.1 Outils.....	5
3.2 L'adaptation du fauteuil à l'utilisateur .....	6
3.2.1 Hauteur du siège .....	6
3.2.2 Position de la roue arrière.....	7
3.2.3 Inclinaison du siège .....	7
3.2.4 Inclinaison du dossier .....	7
3.2.5 Plaque latérale amovible.....	8
3.2.6 Plaque latérale fixe .....	8
3.2.7 Réglage de l'angle de carrossage des roues arrière.....	9
3.2.8 Hauteur de palette repose-pieds.....	9
3.2.9 Inclinaison du repose-pied .....	9
3.2.10 Profondeur de palette repose-pieds (uniquement pour Trigo S, palette repose-pieds pliable).....	10
3.2.11 Réglage des freins de stationnement.....	10
3.3 Changer les pneumatiques .....	11

## Préface

Nous vous fournissons ce manuel d'installation pour vous soutenir dans l'installation et les réparations de ce fauteuil roulant manuel. Veuillez le lire attentivement. Si vous avez encore des questions après la lecture de ce manuel, n'hésitez pas à prendre contact avec Vermeiren.

Les informations fournies dans ce manuel s'appliquent au(x) fauteuil(s) roulant(s) :

- Trigo S avec toutes ses configurations
- Trigo T avec toutes ses configurations

### **Remarque importante**

Les photos du produit sont utilisées pour clarifier les instructions. Les détails du produit illustré peuvent diverger de votre produit.

### **Informations disponibles**

Sur notre site <http://www.vermeiren.com/> vous trouverez toujours la version la plus récente des informations suivantes. Veuillez consulter régulièrement ce site Internet pour connaître les éventuelles mises à jour.

Les personnes malvoyantes peuvent télécharger la version électronique de ce manuel et la lire au moyen d'une application de texte-parole.



Manuel d'utilisation  
Pour l'utilisateur et le revendeur spécialisé



Manuel d'installation  
Pour le revendeur spécialisé



Manuel d'entretien des fauteuils roulants  
Pour le revendeur spécialisé



Dessins des pièces (de rechange)  
Pour le revendeur spécialisé



Déclaration de conformité CE



# 1 Ce produit

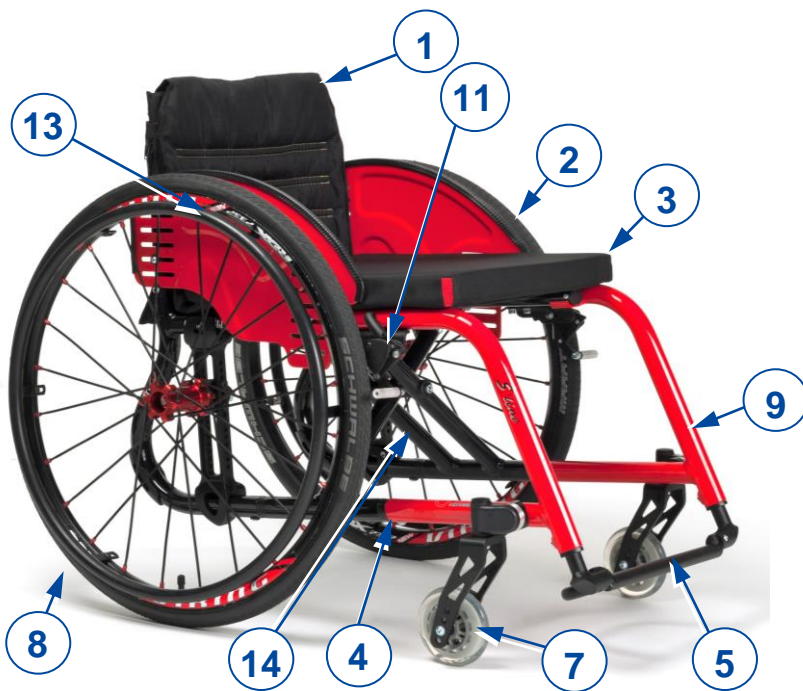


Figure 1 Trigo S



Figure 2 Trigo T

1. Dossier
2. Plaque latérale (avec accoudoir en option)
3. Siège
4. Cadre
5. Palette repose-pieds fixe 1x (Trigo S)
6. Palette repose-pieds amovible 2x (Trigo T)
7. Roue avant
8. Roue arrière
9. Repose-pieds fixe (Trigo S)
10. Repose-pieds amovible (Trigo T)
11. Frein
12. Poignée de poussée (en option)
13. Main courante
14. Plaque d'identification

## 2 Portée de la livraison

Les éléments suivants sont compris dans la livraison :

- Cadre
- Plaques latérales
- Roues arrière et avant
- Coussin du siège et dossier
- Repose-pieds (\*)
- Outils
- Manuel d'utilisation du fauteuil roulant
- Accessoires (le cas échéant)

Avant utilisation, vérifiez que tout est inclus et qu'aucun produit n'est endommagé. Veuillez noter que la configuration de base peut différer dans les différents pays européens. Prenez contact avec votre revendeur spécialisé.

(\*) Fixe pour Trigo S, amovible pour Trigo T.

## 3 Montage et réglages

**ATTENTION**

Risque de blessures ou de dommages

- Le fauteuil roulant doit être (dé)monté et réglé par un revendeur spécialisé conformément aux instructions fournies dans le présent chapitre.
- N'utilisez que les pièces et outils décrits dans ce manuel.
- Assurez-vous qu'aucune personne aux alentours ne pénètre dans la zone de (dé)montage.
- Gardez la zone de (dé)montage propre et ordonnée pour éviter toute chute.
- Rassemblez toutes les petites pièces dans une boîte ou un sac.
- Lors du (dé)montage et de l'utilisation du fauteuil roulant, assurez-vous de ne coincer aucun objet ni aucune partie du corps entre les pièces mobiles.
- Assurez-vous que toutes les vis sont correctement serrées avant l'utilisation.

**Remarques importantes**

- Le fauteuil roulant Trigo possède différentes options de configuration et pièces en option.
- Lisez le manuel d'utilisation de ce fauteuil roulant.
- Veuillez garder à l'esprit les détails techniques et les limites de l'utilisation prévue ; cf. le manuel d'utilisation.
- Pour de plus amples informations, prenez contact avec l'établissement Vermeiren le plus proche.

### 3.1 Outils

Pour (dé)monter et régler le fauteuil roulant, les outils suivants sont nécessaires :

- Jeu de clés à molette n° 8
- Jeu de clés Allen n° 2.5, 3, 4 et 5

## 3.2 L'adaptation du fauteuil à l'utilisateur


**ATTENTION**

Risque de blessures

- Tenez compte des configurations de roues avant et arrière pour la hauteur de siège, comme mentionné dans Tableau 1.
- Assurez-vous que les deux roues avant et arrière sont montées dans la même position.

### 3.2.1 Hauteur du siège

Le siège peut être relevé ou abaissé en changeant la position de la roue, le diamètre des roues avant et celui des roues arrière.

*Pour régler la hauteur de la roue arrière :*

1. Retirez la roue arrière à l'aide système de déverrouillage rapide.
2. Retirez les deux raccords boulon-écrou (1) du cube de fixation de la roue arrière (2).
3. Faites glisser le cube de fixation (2) vers le haut/bas dans le support de roue arrière (3) jusqu'à la hauteur désirée.
4. Serrez le cube de fixation (2) en serrant fermement les deux raccords boulon-écrou (1).
5. Remontez la roue arrière.
6. Répétez cette opération pour l'autre roue.



*Pour régler la hauteur de la roue avant :*

1. Retirez les vis M6 (4) des deux côtés de la roue.
2. Faites glisser la roue vers le haut/bas dans la fourche avant (5) jusqu'à la position désirée.
3. Refixez la roue sur la fourche avant (5) en serrant fermement les deux vis (4) dans le trou correspondant.
4. Répétez cette opération pour l'autre roue. Assurez-vous que les deux roues avant et arrière sont bien réglées à la même hauteur.



*Pour régler l'angle des roues avant :*

1. Retirez le couvercle (6) de la fixation de la roue avant.
2. Desserrez la vis M8.
3. Réglez l'angle de la roue avant en utilisant le dispositif denté (7). La fixation de la fourche (8) doit être perpendiculaire par rapport au sol.
4. Resserrez fermement la vis M8 et remettez le couvercle en place (6).
5. Répétez cette opération pour l'autre roue. Assurez-vous que les deux roues sont réglées sous le même angle.

Tableau 1 : Configurations de roues par rapport à la hauteur du siège

HAUTEUR DE SIÈGE AVANT (en mm)															
	380	390	400	410	420	430	440	450	460	470	480	490	500	510	
3"	i	i	i	i	i	i		i	i	i					
4"		i	i	i	i	i	i	i	i	i	i	i			
5"				i	i	i	i	i	i	i	i	i	i		
6"						i	i	i	i	i	i	i	i	i	

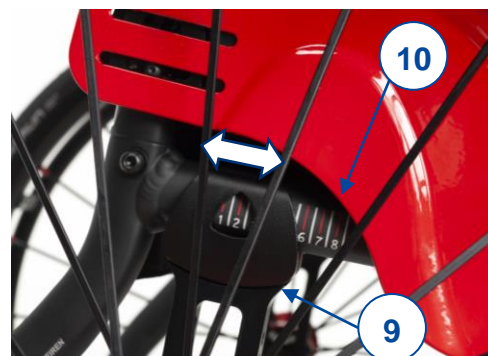
  

HAUTEUR DE SIÈGE ARRIÈRE (en mm)																					
	315	325	335	345	355	365	375	385	395	405	415	425	435	445	455	465	475	485	495	505	515
18"	i	i	i	i	i	i	i	i	i	i	i										
20"			i	i	i	i	i	i	i	i	i	i	i								
22"					i	i	i	i	i	i	i	i	i	i	i						
24"								i	i	i	i	i	i	i	i	i	i	i			
26"										i	i	i	i	i	i	i	i	i	i	i	i

### 3.2.2 Position de la roue arrière

La position de la roue arrière peut être réglée progressivement:

1. Retirez la roue arrière à l'aide du système de déverrouillage rapide.
2. À l'intérieur du support de roue arrière (9), desserrez de quelques tours les deux vis M6 du dessus et les trois vis M6 du dessous jusqu'à pouvoir retirer le support.
3. En utilisant les mesures (10) à l'extérieur du cadre de siège, faites glisser le support de roue arrière (9) uniformément jusqu'à l'arrière/avant du cadre jusqu'à obtenir la profondeur désirée.
4. Serrez fermement les cinq vis M6.
5. Répétez l'opération de l'autre côté, en se basant sur les mesures (10) du cadre pour s'assurer que les deux supports de roue arrière sont réglés à la même profondeur.



### 3.2.3 Inclinaison du siège

L'inclinaison du siège peut être réglée en modifiant la configuration des roues avant et arrière. Voir 3.2.1 pour les instructions sur la façon de modifier la position des roues.

### 3.2.4 Inclinaison du dossier

Le dossier peut être réglé dans 5 angles différents :

1. Tirez délicatement la sangle arrière (11) jusqu'à ce que le dossier soit déverrouillé.
2. Retirez la vis extérieure (12) du point d'articulation (13).
3. Retirez le manchon intérieur avec la deuxième vis dans un autre trou, selon l'angle désiré. Verrouillez la position en resserrant la vis (12).
4. Répétez l'opération pour le deuxième raccord de dossier.
5. Vérifiez la position en déplaçant le dossier jusqu'à ce qu'il soit verrouillé en place par les goupilles d'arrêt. Assurez-vous que les deux goupilles d'arrêt sont bien serrées dans la même position.



### 3.2.5 Plaque latérale amovible

#### Profondeur du panneau (16)

1. Desserrez la vis à six pans (14) et retirez la vis à six pans (15).
2. Faites glisser le panneau latéral (16) vers l'avant/arrière et resserrez avec la vis à six pans (15) dans l'une des ouvertures du support. Resserrez les vis à six pans (14).
3. Répétez l'opération pour l'autre panneau latéral.



#### Hauteur du panneau (16)

1. Desserrez la vis à six pans (15), retirez la vis à six pans (14).
2. Faites glisser le panneau latéral (16) vers le haut/bas et resserrez avec la vis à six pans (14) dans l'une des ouvertures du support. Resserrez les vis à six pans (15).
3. Répétez l'opération pour l'autre panneau latéral.



#### Hauteur de la plaque latérale complète (18)

1. Retirez la plaque latérale du fauteuil roulant.
2. Retirez la vis à six pans (17).
3. Placez la vis à six pans dans un autre trou selon la hauteur désirée (5 positions disponibles).
4. Serrez fermement la vis à six pans.
5. Répétez les réglages au-dessus de la deuxième plaque latérale.

Assurez-vous que les deux plaques latérales et les panneaux sont réglés à la même hauteur et profondeur, et qu'ils sont fermement fixés.

### 3.2.6 Plaque latérale fixe

#### Profondeur de plaque latérale (22)

1. Desserrez les vis à six pans (19+20+21).
2. Faites glisser la plaque latérale vers l'avant/arrière et serrez les vis à six pans.

#### Hauteur de la plaque latérale (22)

1. Retirez les vis à six pans (19+20+21).
2. Déplacez la plaque latérale vers le haut/bas à la hauteur désirée et resserrez-la avec les vis à six pans (19+20) dans l'une de ses ouvertures. Remplacez les vis à six pans 21 en conséquence.



Répétez les réglages ci-dessus pour la deuxième plaque latérale. Assurez-vous que les deux plaques latérales sont réglées à la même hauteur et profondeur et qu'elles sont bien serrées.

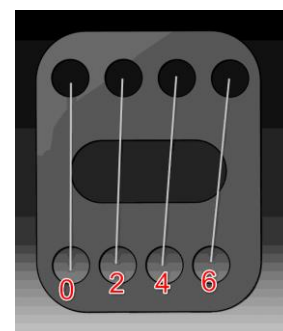
### 3.2.7 Réglage de l'angle de carrossage des roues arrière

L'angle de carrossage des roues arrière peut être réglé dans 4 positions (0°, 2°, 4°, 6°) en réglant l'angle du cube de fixation de la roue arrière dans le support de roue arrière :

1. Retirez la roue arrière à l'aide système de déverrouillage rapide.
2. Retirez les deux raccords boulon-écrou (23) du cube de fixation de la roue arrière (24).
3. Réglez l'angle du cube de fixation (24) par rapport au support de roue arrière (25). \*
4. Serrez le cube de fixation (24) dans l'angle correct en serrant fermement les raccords boulon-écrou (23) dans les trous correspondants.
5. Remontez la roue arrière.
6. Répétez cette opération pour l'autre roue. Assurez-vous que les deux roues arrière sont réglées sous le même angle de carrossage.



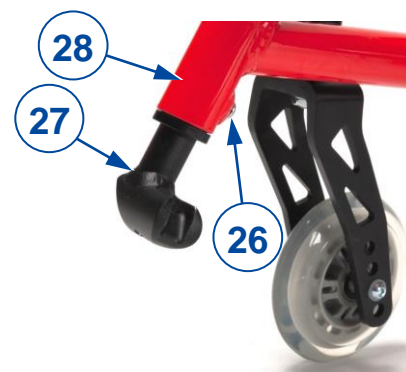
\* Le cube de fixation est doté de quatre jeux de deux trous d'alignement. Choisissez le jeu qui correspond à l'angle de carrossage requis comme indiqué sur l'illustration.



### 3.2.8 Hauteur de palette repose-pieds

#### **Trigo S (pas de 10 mm)**

1. Retirez la vis M6 de l'arrière du repose-pieds (26).
2. Faites glisser la palette repose-pieds (27) vers le haut/bas dans le tube du cadre avant (28) jusqu'à la hauteur désirée. Assurez-vous que les trous du tube intérieur et extérieur sont alignés.
3. Remplacez la vis M6 (26).
4. Répétez cette opération pour l'autre repose-pied. Assurez-vous que les deux repose-pieds sont réglés à la même hauteur et qu'ils sont fermement fixés.



#### **Trigo T (en continu)**

1. Retirez la vis M6 de l'arrière du repose-pieds (26).
2. Faites glisser la palette repose-pieds (27) vers le haut/bas dans le tube du cadre avant (28) jusqu'à la hauteur désirée.
3. Remplacez la vis M6 (26).
4. Répétez cette opération pour l'autre repose-pied. Assurez-vous que les deux repose-pieds sont réglés à la même hauteur et qu'ils sont fermement fixés.

### 3.2.9 Inclinaison du repose-pied

#### **Trigo T (20° par échelons de 5°)**

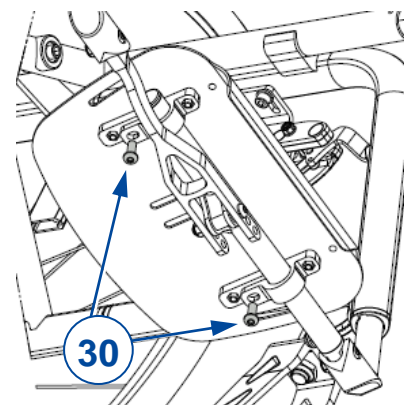
1. Desserrez la vis M6 (29) à l'extérieur de la palette repose-pieds.
2. Tournez la palette repose-pieds dans l'angle désiré. L'inclinaison de l'angle est indiquée par des pointillés sur le dispositif denté.
3. Resserrez fermement la vis M6 (29).
4. Répétez l'opération pour la deuxième palette repose-pied. Assurez-vous que les deux palettes sont bien fixées.



### Trigo S (en continu)

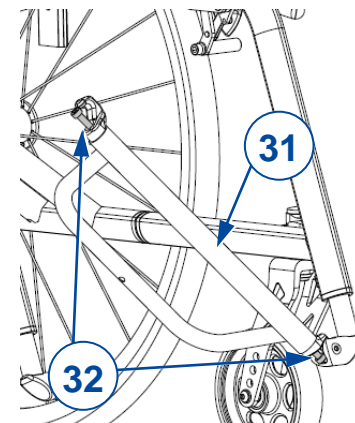
Pour la palette repose-pieds pliable :

1. Dans le bas de la palette repose-pieds, desserrez les deux vis M6 (30).
2. Tournez la palette repose-pieds jusqu'à obtention de l'angle désiré.
3. Serrez fermement les 2 vis (30).



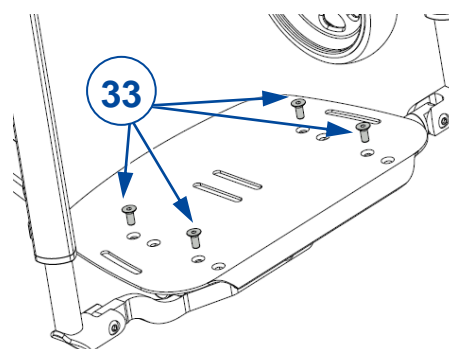
Pour l'ouverture de la palette repose-pieds :

1. Sur le tube principal (31), desserrez les vis M6 (32) sur les deux côtés de la palette repose-pieds.
2. Tournez la palette repose-pieds jusqu'à obtention de l'angle désiré.
3. Resserrez fermement les 2 vis (32).



### 3.2.10 Profondeur de palette repose-pieds (uniquement pour Trigo S, palette repose-pieds pliable)

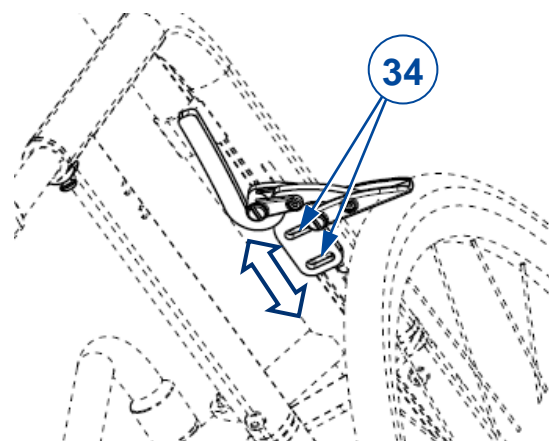
1. Retirez les quatre vis M5 (33) de la palette repose-pieds.
2. Placez la palette repose-pieds vers l'avant/arrière dans la profondeur désirée (2 positions disponibles).
3. Resserrez fermement les vis M5 (33). Assurez-vous que la palette repose-pieds est bien serrée.



### 3.2.11 Réglage des freins de stationnement

Suivant le diamètre des roues arrière et leur position, les freins peuvent être réglés en conséquence. Les instructions suivantes s'appliquent tant aux freins à pousser-tirer qu'aux freins de sport.

1. Relâchez le frein, voir le manuel d'utilisation.
2. Desserrez les deux vis (34) reliant le frein au cadre.
3. Faites glisser le frein vers l'avant/arrière dans la fente jusqu'à la position désirée.
4. Resserrez fermement les deux vis.
5. Vérifiez si le frein fonctionne convenablement : la roue est bloquée, mais le frein peut toujours être actionné facilement. Si ce n'est pas le cas, répétez les étapes ci-dessus jusqu'à ce que le frein soit bien réglé.
6. Répétez cette opération pour le deuxième frein de stationnement. Assurez-vous que les deux freins sont réglés identiquement.





### 3.3 Changer les pneumatiques

**ATTENTION**

Risque de blessures et de dommages

- Assurez-vous que tout l'air est libéré du pneu, avant de le retirer.
- Veillez à ne pas coincer des membres, la chambre à air ou d'autres objets entre le pneu et la jante.
- Assurez-vous que toutes les vis sont bien serrées manuellement avant d'utiliser le fauteuil roulant.
- Assurez-vous que la pression est correcte, cf. les indications relatives à la pression sur les pneus.
- Gonflez le pneu à l'aide du matériel adéquat conforme aux réglementations et avec une indication de pression en « bar ».
- Utilisez uniquement des pièces de rechange approuvées par Vermeiren.

Pour changer le pneu ou la chambre à air, procédez comme suit :

1. Laissez s'échapper l'air de la chambre à air.
2. Insérez un démonte-pneu entre le pneu et la jante.
3. Poussez doucement le démonte-pneu vers le bas. Ceci permet de tirer le pneu sur le bord de la jante.
4. Déplacez le levier le long de la jante pour faire sortir le pneu.
5. Retirez délicatement le pneu de la jante et retirez la chambre à air.



Placez la courroie de jante en position sur la vanne pneumatique avant de l'insérer sur la jante. La courroie de jante peut alors être tirée facilement. Vérifiez que les têtes de rayons sont couvertes (une courroie de jante n'est pas nécessaire dans le cas d'une jante en plastique).



Tirez le pneu sur le bord de la jante, en commençant derrière la vanne pneumatique. Gonflez légèrement la chambre à air jusqu'à ce qu'elle soit arrondie puis placez-la dans le pneu.



Si la chambre à air entre dans le pneu sans aucun pli (en cas de plis, dégonflez légèrement), la partie supérieure du pneu peut alors être pressée délicatement contre la jante avec les deux mains, en commençant au niveau de la vanne pneumatique. Poussez légèrement la vanne pneumatique vers l'intérieur puis retirez-la pour vous assurer que le pneu est bien positionné dans la zone de la vanne pneumatique.



## Inhoud

<b>Voorwoord</b> .....	<b>2</b>
<b>1 Dit product</b> .....	<b>3</b>
<b>2 Omvang van de levering</b> .....	<b>4</b>
<b>3 Montage en afstelling</b> .....	<b>5</b>
3.1 Gereedschap .....	5
3.2 De rolstoel aanpassen aan de gebruiker .....	6
3.2.1 Zithoogte.....	6
3.2.2 Positie van de achterwielen .....	7
3.2.3 Zitinclinatie .....	7
3.2.4 Inclinatie van de rug.....	7
3.2.5 Verwijderbare zijplaat.....	7
3.2.6 Vaste zijplaat.....	8
3.2.7 Camberhoek van de achterwielen aanpassen .....	8
3.2.8 Hoogte van de voetplaat.....	9
3.2.9 Hoek van de voetplaat .....	9
3.2.10 Voetplaat diepte (enkel voor Trigo S, vouwbare voetplaat).....	10
3.2.11 De parkeerremmen aanpassen .....	10
3.3 De pneumatische banden vervangen .....	11

## Voorwoord

Om u te ondersteunen bij het installeren en herstellen van deze manuele rolstoel, bieden we u deze installatiehandleiding aan. Lees deze informatie zorgvuldig door. Indien u na het lezen van deze handleiding nog vragen heeft, aarzel dan niet om contact op te nemen met Vermeiren. De informatie in deze handleiding heeft betrekking op de volgende rolstoel(en):

- Trigo S in al zijn configuraties
- Trigo T in al zijn configuraties

### **Belangrijke opmerking**

Afbeeldingen van het product worden gebruikt om de instructies te verduidelijken. Details van het afgebeelde product kunnen afwijken van uw aangekochte product.

### **Beschikbare informatie**

Op onze website <http://www.vermeiren.com/> kan u steeds de meest recente versie terugvinden van de informatie in deze handleiding. Contacteer deze website regelmatig voor mogelijke updates.

Mensen met een visuele beperking kunnen de elektronische versie van deze handleiding downloaden en laten voorlezen door een tekst-naar-spraak programma.



Gebruiksaanwijzing  
Voor de gebruiker en vakhandelaar



Installatiehandleiding  
Voor de vakhandelaar



Onderhoudshandleiding voor rolstoelen  
Voor de vakhandelaar

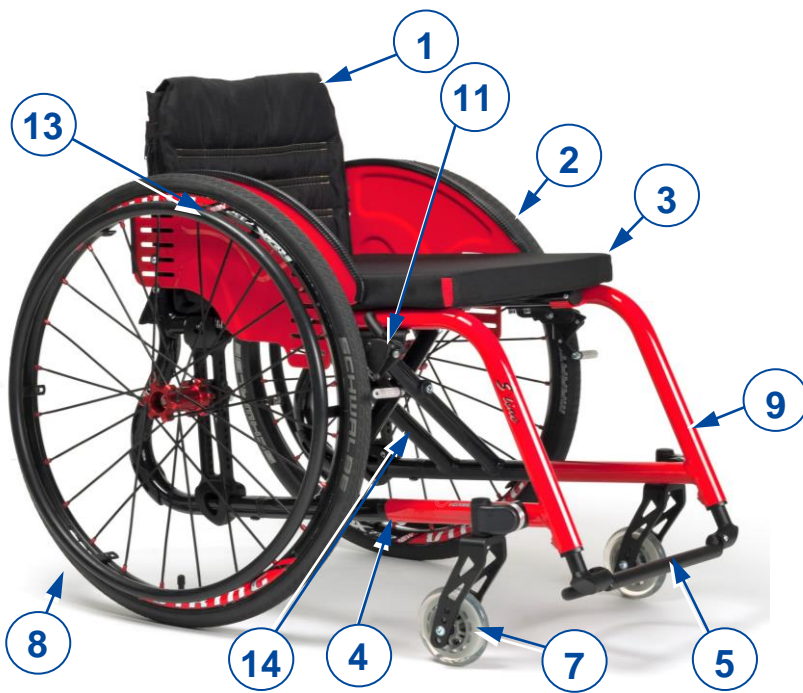


Tekeningen van (reserve)onderdelen  
Voor de vakhandelaar



EC-conformiteitsverklaring

# 1 Dit product



**Figuur 1** Trigo S

1. Rugsteun
2. Zijplaat/armsteun
3. Zit
4. Frame
5. Vaste voetplaat 1x (Trigo S)
6. Afneembare voetplaat 2x (Trigo T)
7. Voorwiel
8. Achterwiel
9. Vaste voetsteun (Trigo S)
10. Afneembare voetsteun (Trigo T)
11. Rem
12. Handgreep (optioneel)
13. Aandrijfhoepel
14. Identificatieplaat



**Figuur 2** Trigo T

## 2 Omvang van de levering

De volgende onderdelen maken deel uit van de levering:

- Frame
- Zijplaten
- Achter- en voorwielen
- Rug- en zitkussen
- Voetsteunen (\*)
- Gereedschap
- Gebruiksaanwijzing van de rolstoel
- Accessoires (indien van toepassing)

Voor gebruik, controleer of alles is meegeleverd en of er geen beschadiging is aan de onderdelen. Denk eraan dat de basisconfiguratie kan variëren in de verschillende Europese landen. Neem contact op met uw vakhandelaar.

(\*) Vast voor Trigo S, afneembaar voor Trigo T.

## 3 Montage en afstelling



**VOORZICHTIG** Gevaar voor letsel of beschadiging

- De rolstoel moet ge(de)monteerd en afgesteld worden door een vakhandelaar volgens de instructies in dit hoofdstuk.
- Gebruik enkel onderdelen en gereedschap zoals beschreven in deze handleiding.
- Voorkom dat omstaanders (de)montagezone betreden.
- Houd de (de)montagezone proper en opgeruimd om vallen te voorkomen.
- Verzamel alle kleine onderdelen in een doos of zak.
- Bij het (de)monteren en bedienen van de rolstoel, zorg ervoor dat er geen objecten of lichaamsdelen gekneld raken tussen bewegende onderdelen.
- Zorg ervoor dat alle schroeven goed vastzitten voor het rijden.

### **i** Belangrijke opmerkingen

- De Trigo rolstoel heeft verschillende configuratieopties en optionele onderdelen.
- Lees de gebruiksaanwijzing van deze rolstoel.
- Houd rekening met de technische details en limieten van het vooropgestelde gebruik; zie de gebruiksaanwijzing.
- Voor meer informatie, neem contact op met uw dichtstbijzijnde Vermeiren-vestiging.

### 3.1 Gereedschap

Om de rolstoel te (de)monteren, is volgend gereedschap nodig:

- Set moersleutels nr. 8
- Set Allen-sleutels nr. 2.5, 3, 4, 5

## 3.2 De rolstoel aanpassen aan de gebruiker

**VOORZICHTIG** Gevaar voor letsel

- Houd rekening met de mogelijke voorwiel- en achterwielconfiguraties met betrekking tot de zithoogte, zie Tabel 1.
- Zorg ervoor dat beide voorwielen en beide achterwielen in dezelfde positie zijn gemonteerd.

### 3.2.1 Zithoogte

De zit kan verhoogd of verlaagd worden door de wielpositie, diameter van de achterwielen, en diameter van de voorwielen aan te passen.

*Om de hoogte van het achterwiel aan te passen:*

1. Verwijder de achterwielen met het snelle ontgrendelingssysteem.
2. Verwijder beide bouten met moer (1) uit het bevestigingsblok (2) voor het achterwiel.
3. Schuif het bevestigingsblok (2) naar boven/beneden in de achterwielbevestiging (3) tot de gewenste positie.
4. Maak het bevestigingsblok (2) stevig vast door beide bouten met moer (1) weer aan te draaien.
5. Plaats het achterwiel terug.
6. Herhaal voor het andere wiel.



*Om de hoogte van het voorwiel aan te passen:*

1. Verwijder de M6-schroeven (4) aan beide zijden van het wiel.
2. Schuif het wiel naar boven/beneden in de voorvork (5) tot de gewenste positie.
3. Bevestig het wiel weer stevig aan de voorvork (5) door beide schroeven (4) in het overeenkomstige gat aan te draaien.
4. Herhaal voor het andere wiel. Zorg ervoor dat beide voorwielen en beide achterwielen op dezelfde hoogte zijn gemonteerd.



*Om de hoek van het voorwiel aan te passen:*

1. Verwijder de cover (6) van de voorwielbevestiging.
2. Draai de M8-schroef los.
3. Pas de hoek van het voorwiel aan met de tandverstelling (7). De vorkbevestiging (8) moet loodrecht op de grond staan.
4. Draai de M8-schroef weer stevig aan en plaats de cover (6) terug.
5. Herhaal voor het andere wiel. Zorg ervoor dat beide wielen hetzelfde zijn ingesteld.

Tabel 1: Wielconfiguraties met betrekking tot zithoogte

ZITHOOGTE VOORKANT (in mm)																					
	380	390	400	410	420	430	440	450	460	470	480	490	500	510							
3"	i	i	i	i	i	i		i	i	i											
4"		i	i	i	i	i	i	i	i	i	i	i									
5"				i	i	i	i	i	i	i	i	i	i								
6"						i	i	i	i	i	i	i	i	i							
ZITHOOGTE ACHTERKANT (in mm)																					
	315	325	335	345	355	365	375	385	395	405	415	425	435	445	455	465	475	485	495	505	515
18"	i	i	i	i	i	i	i	i	i	i	i										
20"			i	i	i	i	i	i	i	i	i	i	i								
22"					i	i	i	i	i	i	i	i	i	i	i						
24"								i	i	i	i	i	i	i	i	i	i	i	i		
26"										i	i	i	i	i	i	i	i	i	i	i	i



### 3.2.2 Positie van de achterwielen

De positie van de achterwielen kan traploos worden aangepast:

1. Verwijder het achterwiel met het snelle ontgrendelingssysteem.
2. Aan de binnenzijde van de achterwielbevestiging (9), draai de twee M6 schroeven aan de bovenkant en de drie M6 schroeven aan de onderkant enkele toeren los zodat de wielbevestiging verschoven kan worden.
3. Gebruik de afmetingen (10) aan de buitenkant van het zitframe om de achterwielbevestiging (9) gelijkmatig naar voor/achter te schuiven op het frame, tot de gewenste diepte bereikt is.
4. Draai de vijf M6 schroeven weer stevig aan.
5. Herhaal aan de andere kant: gebruik de afmetingen (10) aan de buitenkant van het zitframe om ervoor te zorgen dat beide achterwielbevestigingen zijn ingesteld op dezelfde diepte.



### 3.2.3 Zitinclinatie

De zitinclinatie kan aangepast worden door de configuratie van de voor- en achterwielen te veranderen. Zie 3.2.1 voor de instructies over het aanpassen van de wielpositie.

### 3.2.4 Inclinatie van de rug

De rugsteun kan aangepast worden in 5 hoekpositioneringen:

1. Trek zachtjes aan de rugband (11) om de rugsteun te ontgrendelen.
2. Verwijder de buitenste schroef (12) uit het scharnierpunt (13).
3. Verplaats de binnenhuls met tweede schroef naar een ander gat, volgens de gewenste hoek. Zet de positie vast met de schroef (12).
4. Herhaal dit voor het tweede scharnierpunt van de rugsteun.
5. Kijk de positie na; trek de rugsteun weer naar achter tot hij vastklikt met de bevestigingspinnen. Zorg ervoor dat beide bevestigingspinnen in dezelfde positie bevestigd zijn.



### 3.2.5 Verwijderbare zijplaat

*Diepte van het paneel (16)*

1. Maak inbusschroef (14) los en verwijder inbusschroef (15).
2. Schuif het paneel (16) voorwaarts/achterwaarts en zet vast door inbusschroef (15) in één van de bevestigingsopeningen aan te draaien. Draai ook schroef (14) weer vast aan.
3. Herhaal voor het andere zijpaneel.

*Hoogte van het paneel (16)*

1. Maak inbusschroef (15) los en verwijder inbusschroef (14).
2. Schuif het paneel (16) naar boven/beneden en zet vast door inbusschroef (14) in één van de bevestigingsopeningen aan te draaien. Draai ook schroef (15) weer vast aan.
3. Herhaal voor het andere zijpaneel.



18

### Hoogte van de volledige zijplaat (18)

1. Verwijder de armsteun van de rolstoel.
2. Verwijder de inbuschroef (17).
3. Plaats de schroef in een ander gat volgens de gewenste hoogte (5 mogelijke posities).
4. Draai de schroef weer stevig aan.
5. Herhaal dit voor de tweede zijplaat.

Zorg ervoor dat beide zijplaten en panelen op dezelfde hoogte werden ingesteld, en dat ze stevig werden vastgezet.



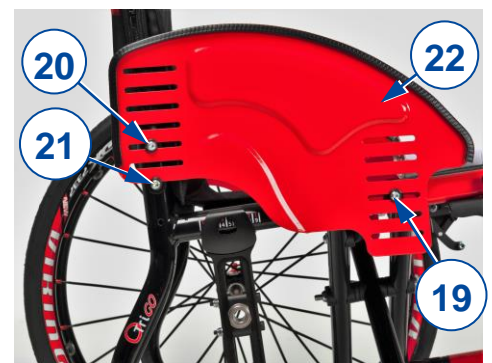
### 3.2.6 Vaste zijplaat

#### Diepte van de zijplaat (22)

1. Maak inbuschroeven (19+20+21) los.
2. Schuif de zijplaat voorwaarts/achterwaarts en draai de schroeven weer aan.

#### Hoogte van de zijplaat (22)

1. Verwijder de inbuschroeven (19+20+21).
2. Verplaats de zijplaat tot de gewenste hoogte en zet vast door de schroeven (19+20) weer stevig aan te draaien in de overeenkomstige openingen. Plaats ook schroef 21 overeenkomstig weer terug.



Herhaal bovenstaande stappen voor de tweede zijplaat. Zorg ervoor dat beide zijplaten op dezelfde hoogte en diepte werden ingesteld, en dat ze stevig werden vastgezet.

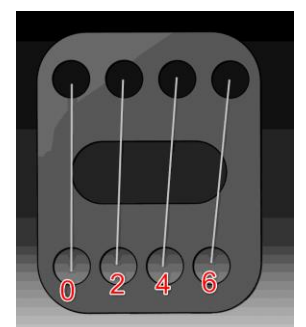
### 3.2.7 Camberhoek van de achterwielen aanpassen

De camberhoek van de achterwielen kan aangepast worden in 4 posities (0°, 2°, 4°, 6°) door de hoek van het bevestigingsblok ten opzichte van de wielbevestiging aan te passen:

1. Verwijder het achterwiel met het snelle ontgrendelingsysteem.
2. Verwijder beide bouten met moer (23) uit het bevestigingsblok (24) voor het achterwiel.
3. Pas de hoek van het bevestigingsblok (12) aan ten opzichte van de wielbevestiging (25). \*
4. Maak het bevestigingsblok (24) weer stevig vast in de juiste hoek door beide bouten met moer (23) weer aan te draaien in de overeenkomstige gaten.
5. Plaats het achterwiel terug.
6. Herhaal voor het andere wiel. Zorg ervoor dat beide achterwielen werden gemonteerd met dezelfde camberhoek.



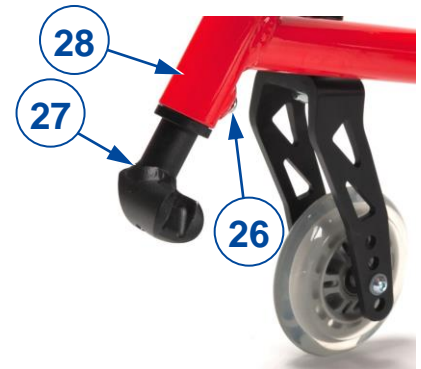
\* Het bevestigingsblok voor het achterwiel is voorzien van vier paren bij elkaar horende gaten. Kies het paar gaten dat overeenstemt met de gewenste camberhoek, zoals te zien op de figuur.



### 3.2.8 Hoogte van de voetplaat

#### **Trigo S (stappen van 10 mm)**

1. Verwijder de M6-schroef uit de achterkant van de voetsteun (26).
2. Schuif de voetplaat (27) omhoog/omlaag in de framebuis (28) tot de gewenste hoogte. Zorg ervoor dat de gaten in de binnen- en buitenbuis overlappen.
3. Draai de M6-schroef weer vast aan.
4. Herhaal voor de andere kant. Zorg ervoor dat beide voetsteunen op dezelfde hoogte werden ingesteld, en dat ze stevig werden vastgezet.



#### **Trigo T (traploos)**

1. Verwijder de M6-schroef uit de achterkant van de voetsteun (26).
2. Schuif de voetplaat (27) omhoog/omlaag in de framebuis (28) tot de gewenste hoogte.
3. Draai de M6-schroef (26) weer vast aan.
4. Herhaal voor de tweede voetsteun. Zorg ervoor dat beide voetsteunen op dezelfde hoogte werden ingesteld, en dat ze stevig werden vastgezet.

### 3.2.9 Hoek van de voetplaat

#### **Trigo T (20° in stappen van 5°)**

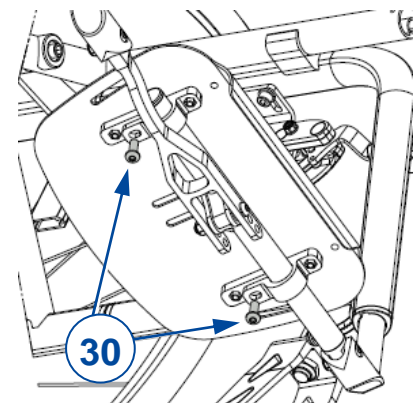
1. Maak de M6-schroef (29) aan de buitenzijde van de voetplaat los.
2. Draai de voetplaat tot de gewenste hoek. Een indicatie van de hoek wordt gegeven door streepjes aan de buitenzijde van de tandverstelling.
3. Draai de M6-schroef (29) weer stevig aan.
4. Herhaal dit voor de tweede voetplaat. Zorg ervoor dat beide voetplaten stevig werden vastgezet.



#### **Trigo S (traploos)**

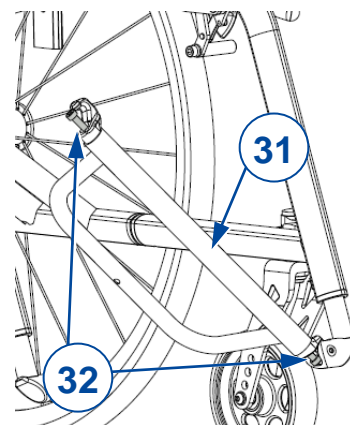
Voor de vouwbare voetplaat:

1. Maak beide M6-schroeven (30) aan de onderkant van de voetplaat los.
2. Draai de voetplaat tot de gewenste hoek.
3. Draai beide schroeven (30) weer stevig aan.



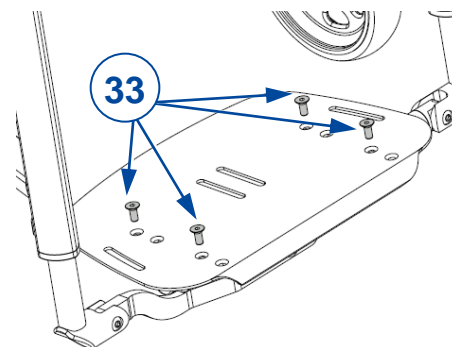
Voor de wegklapbare voetplaat:

1. Op de hoofdbuis (31), draai de M6-schroeven (32) aan beide kanten van de open voetplaat los.
2. Draai de voetplaat tot de gewenste hoek.
3. Draai beide schroeven (32) weer stevig aan.



### 3.2.10 Voetplaat diepte (enkel voor Trigo S, vouwbare voetplaat)

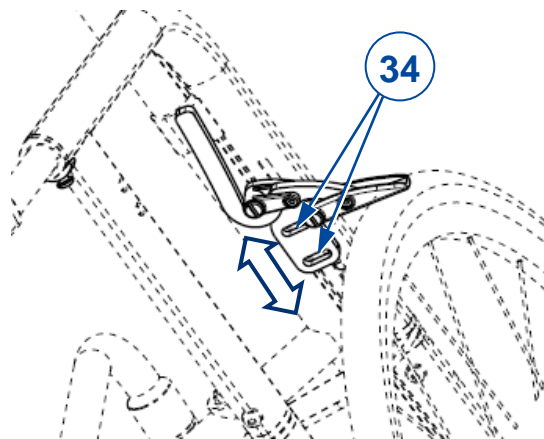
1. Verwijder de vier M5-schroeven (33) uit de voetplaat.
2. Plaats de voetplaat voorwaarts/achterwaarts tot de gewenste diepte (2 mogelijke posities).
3. Draai de M5-schroeven (33) weer stevig aan. Zorg ervoor dat de voetplaat stevig werd vastgemaakt.



### 3.2.11 De parkeerremmen aanpassen

Afhankelijk van de diameter van de achterwielen en hun positie, kunnen de remmen hiermee overeenkomstig worden aangepast. De volgende instructies zijn zowel van toepassing op de duw-trekremmen, als op de sportremmen.

1. Zet de rem los, zie gebruiksaanwijzing.
2. Maak beide schroeven (34) los die de rem aan het frame vastmaken.
3. Schuif de rem voorwaarts/achterwaarts in de sleuf tot de gewenste positie.
4. Draai beide schroeven weer stevig aan.
5. Ga na of de rem correct werkt: het wiel is geblokkeerd, maar de rem kan nog makkelijk bediend worden. Als dit niet het geval is, herhaal dan de bovenstaande stappen totdat de rem correct is ingesteld.
6. Herhaal voor de tweede parkeerrem. Zorg ervoor dat beide parkeerremmen hetzelfde zijn ingesteld.



### 3.3 De pneumatische banden vervangen



CAUTION

Gevaar voor letsel of beschadiging

- Laat voor demontage van de band altijd eerst de lucht uit de band.
- Let erop dat bij de montage geen voorwerpen of lichaamsdelen tussen de band en de velgrand gekneld raken.
- Voor gebruik van de rolstoel dient u te controleren of alle schroeven goed vastzitten.
- Zorg ervoor dat de bandenspanning correct is volgens de aangegeven waarde op de banden.
- Gebruik voor het oppompen van de band enkel geschikte pompen die voldoen aan de regelgeving, en met een afleesschaal in "bar".
- Gebruik enkel vervangingsonderdelen die werden goedgekeurd door Vermeiren.

Om de banden te vervangen, gaat u als volgt te werk:

1. Laat alle lucht uit de binnenband.
2. Schuif een bandenlichter tussen de band en de velg.
3. Duw de bandenlichter zachtjes naar beneden. De buitenband wordt zo over de velgrand getrokken.
4. Schuif de bandenlichter langs de rand van de velg zodat de band eruit springt.
5. Verwijder de band voorzichtig van de velg en haal de binnenband eruit.



Plaats het velglint over het ventiel vooraleer het ventiel in de velg te steken. Het velglint kan u zonder problemen aangebracht worden. Controleer of alle spaakoppen bedekt zijn (bij kunststofvelgen is een velglint niet vereist).



Duw de buitenband over de velgrand, beginnend achter het ventiel. Pomp de binnenband lichtjes op tot hij rond wordt, en plaats hem in de band.



Wanneer de binnenband zonder plooiën in de buitenband past (bij plooiën: laat een beetje lucht uit de binnenband), duw dan de bovenkant van de band zachtjes op de velg met beide handen, beginnend bij het ventiel. Duw het ventiel lichtjes naar binnen en trek het weer uit om ervoor te zorgen dat de band correct geïnstalleerd is in de buurt van het ventiel.



<b>Vorwort</b> .....	<b>2</b>
<b>1 Dieses Produkt</b> .....	<b>3</b>
<b>2 Lieferumfang</b> .....	<b>4</b>
<b>3 Montage und Einstellungen</b> .....	<b>5</b>
3.1 Werkzeuge.....	5
3.2 Benutzerspezifische Einstellung des Rollstuhls .....	6
3.2.1 Sitzhöhe.....	6
3.2.2 Position des Hinterrads.....	7
3.2.3 Sitzneigung .....	7
3.2.4 Neigung der Rückenlehne .....	7
3.2.5 Abnehmbare Seitenteile.....	8
3.2.6 Festes Seitenteil .....	8
3.2.7 Sturzwinkелеinstellung der Hinterräder .....	9
3.2.8 Höhe der Fußplatte .....	9
3.2.9 Fußplattenwinkel.....	9
3.2.10 Fußplattentiefe (nur für Trigo S, faltbare Fußplatte).....	10
3.2.11 Einstellung der Feststellbremse .....	10
3.3 Luftreifen wechseln .....	11

## Vorwort

**DE**

Diese Montageanleitung wird als Leitfaden zur Installation und Reparatur dieses elektrischen Rollstuhls bereitgestellt. Lesen Sie sie daher bitte aufmerksam durch. Sollten Sie nach der Lektüre dieses Handbuchs noch Fragen haben, können Sie sich jederzeit an Vermeiren wenden. Die Hinweise in dieser Anleitung beziehen sich auf folgende/n Rollstuhl/Rollstühle:

- Trigo S mit allen seinen Konfigurationen
- Trigo T mit allen seinen Konfigurationen

### **Wichtiger Hinweis**

Die Produktabbildungen dienen zur Verdeutlichung der Anweisungen. Das gezeigte Produkt kann in Details von Ihrem Produkt abweichen.

### **Verfügbare Informationen**

Auf unserer Webpage <http://www.vermeiren.com/> finden Sie stets die aktuellste Version der folgenden Informationen. Informieren Sie sich bitte regelmäßig auf dieser Website nach eventuell verfügbaren Aktualisierungen.

Sehbehinderte Menschen können sich die elektronische Version dieses Handbuchs herunterladen und mit Hilfe einer Sprachsyntheselösung („Text-to-Speech-Software“) vorlesen lassen.



Benutzerhandbuch  
Für Benutzer und Fachhändler



Montageanleitung  
Für Fachhändler



Servicehandbuch für Rollstühle  
Für Fachhändler



Zeichnungen von (Ersatz)Teilen  
Für Fachhändler



EG-Konformitätserklärung



# 1 Dieses Produkt

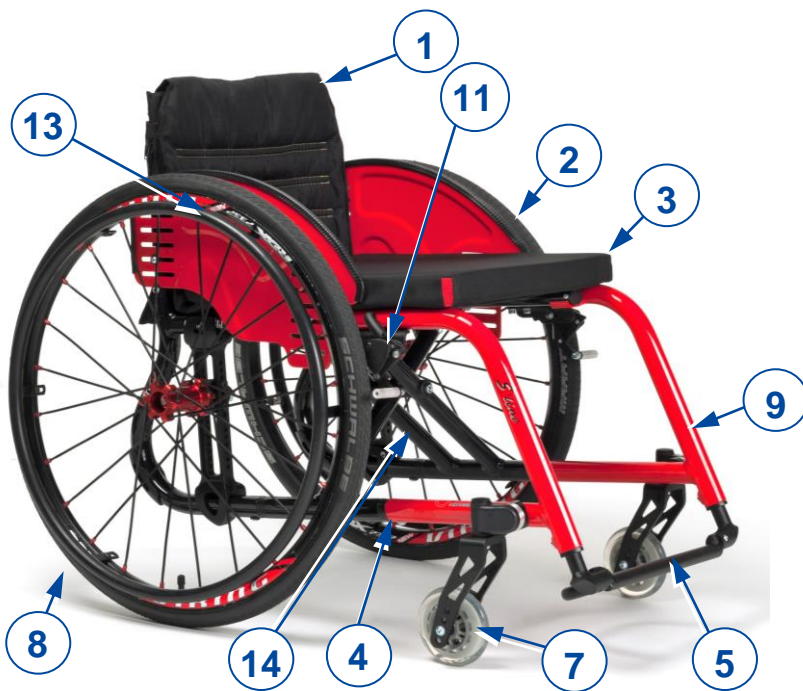


Abbildung 1 Trigo S

1. Rückenlehne
2. Seitenteil (mit optionaler Armlehne)
3. Sitz
4. Rahmen
5. Feste Fußplatte 1x (Trigo S)
6. Abnehmbare Fußplatte 2x (Trigo T)
7. Vorderrad
8. Hinterrad
9. Feste Fußstütze (Trigo S)
10. Abnehmbare Fußstütze (Trigo T)
11. Bremse
12. Schiebestange (optional)
13. Greifring
14. Typenschild



Abbildung 2 Trigo T

## 2 Lieferumfang

Folgende Teile gehören zum Lieferumfang:

- Rahmen
- Seitenteile
- Hinter- und Vorderräder
- Sitz und Rückenpolster
- Fußstützen (\*)
- Werkzeuge
- Benutzerhandbuch für den Rollstuhl
- Zubehör (sofern zutreffend)

Überprüfen Sie vor dem Gebrauch, ob alle Teile vorhanden und unbeschädigt sind.  
Beachten Sie bitte, dass diese Basiskonfiguration in verschiedenen europäischen Ländern abweichen kann. Wenden Sie sich diesbezüglich an Ihren Fachhändler.

(\*) Fest für Trigo S, abnehmbar für Trigo T.

## 3 Montage und Einstellungen

**VORSICHT**

Gefahr von Personen- oder Sachschäden

- Der Rollstuhl muss von einem Fachhändler gemäß den Anweisungen in diesem Abschnitt (de)montiert und eingestellt werden.
- Verwenden Sie ausschließlich die in diesem Handbuch beschriebenen Teile.
- Lassen Sie keine Unbeteiligten den (De)Montagebereich betreten.
- Halten Sie den (De)Montagebereich sauber und aufgeräumt, um Stürze zu vermeiden.
- Halten Sie alle Kleinteile in einem Karton oder Beutel bereit.
- Achten Sie beim (De)Montieren und Betrieb des Rollstuhls darauf, dass keine Gegenstände oder Gliedmaßen zwischen beweglichen Teilen eingeklemmt werden.
- Achten Sie darauf, dass alle Schrauben korrekt angezogen sind, bevor Sie den Rollstuhl benutzen.

### **i** Wichtige Hinweise

- Der Trigo-Rollstuhl hat mehrere Konfigurationsmöglichkeiten und optionale Teile.
- Lesen Sie das Benutzerhandbuch für diesen Rollstuhl.
- Beachten Sie die technischen Details und Einschränkungen für die vorgesehene Benutzung (siehe Benutzerhandbuch).
- Für weitergehende Informationen wenden Sie sich bitte an Ihren Fachhändler.

### 3.1 Werkzeuge

Um den Rollstuhl zu (de)montieren und einzustellen, werden folgende Werkzeuge benötigt:

- Schraubenschlüssel 8
- Innensechskantschlüsselsatz 2,5 - 3 - 4 und 5

## 3.2 Benutzerspezifische Einstellung des Rollstuhls

**DE** ⚠ VORSICHT

Verletzungsgefahr

- Berücksichtigen Sie die möglichen Hinterrad-Vorderrad-Konfigurationen bezüglich der Sitzhöhe, wie in Tabelle 1 erwähnt.
- Stellen Sie sicher, dass beide Vorderräder und beide Hinterräder in derselben Position montiert sind.

### 3.2.1 Sitzhöhe

Der Sitz kann durch Ändern der Radposition, des Durchmessers der Vorder- und der Hinterräder angehoben oder abgesenkt werden.

*Zum Einstellen der Höhe des Hinterrades:*

1. Entfernen Sie das Hinterrad mit dem Schnellspannsystem
2. Entfernen Sie beide Schrauben-Mutterverbindungen (1) vom Hinterradbefestigungsblock (2).
3. Schieben Sie den Befestigungsblock (2) in der Hinterradstütze (3) bis zur gewünschten Höhe nach oben/unten.
4. Befestigen Sie den Befestigungsblock (2), indem Sie beide Schrauben-Mutterverbindungen (1) fest anziehen.
5. Bringen Sie das Hinterrad an.
6. Wiederholen Sie dies für das andere Rad.



*So stellen Sie die Höhe des Vorderrads ein:*

1. Entfernen Sie die M6-Innensechskantschraube (4) auf beiden Seiten des Rads.
2. Bewegen Sie das Rad in der Vorderradgabel (5) nach oben/unten, bis die gewünschte Position erreicht ist.
3. Befestigen Sie das Rad wieder an der Vorderradgabel (5), indem Sie die beiden Schrauben (4) im entsprechenden Loch fest anziehen.
4. Wiederholen Sie dies für das andere Rad. Stellen Sie sicher, dass beide Hinterräder und beide Vorderräder auf die gleiche Höhe eingestellt sind.



*So stellen Sie den Winkel der Vorderräder ein:*

1. Entfernen Sie die Abdeckung (6) von der Vorderradbefestigung.
2. Lösen Sie die M8-Schraube.
3. Stellen Sie den Winkel des Vorderrads mit der Rastklemme (7) ein. Die Gabelbefestigung (8) sollte senkrecht zum Boden stehen.
4. Ziehen Sie die M8-Schraube wieder fest an und setzen Sie die Abdeckung wieder auf (6).
5. Wiederholen Sie dies für das andere Rad. Stellen Sie sicher, dass beide Räder auf den gleichen Winkel eingestellt sind.

Tabelle 1: Sitzhöhen entsprechend der Radaustattung

SITZHÖHE VORNE (in mm)															
	380	390	400	410	420	430	440	450	460	470	480	490	500	510	
3"	i	i	i	i	i	i		i	i	i					
4"		i	i	i	i	i	i	i	i	i	i	i			
5"				i	i	i	i	i	i	i	i	i	i		
6"						i	i	i	i	i	i	i	i	i	

SITZHÖHE HINTEN (in mm)																					
	315	325	335	345	355	365	375	385	395	405	415	425	435	445	455	465	475	485	495	505	515
18"	i	i	i	i	i	i	i	i	i	i	i										
20"			i	i	i	i	i	i	i	i	i	i	i								
22"					i	i	i	i	i	i	i	i	i	i	i						
24"								i	i	i	i	i	i	i	i	i	i	i			
26"										i	i	i	i	i	i	i	i	i	i	i	i

### 3.2.2 Position des Hinterrads

Die Hinterradposition kann stufenlos eingestellt werden:

1. Entfernen Sie das Hinterrad mit dem Schnellspannsystem
2. Lösen Sie an der Innenseite der Hinterradstütze (9) die beiden M6-Schrauben oben und die drei M6-Schrauben unten einige Umdrehungen, bis die Stütze verschoben werden kann.
3. Schieben Sie die hintere Radstütze (9) mithilfe der Maße (10) an der Außenseite des Sitzrahmens gleichmäßig nach hinten/vorne, bis die gewünschte Tiefe erreicht ist.
4. Ziehen Sie die fünf M6-Schrauben fest an.
5. Wiederholen Sie auf der anderen Seite die Messungen (10) am Rahmen, um sicherzustellen, dass beide Hinterradstützen auf dieselbe Tiefe eingestellt sind.



### 3.2.3 Sitzneigung

Die Sitzneigung kann durch Ändern der Konfiguration der Vorder- und Hinterräder eingestellt werden. Siehe 3.2.1 für die Anweisungen zum Ändern der Position der Räder.

### 3.2.4 Neigung der Rückenlehne

Die Rückenlehne kann in 5 Winkelpositionen eingestellt werden:

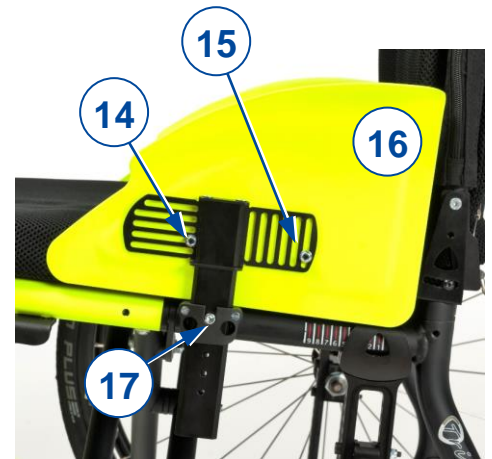
1. Ziehen Sie vorsichtig am Rückengurt (11), bis die Rückenlehne entriegelt ist.
2. Entfernen Sie die äußere Schraube (12) des Scharnierpunkts (13).
3. Verschieben Sie die innere Hülse mit der zweiten Schraube entsprechend dem gewünschten Winkel in ein anderes Loch. Sichern Sie die Position, indem Sie die Schraube (12) wieder festziehen.
4. Wiederholen Sie den Vorgang für die zweite Verbindung der Rückenlehne.
5. Überprüfen Sie die Position, indem Sie die Rückenlehne verschieben, bis sie mit den Sicherungsstiften einrastet. Stellen Sie sicher, dass beide Verriegelungsstifte in derselben Position gesichert sind.



### 3.2.5 Abnehmbare Seitenteile

#### Tiefe des Paneels (16)

1. Lösen Sie die Innensechskantschraube (14) und entfernen Sie die Innensechskantschraube (15).
2. Schieben Sie das Seitenpaneel (16) nach vorne/hinten und ziehen Sie sie mit der Innensechskantschraube (15) in einer der Öffnungen der Halterung fest. Ziehen Sie die Innensechskantschraube (14) wieder fest.
3. Wiederholen Sie dies für das andere Seitenpaneel.



#### Höhe der Platte (16)

1. Lösen Sie die Innensechskantschraube (15) und entfernen Sie die Innensechskantschraube (14).
2. Schieben Sie das Seitenpaneel (16) nach oben/unten und ziehen Sie sie mit der Innensechskantschraube (14) in einer der Öffnungen der Halterung fest. Ziehen Sie die Innensechskantschraube (15) wieder fest.
3. Wiederholen Sie dies für das andere Seitenpaneel.



#### Höhe des kompletten Seitenteils (18)

1. Nehmen Sie das Seitenteil vom Rollstuhl ab.
2. Entfernen Sie die Innensechskantschraube (17).
3. Setzen Sie die Innensechskantschraube entsprechend der gewünschten Höhe in ein anderes Loch ein (5 Positionen verfügbar).
4. Ziehen Sie die Innensechskantschraube wieder fest an.
5. Wiederholen Sie die obigen Einstellungen für das zweite Seitenteil.

Stellen Sie sicher, dass beide Seitenteile und Paneele auf die gleiche Höhe und Tiefe eingestellt sind und dass sie fest sitzen.

### 3.2.6 Festes Seitenteil

#### Tiefe des Seitenteils (22)

1. Lösen Sie die Innensechskantschrauben (19 + 20 + 21).
2. Schieben Sie das Seitenteil nach vorne/hinten und ziehen Sie die Innensechskantschrauben wieder fest.

#### Höhe des Seitenteils (22)

1. Entfernen Sie die Innensechskantschrauben (19 + 20 + 21).
2. Bewegen Sie das Seitenteil auf die gewünschte Höhe nach oben/unten und ziehen Sie es mit den Innensechskantschrauben (19 + 20) in einer seiner Öffnungen fest. Ersetzen Sie entsprechend die Innensechskantschraube 21.



Wiederholen Sie die obigen Einstellungen für das zweite Seitenteil. Stellen Sie sicher, dass beide Seitenteile auf die gleiche Höhe und Tiefe eingestellt sind und dass sie fest sitzen.

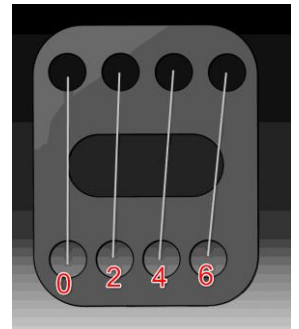
### 3.2.7 Sturzwinkleinstellung der Hinterräder

Der Sturzwinkel der Hinterräder ist in 4 Positionen (0°, 2°, 4°, 6°) einstellbar, indem der Winkel des Hinterradbefestigungsblock in der Hinterradstütze eingestellt wird:

1. Entfernen Sie das Hinterrad mit dem Schnellspannsystem
2. Entfernen Sie beide Schrauben-Mutterverbindungen (23) vom Hinterradbefestigungsblock (24).
3. Stellen Sie den Winkel des Befestigungsblocks (24) relativ zur Hinterradstütze (25) ein. \*
4. Befestigen Sie den Befestigungsblock (24) im richtigen Winkel, indem Sie die Schrauben-Mutterverbindung (23) in den entsprechenden Bohrungen fest anziehen.
5. Bringen Sie das Hinterrad an.
6. Wiederholen Sie dies für das andere Rad. Stellen Sie sicher, dass beide Hinterräder auf dem gleichen Sturzwinkel eingestellt sind.



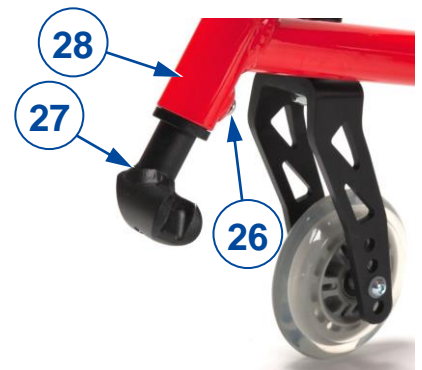
\* Der Befestigungsblock wurde mit vier Sätzen von zwei passenden Löchern ausgestattet. Wählen Sie den Satz, der wie in der Abbildung gezeigt dem erforderlichen Sturzwinkel entspricht,



### 3.2.8 Höhe der Fußplatte

#### Trigo S (10-mm-Stufen)

1. Entfernen Sie die M6-Schraube von der Rückseite der Fußstütze (26).
2. Schieben Sie die Fußplatte (27) im Vorderrahmenrohr (28) bis zur gewünschten Höhe nach oben/unten. Stellen Sie sicher, dass die Löcher des Innen- und Außenrohrs aufeinander ausgerichtet sind.
3. Ersetzen Sie die M6-Schraube (26).
4. Wiederholen Sie dies für die zweite Fußstütze. Vergewissern Sie sich, dass beide Fußstützen auf die gleiche Höhe eingestellt sind und dass sie fest sitzen.



#### Trigo T (stufenlos)

1. Entfernen Sie die M6-Schraube von der Rückseite der Fußstütze (26).
2. Schieben Sie die Fußplatte (27) im Vorderrahmenrohr (28) bis zur gewünschten Höhe nach oben/unten.
3. Ersetzen Sie die M6-Schraube (26).
4. Wiederholen Sie dies für die zweite Fußstütze. Vergewissern Sie sich, dass beide Fußstützen auf die gleiche Höhe eingestellt sind und dass sie fest sitzen.

### 3.2.9 Fußplattenwinkel

#### Trigo T (20° in Schritten von 5°)

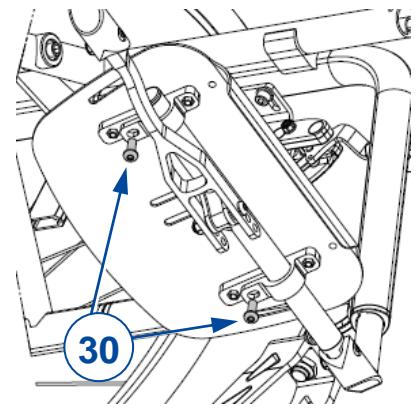
1. Lösen Sie die M6-Schraube (29) an der Außenseite der Fußplatte.
2. Drehen Sie die Fußplatte in den gewünschten Winkel. Die Winkelangabe erfolgt durch Striche an der Außenseite der Rasterklemme.
3. Ziehen Sie die M6-Schraube (29) wieder fest an.
4. Wiederholen Sie dies für die zweite Fußplatte. Stellen Sie sicher, dass beide Fußplatten fest sitzen.



## DE Trigo S (stufenlos)

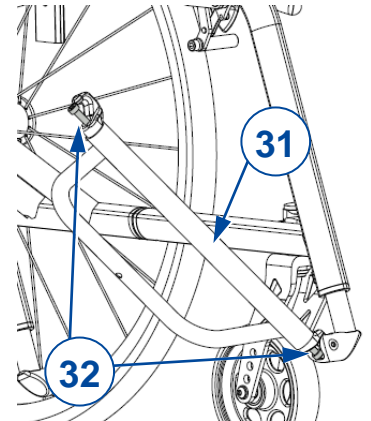
Für die faltbare Fußplatte:

1. Lösen Sie an der Unterseite der Fußplatte beide M6-Schrauben (30).
2. Drehen Sie die Fußplatte bis der gewünschte Winkel erreicht ist.
3. Ziehen Sie beide Schrauben (30) fest an.



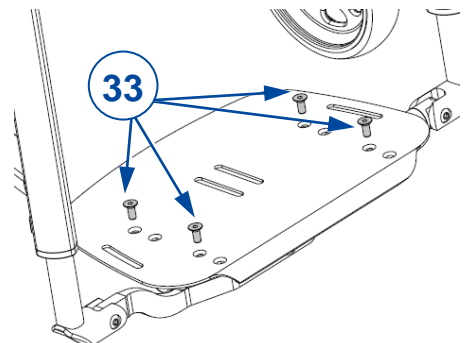
Für die öffnende Fußplatte:

1. Lösen Sie am Hauptrohr (31) die M6-Schrauben (32) auf beiden Seiten der Fußplatte.
2. Drehen Sie die Fußplatte bis der gewünschte Winkel erreicht ist.
3. Ziehen Sie beide Schrauben (32) wieder fest an.



### 3.2.10 Fußplattentiefe (nur für Trigo S, faltbare Fußplatte)

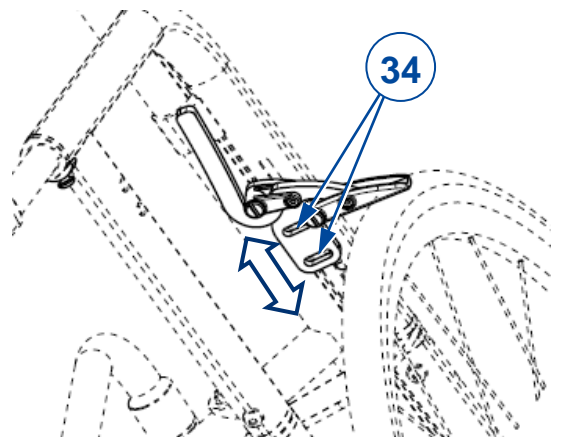
1. Entfernen Sie die vier M5-Schrauben (33) von der Fußplatte.
2. Setzen Sie die Fußplatte bis zur gewünschten Tiefe nach vorne/hinten (2 Positionen verfügbar).
3. Ziehen Sie die M5-Schrauben (33) wieder fest an. Stellen Sie sicher, dass die Fußplatte fest gesichert ist.



### 3.2.11 Einstellung der Feststellbremse

Je nach Durchmesser der Hinterräder und ihrer Position können die Bremsen entsprechend eingestellt werden. Die folgenden Anweisungen gelten sowohl für die Push-Pull-Bremse als auch für die Sportbremse.

1. Lösen Sie die Bremse, siehe Bedienungsanleitung.
2. Lösen Sie die beiden Schrauben (34), die die Bremse mit dem Rahmen verbinden.
3. Schieben Sie die Bremse in den Schlitz nach vorne/hinten, bis die gewünschte Position erreicht ist.
4. Ziehen Sie beide Schrauben fest an.
5. Überprüfen Sie, ob die Bremse ordnungsgemäß funktioniert. Das Rad ist blockiert, aber die Bremse kann immer noch leicht betätigt werden. Wenn dies nicht der Fall ist, wiederholen Sie die obigen Schritte, bis die Bremse gut eingestellt ist.
6. Wiederholen Sie dies für die zweite Feststellbremse. Stellen Sie sicher, dass beide Bremsen gleich eingestellt sind.





### 3.3 Luftreifen wechseln

**⚠ VORSICHT**

Gefahr von Verletzungen und Schäden

- Stellen Sie sicher, dass die gesamte Luft aus dem Reifen abgelassen wird, bevor Sie ihn entfernen.
- Stellen Sie sicher, dass keine Körperteile, der Schlauch oder andere Gegenstände zwischen Reifen und Felge eingeklemmt werden.
- Vergewissern Sie sich, dass alle Schrauben fest von Hand gesichert sind, bevor Sie mit dem Rollstuhl fahren.
- Stellen Sie sicher, dass der Druck korrekt ist, siehe die Druckanzeige auf den Reifen.
- Pumpen Sie den Reifen mit einem Pumpgerät auf, das den Bestimmungen entspricht und über eine Druckanzeige in „bar“ verfügt.
- Verwenden Sie ausschließlich von Vermeiren zugelassene Ersatzteile.

Um den Reifen oder den Schlauch zu wechseln, gehen Sie wie folgt vor:

1. Lassen Sie die gesamte Luft aus dem Schlauch ab.
2. Setzen Sie einen Reifenheber zwischen Reifen und Felge ein.
3. Drücken Sie den Reifenheber vorsichtig nach unten. Dadurch wird der Reifen über den Rand der Felge gezogen.
4. Bewegen Sie den Reifenheber entlang der Felge, damit der Reifen herausspringt.
5. Nehmen Sie den Reifen vorsichtig von der Felge und entfernen Sie den Schlauch.



Platzieren Sie den Felgengurt über dem Luftventil, bevor Sie ihn in die Felge einsetzen. Der Felgengurt kann jetzt leicht übergezogen werden. Stellen Sie sicher, dass alle Speichenköpfe abgedeckt sind (bei Kunststoffrand ist kein Felgengurt erforderlich).



Schieben Sie den Reifen über den Rand der Felge und beginnen Sie hinter dem Luftventil. Pumpen Sie den Schlauch leicht auf, bis er rund ist, und legen Sie ihn in den Reifen.



Wenn der Schlauch ohne Falten in den Reifen passt (bei Falten: lassen Sie etwas Luft heraus), kann beginnend am Luftventil die Oberseite des Reifens mit beiden Händen leicht an die Felge gedrückt werden. Drücken Sie das Luftventil leicht nach innen und ziehen Sie es erneut heraus, um sicherzustellen, dass der Reifen richtig im Bereich des Luftventils positioniert ist.



## Sommaro

IT

<b>Premessa</b> .....	<b>2</b>
<b>1 Questo prodotto</b> .....	<b>3</b>
<b>2 Oggetto della fornitura</b> .....	<b>4</b>
<b>3 Montaggio e regolazioni</b> .....	<b>5</b>
3.1 Attrezzi.....	5
3.2 Regolazione della carrozzina in funzione all'utente .....	6
3.2.1 Altezza del sedile .....	6
3.2.2 Posizione della ruota posteriore.....	7
3.2.3 Inclinazione del sedile.....	7
3.2.4 Inclinazione dello schienale .....	7
3.2.5 Piastra laterale rimovibile.....	8
3.2.6 Piastra laterale fissa.....	8
3.2.7 Regolazione della campanatura delle ruote posteriori .....	9
3.2.8 Altezza della pedana.....	9
3.2.9 Angolazione della pedana.....	9
3.2.10 Profondità della pedana (solo per i modelli della Trigo S con pedana ripiegabile).....	10
3.2.11 Regolazione dei freni di parcheggio.....	10
3.3 Sostituzione degli pneumatici .....	11

## Premessa

**IT**

Questo manuale di installazione viene fornito a supporto delle attività di installazione e riparazione di questa carrozzina manuale. Leggerlo attentamente. Per eventuali ulteriori domande successive alla lettura di questo manuale, rivolgersi a Vermeiren.

Le informazioni contenute in questo manuale sono valide per la seguente carrozzina (o le seguenti carrozzine):

- Trigo S in tutte le sue configurazioni
- Trigo T in tutte le sue configurazioni

### **Nota importante**

Le immagini del prodotto vengono utilizzate per chiarire le istruzioni. I dettagli del prodotto mostrato possono essere diversi da quelli del prodotto in uso.

### **Informazioni disponibili**

**Sul sito Web di Vermeiren, all'indirizzo <http://www.vermeiren.com/>, è sempre disponibile la versione più recente delle informazioni indicate di seguito.** Visitare con regolarità tale sito per verificare l'esistenza di eventuali aggiornamenti.

Le persone ipovedenti possono scaricare la versione elettronica di questo manuale e farlo leggere da un software applicativo di sintesi vocale.



Manuale di istruzioni  
Per l'utente e il rivenditore specializzato



Manuale di installazione  
Per il rivenditore specializzato



Manuale di assistenza per le carrozzine  
Per il rivenditore specializzato



Disegni dei componenti (di ricambio)  
Per il rivenditore specializzato



Dichiarazione di conformità CE

# 1 Questo prodotto

IT

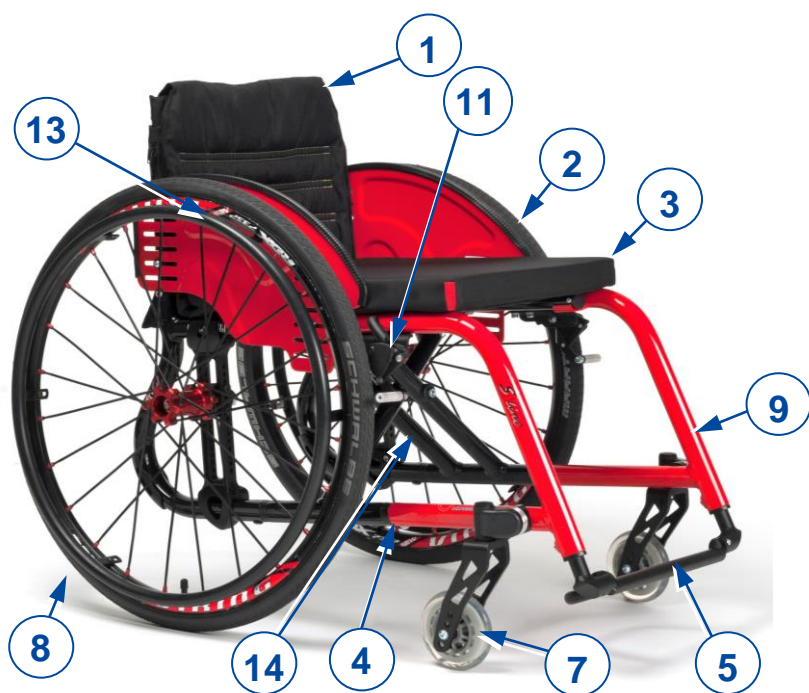


Figura 1 Trigo S

1. Schienale
2. Piastra laterale (con bracciolo opzionale)
3. Sedile
4. Telaio
5. Pedana fissa, 1x (Trigo S)
6. Pedana rimovibile, 2x (Trigo T)
7. Ruota anteriore
8. Ruota posteriore
9. Poggiapiedi fisso (Trigo S)
10. Poggiapiedi rimovibile (Trigo T)
11. Freno
12. Maniglia di spinta (opzionale)
13. Corrimano
14. Targhetta di identificazione



Figura 2 Trigo T

## 2 Oggetto della fornitura

**IT**

Gli articoli indicati di seguito fanno parte della fornitura standard:

- Telaio
- Piastre laterali
- Ruote anteriori e posteriori
- Cuscino del sedile e posteriore
- Poggiapiedi (\*)
- Attrezzi
- Manuale di istruzioni della carrozzina
- Accessori (se presenti)

Prima dell'uso, verificare che siano presenti tutti gli articoli e che nessuno di essi sia danneggiato. Si noti che la configurazione di base può differire nei diversi Paesi europei. Rivolgersi al proprio rivenditore specializzato.

(\*) Fissi per la Trigo S, rimovibili per la Trigo T.

## 3 Montaggio e regolazioni

**⚠ ATTENZIONE**

Rischio di lesioni o di danni

**IT**

- La carrozzina deve essere (s)montata e regolata da un rivenditore specializzato secondo le istruzioni fornite in questo capitolo.
- Utilizzare esclusivamente i componenti e gli attrezzi descritti in questo manuale.
- Evitare l'accesso di estranei all'area di (s)montaggio.
- Per evitare cadute, mantenere pulita e in ordine l'area di (s)montaggio.
- Raccogliere in una scatola o in un sacchetto tutti i componenti di piccole dimensioni.
- Quando si (s)monta e si utilizza la carrozzina, accertarsi che nessun oggetto o parte del corpo venga schiacciato fra i componenti in movimento.
- Prima di mettersi in movimento, accertarsi che tutte le viti siano serrate a fondo.

**i** Osservazioni importanti

- Per la carrozzina Trigo sono disponibili varie opzioni di configurazione e numerosi componenti opzionali.
- Leggere il manuale di istruzioni della carrozzina selezionata.
- Prestare attenzione ai dettagli tecnici e ai limiti dell'uso previsto; vedere il manuale di istruzioni.
- Per ulteriori informazioni, rivolgersi alla più vicina sede Vermeiren.

### 3.1 Attrezzi

Per (s)montare e regolare la carrozzina sono necessari i seguenti attrezzi:

- Serie di chiavi n. 8
- Serie di chiavi per brugole n. 2,5, 3, 4 e 5

## 3.2 Regolazione della carrozzina in funzione all'utente

 **ATTENZIONE**

Rischio di lesioni

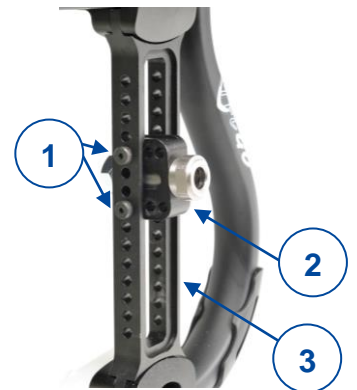
- In relazione all'altezza del sedile, tenere conto delle possibili configurazioni delle ruote anteriori e posteriori, come indicato nella Tabella 1.
- Accertarsi che sia le ruote anteriori, sia quelle posteriori siano montate nella stessa posizione.

### 3.2.1 Altezza del sedile

È possibile sollevare o abbassare il sedile variando la posizione delle ruote e il diametro delle ruote anteriori e posteriori.

*Regolazione dell'altezza delle ruote posteriori:*

1. Rimuovere la ruota posteriore utilizzando il sistema di rilascio rapido.
2. Rimuovere il dado e il bullone dei collegamenti (1) dal blocco di fissaggio (2) della ruota posteriore.
3. Fare scorrere verso l'alto / il basso il blocco di fissaggio (2) nel supporto (3) della ruota posteriore, fino all'altezza desiderata.
4. Fissare il blocco di fissaggio (2) serrando a fondo il dado e il bullone di entrambi i collegamenti (1).
5. Rimontare la ruota posteriore.
6. Ripetere l'operazione per l'altra ruota.



*Regolazione dell'altezza delle ruote anteriori:*

1. Rimuovere le viti M6 (4) presenti su entrambi i lati della ruota.
2. Spostare la ruota verso l'alto / il basso nella forcella anteriore (5) fino alla posizione desiderata.
3. Fissare nuovamente la ruota alla forcella anteriore (5) serrando a fondo entrambe le viti (4) nei rispettivi fori.
4. Ripetere l'operazione per l'altra ruota. Accertarsi che sia le ruote anteriori, sia quelle posteriori siano regolate alla stessa altezza.



*Regolazione dell'angolazione delle ruote anteriori:*

1. Rimuovere il coperchio (6) del dispositivo di fissaggio della ruota anteriore.
2. Allentare la vite M8.
3. Regolare l'angolazione della ruota anteriore utilizzando il morsetto dentato (7). L'attacco (8) della forcella deve essere perpendicolare al suolo.
4. Serrare nuovamente a fondo la vite M8 e reinstallare il coperchio (6).
5. Ripetere l'operazione per l'altra ruota. Accertarsi che entrambe le ruote siano regolate alla stessa angolazione.



**Tabella 1: Configurazioni delle ruote in relazione all'altezza del sedile**

ALTEZZA DEL SEDILE, LATO ANTERIORE (in mm)														
	380	390	400	410	420	430	440	450	460	470	480	490	500	510
3"	i	i	i	i	i	i		i	i	i				
4"		i	i	i	i	i	i	i	i	i	i	i		
5"				i	i	i	i	i	i	i	i	i	i	
6"						i	i	i	i	i	i	i	i	i

ALTEZZA DEL SEDILE, LATO POSTERIORE (in mm)																					
	315	325	335	345	355	365	375	385	395	405	415	425	435	445	455	465	475	485	495	505	515
18"	i	i	i	i	i	i	i	i	i	i	i										
20"			i	i	i	i	i	i	i	i	i	i	i								
22"					i	i	i	i	i	i	i	i	i	i	i						
24"								i	i	i	i	i	i	i	i	i	i	i			
26"										i	i	i	i	i	i	i	i	i	i	i	i



### 3.2.2 Posizione della ruota posteriore

È possibile regolare la posizione della ruota posteriore in modo continuo:

1. Rimuovere la ruota posteriore utilizzando il sistema di rilascio rapido.
2. Sul lato interno del supporto (9) della ruota posteriore, allentare di alcuni giri le due viti superiori M6 e le tre viti inferiori M6, fino a quando è possibile spostare il supporto.
3. Servendosi delle misure (10) presenti sul lato esterno del telaio del sedile, fare scorrere in modo uniforme il supporto (9) della ruota posteriore verso il lato anteriore/posteriore del telaio, fino a raggiungere la profondità desiderata.
4. Serrare a fondo le cinque viti M6.
5. Ripetere l'operazione dall'altro lato utilizzando le misure (10) presenti sul telaio per accertarsi che i supporti di entrambe le ruote posteriori siano regolati alla stessa profondità.



### 3.2.3 Inclinazione del sedile

È possibile regolare l'inclinazione del sedile variando la configurazione delle ruote anteriori e posteriori. Per le istruzioni relative alle modalità di modifica della posizione delle ruote, vedere il paragrafo 3.2.1.

### 3.2.4 Inclinazione dello schienale

È possibile regolare lo schienale su 5 posizioni angolari:

1. Tirare delicatamente la cinghia posteriore (11) fino a quando lo schienale si sblocca.
2. Rimuovere la vite esterna (12) del punto di incernieramento (13).
3. Spostare in un altro foro il manicotto interno con la seconda vite, in base all'angolazione desiderata. Bloccare la posizione serrando nuovamente la vite (12).
4. Ripetere l'operazione per il secondo collegamento dello schienale.
5. Verificare la posizione spostando lo schienale fino a quando non viene bloccato nella posizione corretta dai perni di bloccaggio. Accertarsi che entrambi i perni di bloccaggio siano fissati nella stessa posizione.



### 3.2.5 Piastra laterale rimovibile

#### Profondità del pannello (16)

1. Allentare la vite a brugola (14) e rimuovere la vite a brugola (15).
2. Fare scorrere in avanti / all'indietro il pannello laterale (16) e bloccarlo nuovamente con la vite a brugola (15) in una delle aperture del supporto. Serrare nuovamente la vite a brugola (14).
3. Ripetere l'operazione per l'altro pannello laterale.



#### Altezza del pannello (16)

1. Allentare la vite a brugola (15) e rimuovere la vite a brugola (14).
2. Fare scorrere verso l'alto / il basso il pannello laterale (16) e bloccarlo nuovamente con la vite a brugola (14) in una delle aperture del supporto. Serrare nuovamente la vite a brugola (15).
3. Ripetere l'operazione per l'altro pannello laterale.



#### Altezza dell'intera piastra laterale (18)

1. Rimuovere la piastra laterale dalla carrozzina.
2. Rimuovere la vite a brugola (17).
3. Inserire la vite a brugola in un altro foro, a seconda dell'altezza desiderata (sono disponibili 5 posizioni).
4. Serrare a fondo la vite a brugola.
5. Ripetere per la seconda piastra laterale le regolazioni appena descritte.

Accertarsi che entrambi i pannelli e le piastre laterali siano regolati alla stessa altezza e profondità, e che siano fissati saldamente.

### 3.2.6 Piastra laterale fissa

#### Profondità della piastra laterale (22)

1. Allentare le viti a brugola (19 + 20 + 21).
2. Fare scorrere in avanti / all'indietro la piastra laterale e serrare nuovamente le viti a brugola.

#### Altezza della piastra laterale (22)

1. Rimuovere le viti a brugola (19 + 20 + 21).
2. Spostare verso l'alto / il basso la piastra laterale fino all'altezza desiderata, quindi fissarla nuovamente inserendo le viti a brugola (19 + 20) in una delle sue aperture. Reinstallare di conseguenza la vite a brugola 21.



Ripetere per la seconda piastra laterale le regolazioni appena descritte. Accertarsi che entrambe le piastre laterali siano impostate alla stessa altezza, e che siano fissate saldamente.

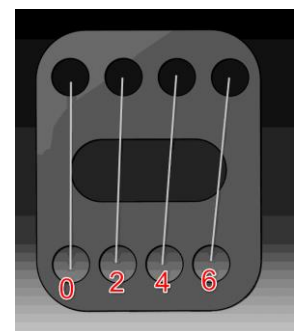
### 3.2.7 Regolazione della campanatura delle ruote posteriori

È possibile regolare la campanatura delle ruote posteriori fra 4 valori (0°, 2°, 4° e 6°) regolando l'angolazione del cubo di fissaggio delle ruote posteriori all'interno dei supporti delle stesse:

1. Rimuovere la ruota posteriore utilizzando il sistema di rilascio rapido.
2. Rimuovere il dado e il bullone dei collegamenti (23) dal blocco di fissaggio (24) della ruota posteriore.
3. Regolare l'angolazione del blocco di fissaggio (24) rispetto al supporto (25) della ruota posteriore. \*
4. Fissare il blocco di fissaggio (24) all'angolazione corretta serrando a fondo il dado e il bullone dei collegamenti (23) nei rispettivi fori.
5. Rimontare la ruota posteriore.
6. Ripetere l'operazione per l'altra ruota. Accertarsi che entrambe le ruote posteriori siano regolate alla stessa campanatura.



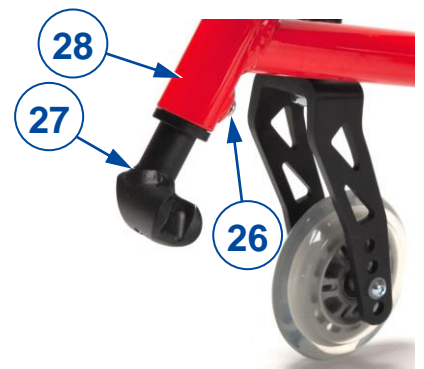
\* Per il blocco di fissaggio sono disponibili quattro serie di fori corrispondenti. Scegliere la serie che corrisponde alla campanatura richiesta, come mostrato nell'immagine.



### 3.2.8 Altezza della pedana

#### Trigo S (intervalli di 10 mm)

1. Rimuovere la vite M6 dal lato posteriore del poggiapiedi (26).
2. Fare scorrere verso l'alto / il basso la pedana (27) nel tubo (28) del telaio anteriore, fino all'altezza desiderata. Accertarsi che i fori del tubo interno e di quello esterno siano allineati.
3. Reinstallare la vite M6 (26).
4. Ripetere l'operazione per il secondo poggiapiedi. Accertarsi che entrambi i poggiapiedi siano regolati alla stessa altezza, e che siano fissati saldamente.



#### Trigo T (regolazione continua)

1. Rimuovere la vite M6 dal lato posteriore del poggiapiedi (26).
2. Fare scorrere verso l'alto / il basso la pedana (27) nel tubo (28) del telaio anteriore, fino all'altezza desiderata.
3. Reinstallare la vite M6 (26).
4. Ripetere l'operazione per il secondo poggiapiedi. Accertarsi che entrambi i poggiapiedi siano regolati alla stessa altezza, e che siano fissati saldamente.

### 3.2.9 Angolazione della pedana

#### Trigo T (20° a intervalli di 5°)

1. Allentare la vite M6 (29) presente sul lato esterno della pedana.
2. Ruotare la pedana fino all'angolazione desiderata. L'angolazione è indicata dai trattini presenti sul lato esterno del morsetto dentato.
3. Serrare nuovamente a fondo la vite M6 (29).
4. Ripetere l'operazione per la seconda pedana. Accertarsi che entrambe le pedane siano fissate saldamente.

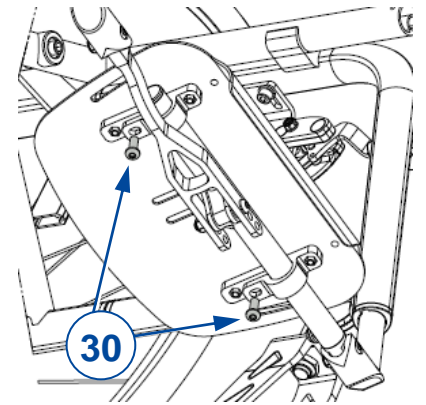


IT

### Trigo S (regolazione continua)

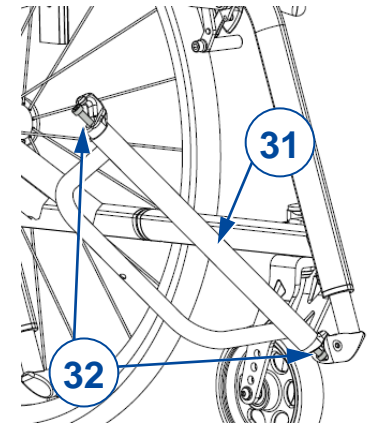
Per la pedana ripiegabile:

1. Allentare entrambe le viti M6 (30) presenti sul lato inferiore della pedana.
2. Ruotare la pedana fino a raggiungere l'angolazione desiderata.
3. Serrare a fondo entrambe le viti (30).



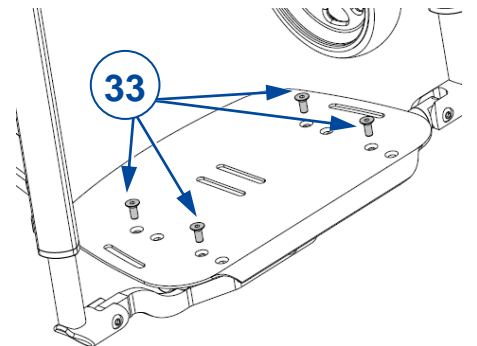
Per la pedana apribile:

1. Sul tubo principale (31), allentare le viti M6 (32) presenti su entrambi i lati della pedana.
2. Ruotare la pedana fino a raggiungere l'angolazione desiderata.
3. Serrare nuovamente a fondo entrambe le viti (32).



### 3.2.10 Profondità della pedana (solo per i modelli della Trigo S con pedana ripiegabile)

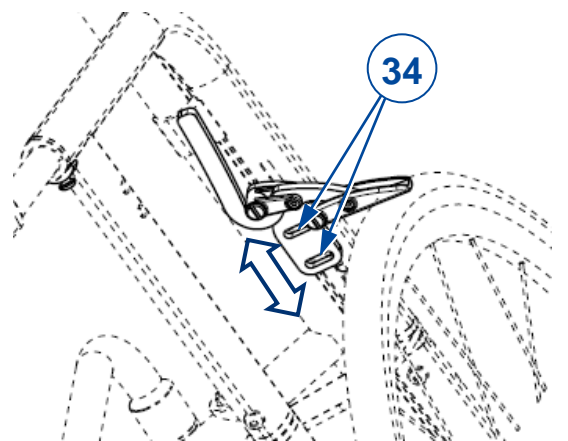
1. Rimuovere dalla pedana le quattro viti M5 (33).
2. Spostare la pedana in avanti / all'indietro, disponendola alla profondità desiderata (sono disponibili 2 posizioni).
3. Serrare nuovamente a fondo le viti M5 (33). Accertarsi che la pedana sia fissata saldamente.



### 3.2.11 Regolazione dei freni di parcheggio

È possibile regolare i freni in funzione del diametro e della posizione delle ruote posteriori. Le istruzioni riportate di seguito sono valide sia per i freni a pressione-trazione, sia per quelli sportivi.

1. Rilasciare il freno; vedere il manuale di istruzioni.
2. Allentare le due viti (34) che collegano il freno al telaio.
3. Fare scorrere il freno in avanti / all'indietro nell'asola fino alla posizione desiderata.
4. Serrare nuovamente a fondo entrambe le viti.
5. Verificare che il freno funzioni correttamente accertandosi che sia ancora possibile azionarlo facilmente ma che le ruote siano bloccate. In caso contrario, ripetere le precedenti operazioni fino a quando il freno non è ben regolato.
6. Ripetere l'operazione per il secondo freno di parcheggio. Accertarsi che entrambi i freni siano regolati allo stesso modo.



### 3.3 Sostituzione degli pneumatici

**⚠ ATTENZIONE**

Rischio di lesioni e danni

- Prima di rimuovere uno pneumatico, verificare che ne sia stata fatta fuoriuscire tutta l'aria.
- Accertarsi che nessuna parte del corpo, né la camera d'aria o altri oggetti, vengano schiacciati fra lo pneumatico e il cerchio.
- Prima di mettere in movimento la carrozzina, accertarsi che tutte le viti siano state serrate a fondo manualmente.
- Verificare che la pressione sia corretta, facendo riferimento all'indicazione riportata sugli pneumatici.
- Gonfiare lo pneumatico con un'apparecchiatura di gonfiaggio a norma di legge, che indichi la pressione in "bar".
- Utilizzare esclusivamente ricambi approvati da Vermeiren.

**IT**

Per cambiare il copertone o la camera d'aria, procedere come segue:

1. Fare fuoriuscire tutta l'aria dalla camera d'aria.
2. Inserire una leva per pneumatici fra il cerchio e lo pneumatico.
3. Spingere delicatamente verso il basso la leva per pneumatici. Tale movimento tira lo pneumatico oltre il bordo del cerchio.
4. Spostare la leva lungo il cerchio, in modo da fare fuoriuscire lo pneumatico.
5. Sfilare con cautela lo pneumatico dal cerchio ed estrarre la camera d'aria.



Collocare la protezione della camera d'aria sulla valvola di gonfiaggio prima di inserirla nel cerchio. A questo punto è possibile tirare facilmente la protezione oltre il bordo. Verificare che tutte le teste dei raggi siano coperte (la protezione della valvola non è necessaria per i cerchi in plastica).



Spingere lo pneumatico oltre il bordo del cerchio, iniziando dietro la valvola di gonfiaggio. Gonfiare leggermente la camera d'aria, fino a quando non diventa rotonda, quindi introdurla nel copertone.



Se la camera d'aria si inserisce nel copertone senza pieghe (in presenza di pieghe fare fuoriuscire una parte dell'aria), è possibile premere leggermente con entrambe le mani il lato superiore del copertone sul cerchio, iniziando in corrispondenza della valvola di gonfiaggio. Spingere delicatamente verso l'interno la valvola di gonfiaggio, quindi estrarla nuovamente per accertarsi che lo pneumatico sia posizionato correttamente nell'area della valvola stessa.



## Contenido

<b>Introducción</b> .....	<b>2</b>
<b>1 El producto</b> .....	<b>3</b>
<b>2 Paquete de entrega</b> .....	<b>4</b>
<b>3 Montaje y ajustes</b> .....	<b>5</b>
3.1 Herramientas .....	5
3.2 Ajustar la silla de ruedas al usuario .....	6
3.2.1 Altura del asiento .....	6
3.2.2 Posición de la rueda trasera .....	7
3.2.3 Inclinación del asiento.....	7
3.2.4 Inclinación del respaldo .....	7
3.2.5 Placa lateral desmontable.....	8
3.2.6 Placa lateral fija .....	8
3.2.7 Ángulo de caída de las ruedas traseras.....	9
3.2.8 Altura de la paleta del reposapiés.....	9
3.2.9 Ángulo de la paleta del reposapiés.....	9
3.2.10 Profundidad de la paleta (solo para Trigo S, paleta plegable) .....	10
3.2.11 Ajuste de los frenos de estacionamiento .....	10
3.3 Cambio de neumáticos .....	11

## Introducción

Le ofrecemos este manual de instalación para ayudarle con la instalación y cualquier reparación de esta silla de ruedas manual. Por favor léalo detenidamente. Si todavía tiene alguna duda después de leer este manual, contacte con Vermeiren.

La información contenida en este manual es aplicable a la(s) siguiente(s) silla(s) de ruedas:

- Trigo S en todas sus configuraciones
- Trigo T en todas sus configuraciones

### **Nota importante**

Hay imágenes del producto para ayudar a explicar las instrucciones. Los detalles del producto mostrado pueden variar con respecto a su producto.

### **Información disponible**

En nuestro sitio web <http://www.vermeiren.com/> siempre encontrará la versión más reciente de la siguiente información. Consulte este sitio web de manera regular para estar al tanto de posibles actualizaciones.

Las personas con discapacidad visual pueden descargarse la versión electrónica del manual y utilizar un software de síntesis de voz para poder oír su contenido.



Manual de instrucciones  
Para el usuario y el distribuidor especializado



Manual de instalación  
Para el distribuidor especializado



Manual de mantenimiento para sillas de ruedas  
Para el distribuidor especializado



Esquemas de las piezas (de recambio)  
Para el distribuidor especializado



Declaración CE de conformidad



# 1 El producto

ES

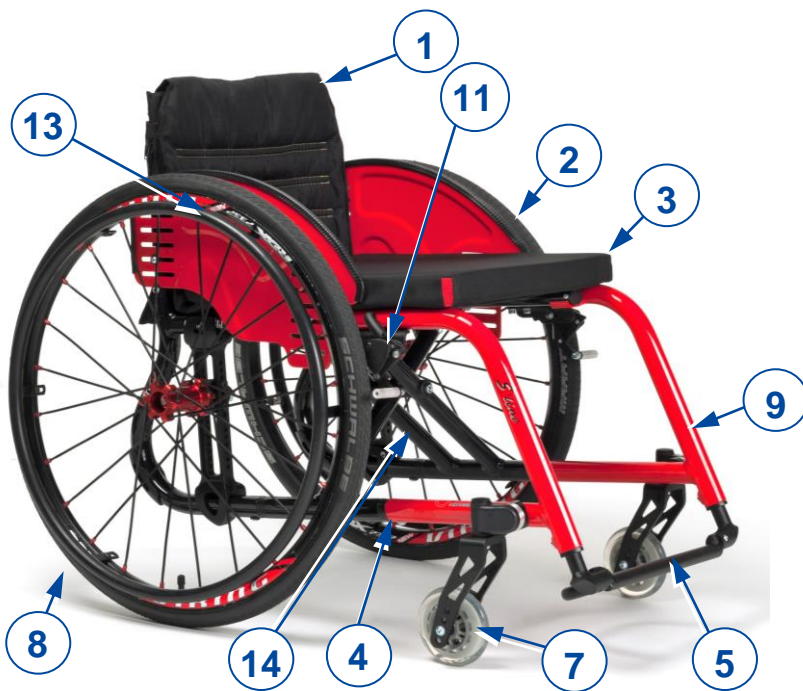


Figura 1 Trigo S

1. Respaldo
2. Placa lateral (con reposabrazos opcional)
3. Asiento
4. Bastidor
5. 1 reposapiés fijo (Trigo S)
6. 2 reposapiés desmontables (Trigo T)
7. Rueda delantera
8. Rueda trasera
9. Reposapiés fijo (Trigo S)
10. Reposapiés desmontable (Trigo T)
11. Freno
12. Empuñadura (opcional)
13. Aro propulsor
14. Placa de identificación



Figura 2 Trigo T

## 2 Paquete de entrega

Los siguientes objetos forman parte de la entrega:

- Bastidor
- Placas laterales
- Ruedas traseras y delanteras
- Cojín de asiento y respaldo
- Reposapiés (\*)
- Herramientas
- Manual de instrucciones de la silla de ruedas
- Accesorios (si procede)

Antes de usar la silla de ruedas, compruebe que todo viene incluido y que ninguna de las piezas esté dañada.

Téngase en cuenta que la configuración básica puede variar en diferentes países de Europa. Consulte con su distribuidor especializado al respecto.

(\*) Fijo en Trigo S, desmontable en Trigo T.

## 3 Montaje y ajustes



### PRECAUCIÓN

Riesgo de lesiones o daños

- La silla de ruedas debe montarla, desmontarla y ajustarla un distribuidor especializado siguiendo las instrucciones recogidas en este capítulo.
- Sólo utilizar las piezas y herramientas descritas en este manual.
- Evitar que entren personas ajenas a la zona de (des)montaje.
- Mantener la zona de (des)montaje limpia y recogida para evitar caídas.
- Colocar todas las piezas pequeñas en una caja o bolsa.
- Mientras se (des)monta y utiliza la silla de ruedas, asegurarse de que no se queden atrapados objetos o partes del cuerpo entre las piezas móviles.
- Asegurarse de que todos los tornillos estén bien fijados antes de ir con la silla de ruedas.



### Observaciones importantes

- La silla de ruedas Trigo tiene varias opciones de configuración y piezas opcionales.
- Léase el manual de usuario de esta silla de ruedas.
- Téngase siempre en cuenta los detalles técnicos y los límites de uso previsto; ver el manual de usuario.
- Para más información, contacte con su centro de Vermeiren más cercano.

### 3.1 Herramientas

Para montar, ajustar y desmontar la silla de ruedas, se necesitan las siguientes herramientas:

- Juego de llaves n.º 8
- Juego de llaves Allen n.º 2.5, 3, 4 y 5

## 3.2 Ajustar la silla de ruedas al usuario

**PRECAUCIÓN** Riesgo de lesiones

- Téngase en cuenta las posibles configuraciones de las ruedas delanteras y traseras en lo que respecta a la altura del asiento, tal y como se menciona en la Tabla 1.
- Asegúrese de que tanto las ruedas delanteras como las traseras están montadas en la misma posición.

### 3.2.1 Altura del asiento

El asiento puede elevarse o bajarse cambiando la posición de las ruedas, el diámetro de las ruedas delanteras y el diámetro de las ruedas traseras.

*Para ajustar la altura de las ruedas traseras:*

1. Retirar la rueda trasera utilizando el sistema de desmontaje rápido.
2. Retirar ambos tornillos y tuercas de conexión (1) del bloque de fijación de la rueda trasera (2).
3. Deslizar el bloque de fijación (2) hacia arriba o abajo por el eje de apoyo de la rueda trasera (3) hasta alcanzar la altura deseada.
4. Asegurar el bloque de fijación (2) apretando ambos tornillos y tuercas (1).
5. Volver a montar la rueda trasera.
6. Repetir el proceso con la otra rueda.



*Para ajustar la altura de las ruedas delanteras:*

1. Retirar los tornillos M6 (4) de ambos lados de la rueda.
2. Deslizar la rueda hacia arriba/abajo por la horquilla frontal (5) hasta alcanzar la posición deseada.
3. Volver a fijar la rueda a la horquilla frontal (5) apretando firmemente ambos tornillos (4) en el orificio adecuado.
4. Repetir el proceso con la otra rueda. Asegurarse de que ambas ruedas traseras y ambas ruedas delanteras están ajustadas a la misma altura.



*Para ajustar el ángulo de las ruedas delanteras:*

1. Retirar la carcasa (6) de la junta de la rueda delantera.
2. Aflojar el tornillo M8.
3. Ajustar el ángulo de la rueda delantera utilizando la brida dentada (7). El eje pivotante (8) debe quedar perpendicular al suelo.
4. Volver a apretar con firmeza el tornillo M8 y coloque de nuevo la carcasa (6).
5. Repetir el proceso con la otra rueda. Asegurarse de que ambas ruedas están ajustadas en el mismo ángulo.

Tabla 1: Configuraciones de las ruedas en lo que respecta a la altura del asiento

ALTURA DEL ASIENTO - RUEDAS DELANTERAS (en mm)														
	380	390	400	410	420	430	440	450	460	470	480	490	500	510
3"	i	i	i	i	i	i		i	i	i				
4"		i	i	i	i	i	i	i	i	i	i	i		
5"				i	i	i	i	i	i	i	i	i	i	
6"						i	i	i	i	i	i	i	i	i

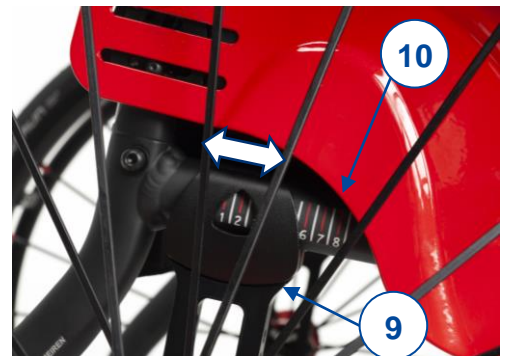
  

ALTURA DEL ASIENTO - RUEDAS TRASERAS (en mm)																					
	315	325	335	345	355	365	375	385	395	405	415	425	435	445	455	465	475	485	495	505	515
18"	i	i	i	i	i	i	i	i	i	i	i										
20"			i	i	i	i	i	i	i	i	i	i	i								
22"					i	i	i	i	i	i	i	i	i	i	i						
24"								i	i	i	i	i	i	i	i	i	i	i			
26"										i	i	i	i	i	i	i	i	i	i	i	i

### 3.2.2 Posición de la rueda trasera

La posición de la rueda trasera es ajustable sin tramos fijos:

1. Retirar la rueda trasera utilizando el sistema de desmontaje rápido.
2. Por la cara interna de eje de soporte de la rueda trasera, aflojar los dos tornillos M6 (9) y los tres tornillos M6 que hay en la parte inferior un par de vueltas hasta que el eje se mueva.
3. Guiándose por las medidas (10) que se indican en la parte exterior del bastidor del asiento, deslizar el eje de soporte de la rueda trasera (9) uniformemente hacia adelante/atrás en el bastidor hasta alcanzar la profundidad deseada.
4. Volver a apretar los cinco tornillos M6.
5. Repetir en el otro lado utilizando las medidas (10) del bastidor para asegurarse de que los dos soportes de la rueda trasera están ajustados a la misma profundidad.



### 3.2.3 Inclinación del asiento

La inclinación del asiento se puede ajustar modificando la configuración de las ruedas delanteras y traseras. Ver 3.2.1 para saber cómo cambiar la posición de las ruedas.

### 3.2.4 Inclinación del respaldo

El respaldo se puede ajustar en 5 ángulos de inclinación diferentes:

1. Tirar suavemente de la cincha trasera (11) hasta que se afloje el respaldo.
2. Retirar el tornillo exterior (12) del punto de articulación (13).
3. Mover el manguito interior con el segundo tornillo a otro orificio según el ángulo deseado. Fijar la posición volviendo a apretar el tornillo (12).
4. Repetir el proceso con el segundo conector del respaldo.
5. Comprobar la posición moviendo el respaldo hasta que quede bloqueado en la posición adecuada por los pasadores de bloqueo. Asegurarse de que los pasadores de bloqueo están configurados en la misma posición.



### 3.2.5 Placa lateral desmontable

#### Profundidad del panel (16)

1. Aflojar el tornillo (14) y retirar el tornillo (15).
2. Deslizar el panel lateral (16) hacia adelante o atrás y volver a apretar el tornillo (15) en una de las aberturas del soporte. Volver a apretar el tornillo (14).
3. Repetir el proceso con el otro panel.

#### Altura del panel (16)

1. Aflojar el tornillo (15) y retirar el tornillo (14).
2. Deslizar el panel lateral (16) hacia arriba/abajo y volver a apretar el tornillo (14) en una de las aberturas del soporte. Volver a apretar el tornillo (15).
3. Repetir el proceso con el otro panel.

#### Altura de la placa lateral completa (18)

1. Retirar la placa lateral de la silla de ruedas.
2. Retirar el tornillo (17).
3. Colocar el tornillo en otro orificio conforme a la altura deseada (5 posiciones disponibles).
4. Volver a apretar el tornillo.
5. Repetir el proceso con la segunda placa lateral.

Asegurarse de que ambas placas y paneles laterales están configurados a la misma altura y profundidad y están bien fijados.



### 3.2.6 Placa lateral fija

#### Profundidad de la placa lateral (22)

1. Aflojar los tornillos (19 +20 +21).
2. Deslizar la placa lateral hacia adelante/atrás y volver a apretar los tornillos.

#### Altura de la placa lateral (22)

1. Retirar los tornillos (19 +20 +21).
2. Deslizar la placa lateral hacia arriba/abajo hasta alcanzar la altura deseada y volver a fijarla apretando los tornillos (19+20) en uno de los orificios. Sustituir el tornillo 21 según corresponda.



Repetir el proceso indicado anteriormente con la segunda placa lateral. Asegurarse de que ambas planchas están configuradas con la misma altura y profundidad y de que permanecen bien sujetas.

### 3.2.7 Ángulo de caída de las ruedas traseras

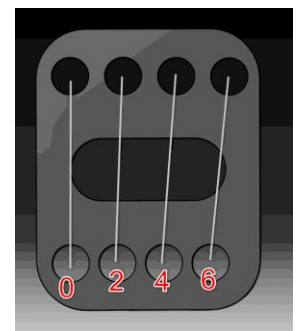
El ángulo de caída de las ruedas traseras puede configurarse en 4 posiciones (0°, 2°, 4°, 6°) ajustando el ángulo del bloque de fijación de la rueda trasera sobre el eje de soporte de la rueda trasera:

1. Retirar la rueda trasera utilizando el sistema de desmontaje rápido.
2. Retirar ambos tornillos y tuercas de conexión (23) del bloque de fijación de la rueda trasera (24).
3. Ajustar el ángulo del bloque de fijación (24) correspondiente al eje de soporte de la rueda trasera (25). \*
4. Atornillar con firmeza el bloque de fijación (24) en el ángulo adecuado apretando los tornillos y tuercas (23) en los orificios que correspondan.
5. Volver a montar la rueda trasera.
6. Repetir el proceso con la otra rueda. Asegurarse de que ambas ruedas están configuradas en el mismo ángulo.



ES

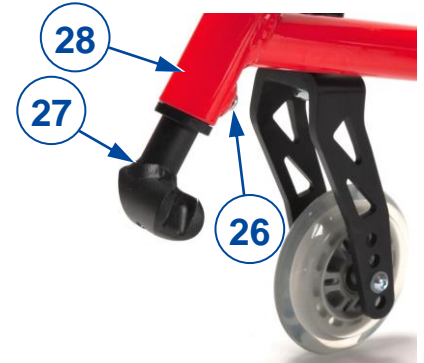
\* El bloque de fijación cuenta con cuatro pares de orificios. Escoger el par de orificios que corresponda al ángulo de caída que prefiera según lo que se indica en la imagen.



### 3.2.8 Altura de la paleta del reposapiés

#### Trigo S (tramos de 10 mm)

1. Retirar el tornillo M6 de la parte trasera del reposapiés (26).
2. Deslizar la paleta (27) hacia arriba o abajo por el tubo del bastidor delantero (28) hasta alcanzar la altura deseada. Asegurarse de que los orificios del tubo exterior y el interior coinciden.
3. Volver a colocar el tornillo M6 (26).
4. Repetir estos pasos con el otro reposapiés. Asegurarse de que ambos reposapiés están configurados a la misma altura y profundidad y están bien fijados.



#### Trigo T (sin tramos)

1. Retirar el tornillo M6 de la parte trasera del reposapiés (26).
2. Deslizar la paleta (27) hacia arriba o abajo por el tubo del bastidor delantero (28) hasta alcanzar la altura deseada.
3. Volver a colocar el tornillo M6 (26).
4. Repetir estos pasos con el otro reposapiés. Asegurarse de que ambos reposapiés están configurados a la misma altura y profundidad y están bien fijados.

### 3.2.9 Ángulo de la paleta del reposapiés

#### Trigo T (20° en tramos de 5°)

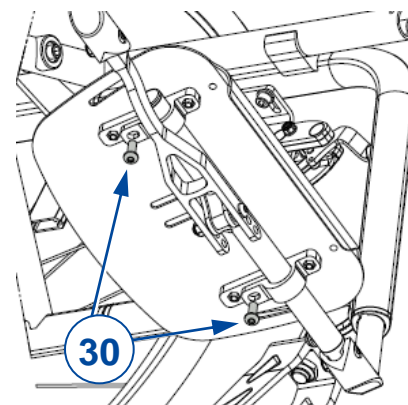
1. Aflojar el tornillo M6 (29) de la parte exterior de la paleta.
2. Girar la paleta al ángulo deseado. Los ángulos se indican mediante las líneas que hay en la parte externa de la brida dentada.
3. Volver a apretar el tornillo M6 (29).
4. Repetir estos pasos con la otra paleta. Asegurarse de que ambas paletas estén bien fijadas.



### Trigo S (sin tramos)

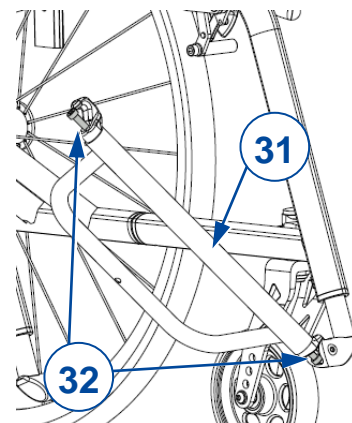
En el caso de la paleta plegable:

1. En la parte inferior de la paleta, afloje ambos tornillos M6 (30).
2. Girar la paleta hasta alcanzar el ángulo deseado.
3. Volver a apretar ambos tornillos (30).



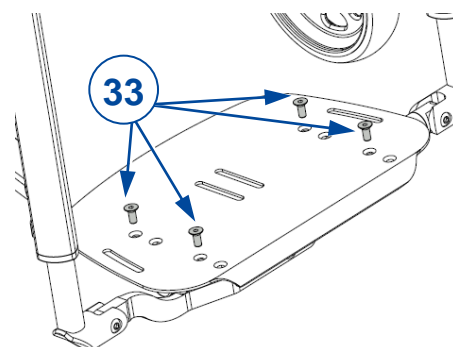
En el caso de la paleta extensible:

1. En el tubo principal (31), aflojar los tornillos M6 (32) de ambos lados de la paleta.
2. Girar la paleta hasta alcanzar el ángulo deseado.
3. Volver a apretar ambos tornillos (32).



### 3.2.10 Profundidad de la paleta (solo para Trigo S, paleta plegable)

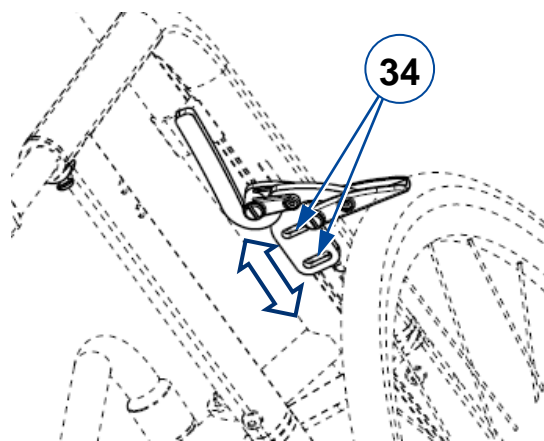
1. Retirar los cuatro tornillos M5 (33) de la paleta.
2. Mover la paleta hacia adelante/atrás hasta alcanzar la profundidad deseada (2 posiciones disponibles).
3. Volver a apretar ambos tornillos M5 (33). Asegurarse de que ambas paletas estén bien fijadas.



### 3.2.11 Ajuste de los frenos de estacionamiento

Dependiendo del diámetro de las ruedas traseras y su posición, pueden ajustarse los frenos según corresponda. Las siguientes instrucciones son de aplicación tanto a los frenos de tambor como a los deportivos.

1. Soltar el freno; ver manual de instrucciones.
2. Aflojar los dos tornillos (34) que conectan el freno con el bastidor.
3. Deslizar el freno hacia adelante/atrás por la ranura hasta alcanzar la posición deseada.
4. Volver a apretar ambos tornillos.
5. Comprobar que el freno funciona; la rueda está bloqueada, pero el freno puede accionarse fácilmente. Si no es así, repetir los pasos anteriores hasta que el freno esté bien ajustado.
6. Repetir estos pasos con el segundo freno de estacionamiento. Asegurarse de que ambos frenos están configurados del mismo modo.





### 3.3 Cambio de neumáticos

**PRECAUCIÓN** Riesgo de lesiones y daños

- Asegurarse de que se ha deshinchado completamente el neumático antes de retirarlo.
- Asegurarse de que no queden atrapados el tubo interno, partes del cuerpo o cualquier otro objeto entre el neumático y la llanta.
- Asegurarse de que todos los tornillos estén bien fijados con la mano antes de utilizar la silla de ruedas.
- Asegurarse de que la presión es correcta; ver la indicación de presión en los neumáticos.
- Hinchar el neumático usando una herramienta de hinchado que cumpla las normativas vigentes y con un indicador de presión en «bar».
- Utilizar solo piezas de repuesto aprobadas por Vermeiren.

**ES**

Para cambiar el neumático o la cámara, siga estos pasos:

1. Deshinchar totalmente la cámara.
2. Insertar un desmontador de neumáticos entre el neumático y la llanta.
3. Empujar suavemente la palanca hacia abajo. Esto hará que el neumático se salga por encima de la llanta.
4. Mover la palanca a lo largo de la llanta para que el neumático vaya saliendo.
5. Retirar el neumático con cuidado de la llanta y sacar la cámara.



Colocar la guía de la llanta en posición por encima de la válvula de aire antes de insertarlo en la llanta. A continuación, la guía de la llanta se puede colocar por encima fácilmente. Comprobar que todos los extremos de los radios están cubiertos (la guía de la llanta no es necesaria en el caso que la llanta sea de plástico).



Presionar el neumático sobre la llanta, empezando por detrás de la válvula. Hinchar la cámara ligeramente hasta que empiece a redondearse y colóquela dentro del neumático.



Cuando la cámara se encuentre dentro de la rueda sin arrugarse (si presenta arrugas, deje salir un poco de aire), se puede montar la parte superior de la rueda con facilidad presionando con ambas manos empezando de nuevo por la válvula. Empujar ligeramente la válvula hacia adentro y tire de ella hacia fuera de nuevo para garantizar que el neumático quede bien colocado alrededor de la válvula.



## Spis treści

<b>Przedmowa</b> .....	<b>2</b>
<b>1 Ten produkt</b> .....	<b>3</b>
<b>2 Zakres dostawy</b> .....	<b>4</b>
<b>3 Montaż i regulacja</b> .....	<b>5</b>
3.1 Narzędzia.....	5
3.2 Regulacja wózka inwalidzkiego do użytkownika .....	6
3.2.1 Wysokość siedziska .....	6
3.2.2 Pozycja tylnego koła .....	7
3.2.3 Nachylenie siedziska .....	7
3.2.4 Nachylenie oparcia .....	7
3.2.5 Zdejmowana płyta boczna .....	7
3.2.6 Stała płyta boczna.....	8
3.2.7 Regulacja kąta pochylenia tylnych kół .....	8
3.2.8 Wysokość podnóżka .....	9
3.2.9 Kąt podnóżka.....	9
3.2.10 Głębokość podnóżka (tylko dla Trigo S, składany podnózek) .....	10
3.2.11 Regulacja hamulców postojowych .....	10
3.3 Wymiana opon pneumatycznych .....	11

## Przedmowa

Niniejsza instrukcja instalacji stanowi pomoc w instalacji i naprawach tego ręcznego wózka inwalidzkiego. Proszę ją dokładnie przeczytać. Jeżeli wciąż mają Państwo pytania związane z niniejszą instrukcją, proszę niezwłocznie skontaktować się z firmą Vermeiren.

Informacje zamieszczone w niniejszej instrukcji dotyczą następujących wózków inwalidzkich:

- Trigo S z wszystkimi konfiguracjami
- Trigo T z wszystkimi konfiguracjami

### **Ważna informacja**

Ilustracje produktu mają na celu objaśnienie instrukcji. Szczegóły odnośnie przedstawionego produktu mogą różnić się od Państwa produktu.

### **Dostępne informacje**

Na naszej stronie internetowej <http://www.vermeiren.com/> można zawsze znaleźć najnowszą wersję informacji. Proszę regularnie sprawdzać tę stronę internetową pod kątem ewentualnych aktualizacji.

Osoby niewidome lub niedowidzące mogą pobrać elektroniczną wersję niniejszej instrukcji i odsłuchać ją przez aplikację programową syntezatora mowy.



Instrukcja obsługi  
Dla użytkownika i specjalistycznego dystrybutora



Instrukcja instalacji  
Dla specjalistycznego dystrybutora



Instrukcja serwisowa dla wózków inwalidzkich  
Dla specjalistycznego dystrybutora



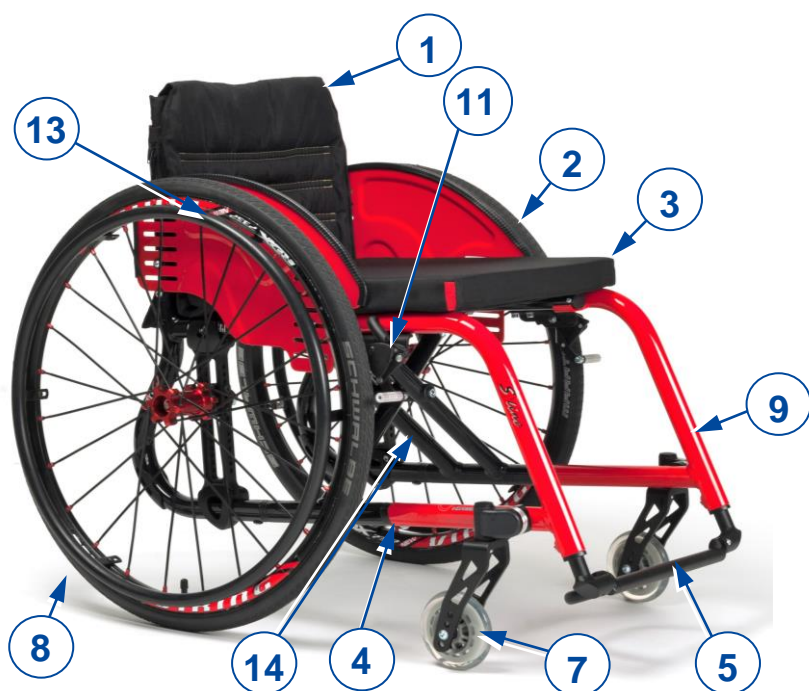
Rysunki części (zamiennych)  
Dla specjalistycznego dystrybutora



Deklaracja zgodności WE

## 1 Ten produkt

PL



Ilustracja 1 Trigo S

1. Oparcie
2. Płyta boczna (z opcjonalnym podłokietnikiem)
3. Siedzisko
4. Rama
5. Stały podnózek 1x (Trigo S)
6. Zdejmowalny podnózek 2x (Trigo T)
7. Przednie koło
8. Tylne koło
9. Stały podnózek (Trigo S)
10. Zdejmowalny podnózek (Trigo T)
11. Hamulec
12. Uchwyt do popychania (opcjonalny)
13. Obręcz napędowa
14. Tabliczka identyfikacyjna



Ilustracja 2 Trigo T

## 2 Zakres dostawy

Poniższe pozycje stanowią część dostawy:

- Rama
- Płyty boczne
- Koła tylne i przednie
- Poduszka siedziska i oparcia
- Podnóżki (\*)
- Narzędzia
- Instrukcja obsługi wózka inwalidzkiego
- Akcesoria (jeżeli dotyczy)

Przed użyciem sprawdzić, czy wszystko zostało dołączone do kompletu i czy żaden produkt nie jest uszkodzony.

Proszę pamiętać, że podstawowa konfiguracja może się różnić w poszczególnych krajach europejskich. Należy skontaktować się ze specjalistycznym dystrybutorem.

(\*) Stałe dla Trigo S, zdejmowane dla Trigo T.

## 3 Montaż i regulacja

**⚠ UWAGA**

Ryzyko obrażeń lub uszkodzeń

- Wózek inwalidzki powinien być (de)montowany i regulowany przez specjalistycznego dystrybutora zgodnie z instrukcjami w niniejszym rozdziale.
- Stosować wyłącznie części i narzędzia opisane w niniejszej instrukcji.
- Nie dopuszczać osób postronnych do obszaru (de) montażu.
- Obszar (de) montażu należy utrzymywać w porządku i czystości, aby zapobiec upadkom.
- Wszystkie drobne części zgromadzić w pudełku lub worku.
- Podczas (de)montażu oraz obsługi wózka inwalidzkiego należy się upewnić, że żadne przedmioty ani części ciała nie zostaną uchwycone pomiędzy ruchomymi częściami.
- Upewnić się przed rozpoczęciem jazdy, że wszystkie śruby zostały mocno przykręcone.

**i** Ważne uwagi

- Wózek inwalidzki ma wiele opcji konfiguracji i opcjonalnych części.
- Proszę zapoznać się z instrukcją tego wózka inwalidzkiego.
- Należy zwracać uwagę na szczegóły techniczne oraz ograniczenia użytkowania zgodnie z przeznaczeniem; patrz instrukcja użytkownika.
- Aby uzyskać dodatkowe informacje proszę skontaktować się z najbliższym przedstawicielem Vermeiren.

### 3.1 Narzędzia

Do (de)montażu i regulacji wózka inwalidzkiego niezbędne są następujące narzędzia:

- Zestaw kluczy nr 8
- Zestaw kluczy imbusowych nr 2.5, 3, 4 i 5

## 3.2 Regulacja wózka inwalidzkiego do użytkownika

**UWAGA** Ryzyko odniesienia obrażeń

- Uwzględnić ewentualną konfigurację tylne koło - przednie koło odnośnie wysokości siedziska, jak przedstawiono w Tabela 1.
- Upewnić się, że zarówno przednie, jak i tylne koła zostały zamontowane w tej samej pozycji.

### 3.2.1 Wysokość siedziska

Siedzisko można podnieść i opuścić zmieniając pozycję koła, średnicę przednich kół oraz średnicę tylnych kół.

**Regulacja wysokości tylnego koła:**

1. Zdjąć tylne koło za pomocą systemu szybkiego zwalniania.
2. Odkręcić oba połączenia śruba-nakrętka (1) od kostki mocującej tylnego koła (2).
3. Przesunąć kostkę mocującą (2) w górę/w dół na podporze tylnego koła (3) do wymaganej wysokości.
4. Przymocować kostkę mocującą (2) dokręcając mocno oba połączenia śruba-nakrętka (1).
5. Ponownie zamontować tylne koło.
6. Powtórzyć czynność na drugim kole.



**Regulacja wysokości przedniego koła:**

1. Odkręcić śruby M6 (4) z obu stron koła.
2. Przesunąć koło w górę/w dół w przednim widelcu (5) do żądanej pozycji.
3. Ponownie zamontować koło do przedniego widelca (5) mocno przykręcając obie śruby (4) w odpowiednim otworze.
4. Powtórzyć czynność na drugim kole. Upewnić się, że zarówno tylne, jak i przednie koła zostały ustawione na tą samą wysokość.



**Regulacja kąt przednich kół:**

1. Zdjąć pokrywę (6) mocowania przedniego koła.
2. Poluzować śrubę M8.
3. Wyregulować kąt przedniego koła za pomocą ząbkowanego zacisku (7). Mocowanie widelca (8) powinno być prostopadłe do podłoża.
4. Dokręcić mocno śrubę M8 i założyć pokrywę (6).
5. Powtórzyć czynność na drugim kole. Upewnić się, że oba koła zostały ustawione pod tym samym kątem.

Tabela 1: Konfiguracja kół dla wysokości siedziska

WYSOKOŚĆ SIEDZISKA Z PRZODU (w mm)																					
	380	390	400	410	420	430	440	450	460	470	480	490	500	510							
3"	i	i	i	i	i	i		i	i	i											
4"		i	i	i	i	i	i	i	i	i	i										
5"				i	i	i	i	i	i	i	i	i	i								
6"						i	i	i	i	i	i	i	i	i							
WYSOKOŚĆ SIEDZISKA Z TYŁU (w mm)																					
	315	325	335	345	355	365	375	385	395	405	415	425	435	445	455	465	475	485	495	505	515
18"	i	i	i	i	i	i	i	i	i	i	i										
20"			i	i	i	i	i	i	i	i	i	i	i								
22"					i	i	i	i	i	i	i	i	i	i	i						
24"									i	i	i	i	i	i	i	i	i	i	i		
26"										i	i	i	i	i	i	i	i	i	i	i	i



### 3.2.2 Pozycja tylnego koła

Pozycja tylnego koła może być regulowana bezstopniowo:

1. Zdjąć tylne koło za pomocą systemu szybkiego zwalniania.
2. Wewnątrz podpory tylnego koła (9) odkręcić dwie śruby M6 u góry i trzy śruby M6 u dołu o kilka obrotów do momentu, w którym będzie można przesunąć podporę.
3. Korzystając z podziałek (10) na zewnątrz ramy siedziska przesunąć równomiernie podporę tylnego koła (9) do tyłu/przodu ramy do momentu osiągnięcia żądanej głębokości.
4. Mocno dokręcić pięć śrub M6.
5. Powtórzyć z drugiej strony korzystając z podziałek (10) na ramie, aby się upewnić, że obie podpory tylnego koła są wyregulowane na tę samą głębokość.



PL

### 3.2.3 Nachylenie siedziska

Nachylenie siedziska można wyregulować zmieniając konfigurację przednich i tylnych kół. Patrz 3.2.1 odnośnie instrukcji zmiany pozycji kół.

### 3.2.4 Nachylenie oparcia

Oparcie można wyregulować w 5 pozycjach kątowych:

1. Delikatnie pociągnąć tylny pasek (11) do momentu odblokowania oparcia.
2. Odkręcić tylną śrubę (12) punktu zaczepu (13).
3. Przesunąć wewnętrzną tuleję z drugą śrubą do innego otworu, odpowiednio dożądanego kąta. Zablokować pozycję dokręcając śrubę (12).
4. Powtórzyć dla drugiego połączenia oparcia.
5. Sprawdzić pozycję przesuwając oparcie do momentu zablokowania za pomocą trzpieni blokujących. Upewnić się, że oba trzpienie blokujące zostały zabezpieczone w tym samym położeniu.



### 3.2.5 Zdemontowana płyta boczna

Głębokość panelu (16)

1. Odkręcić śrubę z gniazdem imbusowym (14) i wyjąć śrubę z gniazdem imbusowym (15).
2. Przesunąć boczny panel (16) do przodu / do tyłu i dokręcić za pomocą śruby z gniazdem imbusowym (15) w jednym z otworów podpory. Ponownie dokręcić śrubę z gniazdem imbusowym (14).
3. Powtórzyć dla drugiego panelu bocznego.



### Wysokość panelu (16)

1. Odkręcić śrubę z gniazdem imbusowym (15), wyjąć śrubę z gniazdem imbusowym (14).
2. Przesunąć boczny panel (16) w górę / w dół i dokręcić za pomocą śruby z gniazdem imbusowym (14) w jednym z otworów podpory. Ponownie dokręcić śrubę z gniazdem imbusowym (15).
3. Powtórzyć dla drugiego panelu bocznego.



### Wysokość kompletnej płyty bocznej (18)

1. Wyjąć płytę boczną z wózka.
2. Wyjąć śrubę z gniazdem imbusowym (17).
3. Włożyć śrubę z gniazdem imbusowym do drugiego otworu, odpowiednio do żądanej wysokości (dostępnych jest 5 pozycji).
4. Mocno dokręcić śrubę z gniazdem imbusowym.
5. Powtórzyć powyższe regulacje dla drugiej płyty bocznej.

Upewnić się, że obie boczne płyty i panele są ustawione na tę samą wysokość i głębokość i że zostały mocno przykręcone.

## 3.2.6 Stała płyta boczna

### Głębokość płyty bocznej (22)

1. Odkręcić śruby z gniazdem imbusowym (19+20+21).
2. Przesunąć płytę boczną do przodu / do tyłu i dokręcić śruby z gniazdem imbusowym.

### Wysokość płyty bocznej (22)

1. Wyjąć śruby z gniazdem imbusowym (19+20+21).
2. Przesunąć płytę boczną w górę / w dół na żądaną wysokość i dokręcić ją śrubami z łbem imbusowym (19+20) i jednym z otworów. Odpowiednio włożyć śrubę z gniazdem imbusowym 21.



Powtórzyć powyższą regulację dla drugiej płyty bocznej. Upewnić się, że obie płyty boczne są ustawione na tę samą wysokość i głębokość oraz że zostały mocno dokręcone.

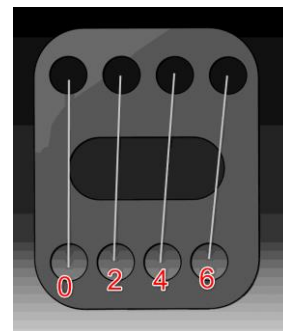
## 3.2.7 Regulacja kąta pochylecia tylnych kół

Kąt nachylecia tylnych kół można ustawić w 4 pozycjach (0°, 2°, 4°, 6°) regulując kąt kostki mocującej tylnego koła w podporze tylnego koła:

1. Zdjąć tylne koło za pomocą systemu szybkiego zwalniania.
2. Odkręcić oba połączenia śruba-nakrętka (23) od kostki mocującej tylnego koła (24).
3. Wyregulować kąt kostki mocującej (24) względem podpory tylnego koła (25). \*
4. Przymocować kostkę mocującą (24) pod odpowiednim kątem, mocno dokręcając połączenia śruba-nakrętka w odpowiednich otworach.
5. Ponownie zamontować tylne koło.
6. Powtórzyć czynność dla drugiego koła. Upewnić się, że oba tylne koła zostały ustawione pod takim samym kątem nachylecia.



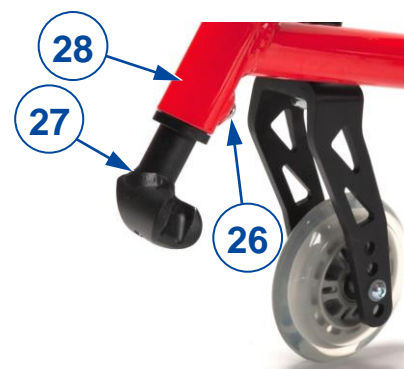
\* Kostka mocująca została wyposażona w cztery komplety śrub dopasowania. Wybrać komplet, który odpowiada wymaganemu kątowi nachylenia jak pokazano na ilustracji.



### 3.2.8 Wysokość podnóżka

#### **Trigo S (w stopniach co 10 mm)**

1. Odkręcić śrubę M6 w tylnej części podnóżka (26).
2. Przesunąć podnóżek (27) w górę/w dół na rurze ramy przedniej (28) do wymaganej wysokości. Upewnić się, że otwory wewnętrznej i zewnętrznej rury zostały wyrównane.
3. Włożyć śrubę M6 (26).
4. Powtórzyć dla drugiego podnóżka. Upewnić się, że oba podnóżki są ustawione na tę samą wysokość że zostały mocno przykręcone.



#### **Trigo T (bezstopniowy)**

1. Odkręcić śrubę M6 w tylnej części podnóżka (26).
2. Przesunąć podnóżek (27) w górę/w dół na rurze ramy przedniej (28) do wymaganej wysokości.
3. Włożyć śrubę M6 (26).
4. Powtórzyć dla drugiego podnóżka. Upewnić się, że oba podnóżki są ustawione na tę samą wysokość że zostały mocno przykręcone.

### 3.2.9 Kąt podnóżka

#### **Trigo T (20° w krokach co 5°)**

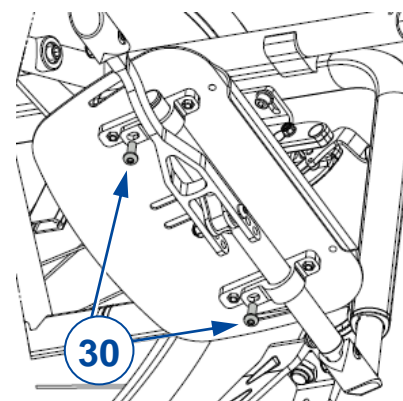
1. Odkręcić śruby M6 (29) na zewnątrz podnóżka.
2. Obrócić podnóżek dożądanego kąta. Wskazanie kąta jest określone za pomocą kresek na zewnątrz ząbkowanego zacisku.
3. Ponownie dokręcić śrubę M6 (29).
4. Powtórzyć dla drugiego podnóżka. Upewnić się, że oba podnóżki są mocno dokręcone.



#### **Trigo S (bezstopniowy)**

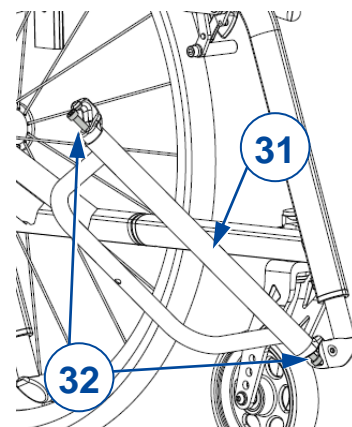
*Dla składanego podnóżka:*

1. U dołu podnóżka odkręcić obie śruby M6 (30).
2. Obrócić podnóżek do uzyskania żądanego kąta.
3. Dokręcić mocno obie śruby (30).



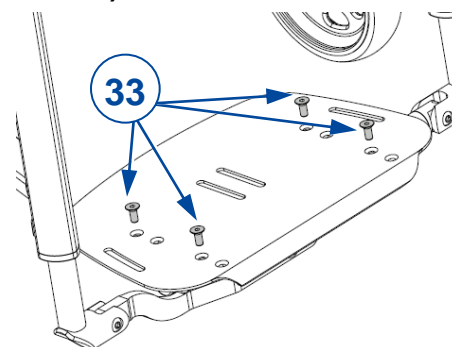
### Otwieranie podnóżka:

1. Na rurze głównej (31) odkręcić śruby M6 (32) z obu stron podnóżka.
2. Obrócić podnóżek do uzyskaniażądanego kąta.
3. Dokręcić mocno obie śruby (32).



### 3.2.10 Głębokość podnóżka (tylko dla Trigo S, składany podnóżek)

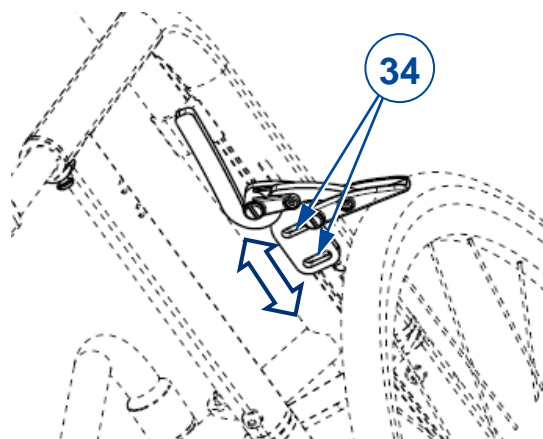
1. Odkręcić cztery śruby M5 (33) od podnóżka.
2. Umieścić podnóżek do przodu/do tyłu dożądanego głębokości (dostępne 2 pozycje).
3. Dokręcić mocno śruby M5 (33). Upewnić się, że podnóżek jest mocno dokręcony.



### 3.2.11 Regulacja hamulców postojowych

W zależności od średnicy tylnych kół oraz ich pozycji można odpowiednio ustawić hamulce. Poniższa instrukcja dotyczy zarówno hamulców dźwigniowych, jak i hamulców sportowych.

1. Zwolnić hamulec, patrz instrukcja obsługi.
2. Odkręcić dwie śruby (34) łączące hamulec z ramą.
3. Przesunąć hamulec do przodu/do tyłu w szczelinie dożądanego pozycji.
4. Dokręcić mocno obie śruby.
5. Sprawdzić, czy hamulec działa prawidłowo; koło jest zablokowane, lecz hamulec może wciąż być z łatwością obsługiwany. Jeżeli tak nie jest, powtórzyć powyższe kroki do momentu, w którym hamulec zostanie prawidłowo ustawiony.
6. Powtórzyć dla drugiego hamulca postojowego. Upewnić się, że oba hamulce zostały ustawione identycznie.



### 3.3 Wymiana opon pneumatycznych

**UWAGA** Ryzyko obrażeń i uszkodzeń

- Przed zdjęciem opony należy się upewnić, że zostało z niej usunięte całe powietrze.
- Upewnić się, że pomiędzy oponą i obręczą nie dojdzie do zablokowania części ciała, dętki lub innych przedmiotów.
- Upewnić się, że wszystkie śruby zostały mocno przykręcone ręką przed rozpoczęciem jazdy wózkiem inwalidzkim.
- Upewnić się, że ciśnienie jest prawidłowe, patrz informacja o ciśnieniu na oponach.
- Napompować oponę za pomocą pompki zgodnej z przepisami i ze wskazaniem ciśnienia w „bar”.
- Używać tylko części zamiennych zatwierdzonych przez Vermeiren.

Aby wymienić oponę lub dętkę, należy postępować w następujący sposób:

1. Spuścić całe powietrze z dętki.
2. Włożyć łyżkę do opon pomiędzy oponę i obręcz.
3. Delikatnie popchnąć łyżkę do opon w dół. Spowoduje to wypchnięcie opony poza krawędź obręczy.
4. Przesunąć łyżkę wzdłuż obręczy, zrzucając z niej oponę.
5. Ostrożnie zdjąć oponę z obręczy i wyjąć dętkę.



Umieścić pas obręczy w pozycji nad zaworem powietrza przed włożeniem do obręczy. Teraz można z łatwością nałożyć pas obręczy. Sprawdzić, czy wszystkie główki szprych są zakryte (pas obręczy nie jest wymagany w przypadku obręczy z tworzywa).



Nałożyć oponę na krawędź obręczy, rozpoczynając za zaworem powietrza. Napompować lekko dętkę tak, aby się przybrała okrągły kształt i włożyć ją do wewnątrz opony.



Jeżeli dętka pasuje do wnętrza opony bez zawijania (w przypadku zawijania: wypuścić nieco powietrza), można lekko docisnąć górną część opony do obręczy obiema rękami, począwszy od zaworu powietrza. Lekko wepchnąć zawór powietrza do wewnątrz i ponownie wyjąć, aby się upewnić, że opona została prawidłowo umieszczona w regionie zaworu powietrza.



## Obsah

<b>Předmluva .....</b>	<b>2</b>
<b>1 Tento výrobek.....</b>	<b>3</b>
<b>2 Rozsah dodávky.....</b>	<b>4</b>
<b>3 Montáž a seřízení .....</b>	<b>5</b>
3.1 Nástroje .....	5
3.2 Seřízení invalidního vozíku pro uživatele .....	6
3.2.1 Výška sedadla .....	6
3.2.2 Poloha zadního kola .....	7
3.2.3 Náklon sedadla .....	7
3.2.4 Náklon opěradla.....	7
3.2.5 Odstranitelná boční deska .....	8
3.2.6 Pevná boční deska .....	8
3.2.7 Nastavení úhlu odklonu zadních kol .....	9
3.2.8 Výška stupátka .....	9
3.2.9 Úhel nožní desky .....	9
3.2.10 Hloubka stupátka (jen pro Trigo S, sklopné stupátko).....	10
3.2.11 Seřízení parkovacích brzd .....	10
3.3 Výměna pneumatik .....	11

## Předmluva

Tento návod k instalaci slouží k tomu, aby vám pomáhal s instalací a opravami tohoto ručně ovládaného invalidního vozíku. Řádně si jej přečtěte. Máte-li po přečtení tohoto návodu nějaké dotazy, obraťte se bez obav na společnost Vermeiren.

Informace v tomto návodu platí pro všechny následující invalidní vozíky:

- Trigo S se všemi konfiguracemi
- Trigo T se všemi konfiguracemi

**CS**

### **Důležitá poznámka**

Obrázky výrobku slouží pouze k upřesnění pokynů. Detaily výrobku na obrázcích se mohou od daného výrobku lišit.

### **Dostupné informace**

Nejnovější verzi následujících informací vždy naleznete na našich webových stránkách <http://www.vermeiren.com/>. Tyto webové stránky pravidelně navštěvujte pro případné aktualizace.

Osoby se zrakovým postižením si mohou stáhnout elektronickou verzi tohoto návodu, kterou jim může přečíst softwarová aplikace text-to-speech.



Návod k obsluze  
Pro uživatele a odborného prodejce



Návod k instalaci  
Pro odborného prodejce



Servisní příručka pro invalidní vozíky  
Pro odborného prodejce



Výkresy (náhradních) dílů  
Pro odborného prodejce

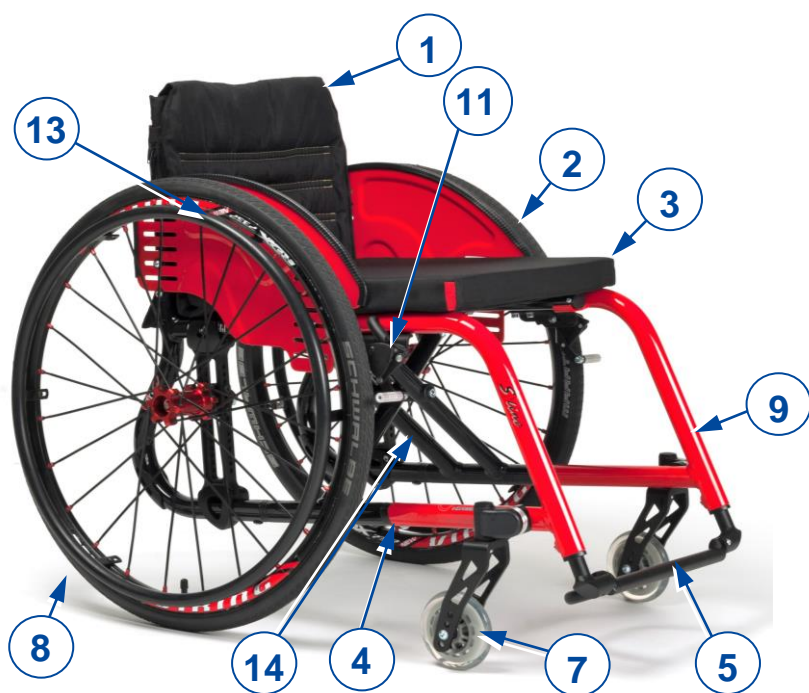


Prohlášení o shodě (ES)



# 1 Tento výrobek

CS



Obrázek 1 Trigo S

1. Opěradlo
2. Boční deska (s volitelnou područkou)
3. Sedadlo
4. Rám
5. Pevná podnožka 1x (Trigo S)
6. Odstranitelná podnožka 2x (Trigo T)
7. Přední kolo
8. Zadní kolo
9. Pevná podnožka (Trigo S)
10. Odstranitelná podnožka (Trigo T)
11. Brzda
12. Tlačná rukojeť (volitelná)
13. Ruční ráfek
14. Identifikační štítek



Obrázek 2 Trigo T

## 2 Rozsah dodávky

Součástí dodávky jsou následující položky:

- Rám
- Boční desky
- Zadní a přední kola
- Sedadlo a polštář opěradla
- Podnožky (\*)
- Nástroje
- Návod k obsluze invalidního vozíku
- Příslušenství (případné)

Před použitím zkontrolujte, že nic nechybí a že nejsou žádné produkty poškozeny.

Poznámka: základní konfigurace se může v různých evropských zemích lišit. Obráťte se na odborného prodejce.

(\*) Pevné pro Trigo S, odstranitelné pro Trigo T.

## 3 Montáž a seřízení

### UPOZORNĚNÍ Riziko zranění či poškození

- Invalidní vozík musí být (de)montován a seřízen odborným prodejcem podle pokynů v této kapitole.
- Používejte pouze díly a nástroje popsané v tomto návodu.
- Zajistěte, aby do oblasti sestavení nebo rozložení nevstupovaly jiné osoby.
- V oblasti sestavení/rozložení udržujte čistotu a pořádek, aby nedošlo k pádu.
- Všechny malé díly uložte do krabice nebo sáčku.
- Při (de)montáži a provozu invalidního vozíku musíte zajistit, aby se mezi díly neskříply žádné předměty ani části těla.
- Před jízdou ověřte, že jsou všechny šrouby řádně utaženy.

### **i** Důležité poznámky

- Invalidní vozík Trigo disponuje více možnostmi konfigurace a volitelnými částmi.
- Přečtěte si návod k obsluze tohoto invalidního vozíku.
- Uvědomte si technické údaje a limity zamýšleného použití; viz návod k obsluze.
- O další informace požádejte svůj nejbližší podnik Vermeiren.

### 3.1 Nástroje

Pro (de)montáž a seřízení invalidního vozíku jsou potřeba následující nástroje:

- Sada plochých klíčů č. 8
- Sada inbusových klíčů č. 2,5, 3, 4 a 5

## 3.2 Seřízení invalidního vozíku pro uživatele

### UPOZORNĚNÍ Riziko zranění

- Berte v úvahu možné konfigurace zadních a předních kol s ohledem na výšku sedadla, jak je uvedeno v Tabulka 1.
- Ujistěte se, že jsou obě přední kola a obě zadní kola namontovaná ve stejné poloze.

### 3.2.1 Výška sedadla

Sedadlo lze zvednout nebo snížit změnou polohy kol, průměru předních kol a průměru zadních kol.

#### Nastavení výšky zadních kol:

1. S použitím rychloupínacího systému odstraňte zadní kolo.
2. Odstraňte oba spoje šroub-matice (1) z upevňovací kostky zadního kola (2).
3. Posuňte upevňovací kostku (2) v opěře zadního kola (3) nahoru nebo dolů do požadované výšky.
4. Upněte upevňovací kostku (2) pevným utažením obou spojů šroub-matice (1).
5. Namontujte zpět zadní kolo.
6. Opakujte pro druhé kolo.



#### Nastavení výšky předních kol:

1. Vymontujte šrouby M6 (4) na obou stranách kola.
2. Posuňte kolo v přední vidlici (5) nahoru nebo dolů do požadované polohy.
3. Znovu upevněte kolo do přední vidlice (5) pevným utažením šroubů (4) v odpovídajících otvorech.
4. Opakujte pro druhé kolo. Ujistěte se, že jsou obě zadní kola a obě přední kola nastavena na stejnou výšku.



#### Nastavení úhlu předních kol:

1. Odstraňte kryt (6) upevnění předního kola.
2. Povolte šroub M8.
3. Nastavte úhel předního kola s použitím ozubeného úchytu (7). Upevnění vidlice (8) musí být kolmé k zemi.
4. Znovu pevně utáhněte šroub M8 a vraťte zpět na místo kryt (6).
5. Opakujte pro druhé kolo. Ujistěte se, že jsou obě kola nastavena ve stejném úhlu.

Tabulka 1: Konfigurace kol s ohledem na výšku sedadla

VÝŠKA SEDADLA VPŘEDU (v mm)															
	380	390	400	410	420	430	440	450	460	470	480	490	500	510	
3"	i	i	i	i	i	i		i	i	i					
4"		i	i	i	i	i	i	i	i	i	i	i			
5"				i	i	i	i	i	i	i	i	i	i		
6"						i	i	i	i	i	i	i	i	i	

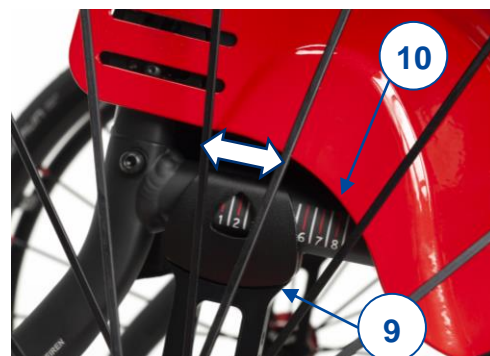
  

VÝŠKA SEDADLA VZADU (v mm)																					
	315	325	335	345	355	365	375	385	395	405	415	425	435	445	455	465	475	485	495	505	515
18"	i	i	i	i	i	i	i	i	i	i	i										
20"			i	i	i	i	i	i	i	i	i	i	i								
22"					i	i	i	i	i	i	i	i	i	i	i						
24"								i	i	i	i	i	i	i	i	i	i	i			
26"										i	i	i	i	i	i	i	i	i	i	i	i

### 3.2.2 Poloha zadního kola

Polohu zadního kola je možné plynule nastavit:

1. S použitím rychloupínacího systému odstraňte zadní kolo.
2. Na vnitřní straně opěry (9) zadního kola povolte dva šrouby M6 nahoře a tři šrouby M6 dole o několik otáček tak, aby se opěra mohla pohybovat.
3. S použitím měřidel (10) na vnější straně rámu sedadla posuňte opěru (9) zadního kola rovnoměrně dozadu nebo dopředu v rámu, dokud nedosáhnete požadované hloubky.
4. Pevně utáhněte pět šroubů M6.
5. Opakujte na druhé straně s použitím měřidel (10) na rámu, abyste zajistili, že budou obě opěry zadních kol nastavené na stejnou hloubku.



### 3.2.3 Náklon sedadla

Náklon sedadla je možné nastavit změnou konfigurace předních a zadních kol. Pokyny, jak změnit polohu kol, najdete v 3.2.1.

### 3.2.4 Náklon opěradla

Opěradlo je možné nastavit do 5 úhlových poloh:

1. Jemně zatáhněte za zadní řemínek (11), abyste odjistili opěradlo.
2. Vymontujte vnější šroub (12) závěsného bodu (13).
3. Přemístěte vnitřní pouzdro s druhým šroubem do jiného otvoru podle požadovaného úhlu. Zajistěte polohu opětovným utažením šroubu (12).
4. Opakujte pro druhý spoj opěradla.
5. Zkontrolujte polohu pohybem opěradla, dokud nebude zajištěno na místě pojistnými kolíky. Ujistěte se, že jsou oba pojistné kolíky aretované ve stejné poloze.



### 3.2.5 Odstranitelná boční deska

#### Hloubka panelu (16)

1. Povolte inbusový šroub (14) a vymontujte inbusový šroub (15).
2. Posuňte boční panel (16) dopředu nebo dozadu a znovu utáhněte inbusový šroub (15) v jednom z otvorů opěry. Utáhněte opět inbusový šroub (14).
3. Opakujte pro druhý boční panel.



#### Výška panelu (16)

1. Povolte inbusový šroub (15) a vymontujte inbusový šroub (14).
2. Posuňte boční panel (16) nahoru nebo dolů a znovu utáhněte inbusový šroub (14) v jednom z otvorů opěry. Utáhněte opět inbusový šroub (15).
3. Opakujte pro druhý boční panel.



#### Výška kompletní boční desky (18)

1. Odstraňte boční desku z invalidního vozíku.
2. Vymontujte inbusový šroub (17).
3. Vložte inbusový šroub do jiného otvoru podle požadované výšky (k dispozici 5 poloh).
4. Pevně utáhněte inbusový šroub.
5. Opakujte výše popsané nastavení pro druhou boční desku.

Ujistěte se, že jsou obě boční desky a panely nastavené na stejnou výšku a hloubku a že jsou bezpečně upevněné.

### 3.2.6 Pevná boční deska

#### Hloubka boční desky (22)

1. Povolte inbusové šrouby (19+20+21).
2. Posuňte boční desku dopředu nebo dozadu a znovu utáhněte inbusové šrouby.

#### Výška boční desky (22)

1. Vymontujte inbusové šrouby (19+20+21).
2. Posuňte boční desku nahoru nebo dolů do požadované výšky a utáhněte opět inbusové šrouby (19+20) v jednom z jejích otvorů. Vraťte správně na místo inbusový šroub (21).



Opakujte výše popsané nastavení pro druhou boční desku. Ujistěte se, že jsou obě boční desky nastavené na stejnou výšku a hloubku a že jsou bezpečně upevněné.

### 3.2.7 Nastavení úhlu odklonu zadních kol

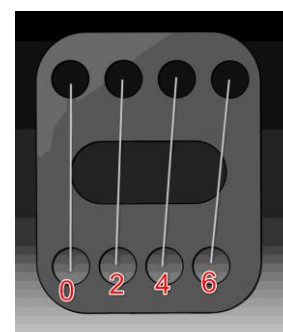
Úhel odklonu zadních kol lze nastavit do 4 poloh (0°, 2°, 4°, 6°) nastavením úhlu upevňovací kostky zadního kola v opěře zadního kola:

1. S použitím rychloupínacího systému odstraňte zadní kolo.
2. Odstraňte oba spoje šroub-matice (23) z upevňovací kostky zadního kola (24).
3. Nastavte úhel upevňovací kostky (24) vůči opěře zadního kola (25). \*
4. Upněte upevňovací kostku (24) ve správném úhlu pevným utažením spojů šroub-matice (23) v příslušných otvorech.
5. Namontujte zpět zadní kolo.
6. Opakujte pro druhé kolo. Ujistěte se, že jsou obě zadní kola nastavena na stejný úhel odklonu.



CS

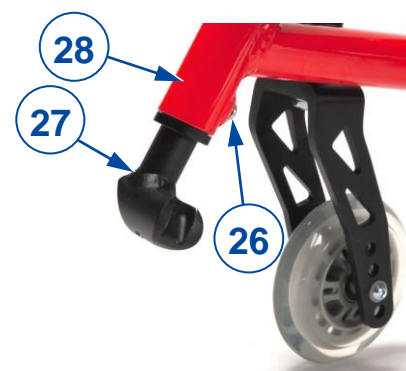
\* Upevňovací kostka musí být namontována pomocí čtyř sad dvou slícovaných otvorů. Vyberte sadu, která odpovídá požadovanému úhlu odklonu, jak je znázorněno na obrázku.



### 3.2.8 Výška stupátka

#### Trigo S (kroky 10 mm)

1. Vymontujte šroub M6 ze zadní strany podnožky (26).
2. Posuňte stupátko (27) v trubce (28) předního rámu nahoru nebo dolů do požadované výšky. Ujistěte se, že otvory vnitřní a vnější trubky lícují.
3. Vraťte zpět šroub M6 (26).
4. Opakujte pro druhou podnožku. Ujistěte se, že jsou obě podnožky nastavené na stejnou výšku a že jsou bezpečně upevněné.



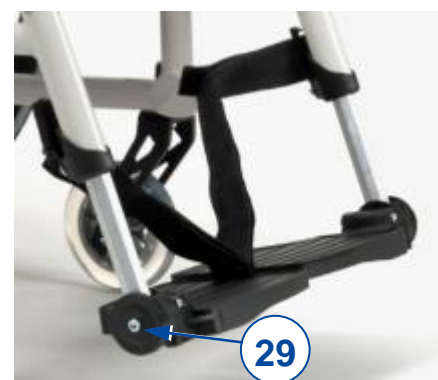
#### Trigo T (plynulé)

1. Vymontujte šroub M6 ze zadní strany podnožky (26).
2. Posuňte stupátko (27) v trubce (28) předního rámu nahoru nebo dolů do požadované výšky.
3. Vraťte zpět šroub M6 (26).
4. Opakujte pro druhou podnožku. Ujistěte se, že jsou obě podnožky nastavené na stejnou výšku a že jsou bezpečně upevněné.

### 3.2.9 Úhel nožní desky

#### Trigo T (20° po krocích 5°)

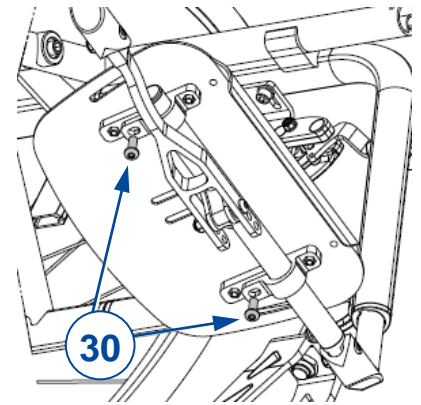
1. Povolte šroub M6 (29) na vnější straně stupátka.
2. Otočte stupátko do požadovaného úhlu. Velikost úhlu je indikována čárkami na vnější straně ozubeného úchytu.
3. Utáhněte opět pevně šroub M6 (29).
4. Opakujte pro druhé stupátko. Zkontrolujte, že jsou obě stupátka pevně utažena.



### Trigo S (plynulé)

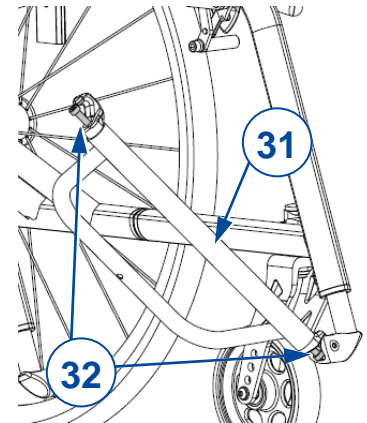
Pro sklopné stupátko:

1. Na spodní straně stupátka povolte oba šrouby M6 (30).
2. Otočte stupátko, dokud nedosáhnete požadovaného úhlu.
3. Pevně utáhněte oba šrouby (30).



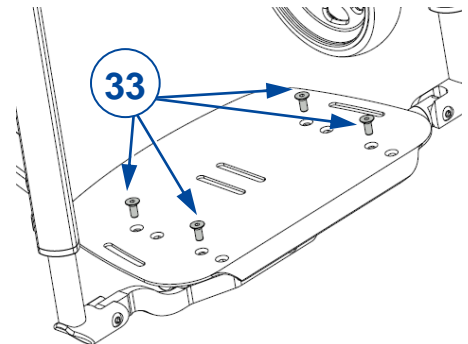
Pro rozevírací stupátko:

1. Na hlavní trubce (31) povolte šrouby M6 (32) na obou stranách stupátka.
2. Otočte stupátko, dokud nedosáhnete požadovaného úhlu.
3. Pevně opět utáhněte oba šrouby (32).



### 3.2.10 Hloubka stupátka (jen pro Trigo S, sklopné stupátko)

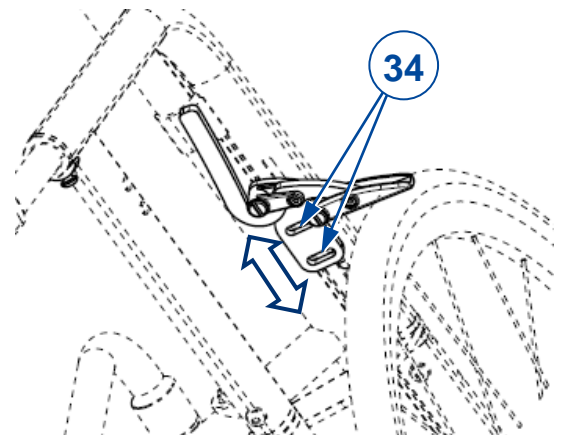
1. Vymontujte čtyři šrouby M5 (33) ze stupátka.
2. Přemístěte stupátko dopředu nebo dozadu do požadované hloubky (k dispozici 2 polohy).
3. Utáhněte opět pevně šrouby M5 (33). Ujistěte se, že je stupátko bezpečně upevněné.



### 3.2.11 Seřízení parkovacích brzd

V závislosti na průměru zadních kol a jejich poloze je možné náležitě seřídit brzdy. Následující pokyny platí jak pro dvojčinné brzdy, tak pro brzdy sportovní.

1. Odbrzďte brzdou, viz návod k obsluze.
2. Povolte dva šrouby (34) připevňující brzdou k rámu.
3. Posuňte brzdou v drážce dopředu nebo dozadu do požadované polohy.
4. Pevně opět utáhněte oba šrouby.
5. Ověřte správnou funkci brzd; kolo je zabrzděno, ale brzdou lze stále snadno ovládat. Pokud tomu tak není, opakujte výše uvedený postup, dokud nebude brzdou dobře seřízená.
6. Opakujte pro druhou parkovací brzdou. Dbejte na to, aby byly obě brzdy seřízeny stejně.





### 3.3 Výměna pneumatik

**UPOZORNĚNÍ** Riziko zranění a poškození

- Před výměnou zkontrolujte, že je z pneumatiky vypuštěn veškerý vzduch.
- Zkontrolujte, že se žádné části těla, duše ani jiné předměty nezachytily mezi pneumatiku a ráfek.
- Před jízdou s vozíkem ručně ověřte, že jsou řádně dotaženy všechny šrouby.
- Zkontrolujte, že je tlak správný, viz označení tlaku na pneumatikách.
- Nafoukněte pneumatiku nafukovacím zařízením, které je v souladu s nařízenými a ukazuje tlak v barech.
- Používejte jen náhradní díly schválené společností Vermeiren.

**CS**

Při výměně pneumatiky nebo duše postupujte následujícím způsobem:

1. Vypusťte z duše všechny vzduch.
2. Vložte montážní páku mezi pneumatiku a ráfek.
3. Jemně stlačte montážní páku dolů. Tím přetáhnete pneumatiku přes okraj ráfku.
4. Posunujte páku podél ráfku, abyste přetáhli celou pneumatiku.
5. Opatrně sejměte pneumatiku z ráfku a odstraňte duši.



Umístěte pásek ráfku do polohy nad vzduchovým ventilem a pak ho vložte do ráfku. Nyní můžete pásek ráfku snadno přetáhnout. Zkontrolujte, jestli jsou zakryty hlavy všech paprsků (v případě plastového ráfku není pásek ráfku nutný).



Zatlačte pneumatiku přes okraj ráfku; začněte za vzduchovým ventilem. Lehce nafoukněte duši, aby se zaoblila, a vložte ji do vnitřku pneumatiky.



Pokud se duše bez jakýchkoli záhybů (v případě záhybů upusťte vzduch) vejde do vnitřku pneumatiky, můžete oběma rukama lehce přitlačit horní stranu pneumatiky na ráfek; začněte u vzduchového ventilu. Lehce zatlačte ventilek směrem dovnitř a znovu jej vytáhněte, abyste ověřili, že je pneumatika v oblasti ventilku správně umístěna.







Vermeiren GROUP  
Vermeirenplein 1 / 15  
2920 Kalmthout  
BE

website: [www.vermeiren.com](http://www.vermeiren.com)