

VERMEIREN

Eris

INSTRUCTION MANUAL
MANUEL D'UTILISATION
GEBRUIKSAANWIJZING
GEBRAUCHSANWEISUNG
ANUALEDIISTRUZIONIMAN
UALDEINSTRUCCIONESINS
TRUKCJA OBSŁUGI
NÁVOD K OBSLUZE



EN

Instructions for specialist dealer

This instruction manual is part and parcel of the product and must accompany every product sold.

Version: D, 2019-03

FR

Instructions pour les distributeurs

Ce manuel d'instructions fait partie du produit et doit accompagner chaque produit vendu.

Version : D, 2019-03

NL

Instructies voor de vakhandelaar

Deze handleiding is deel van het product en dient bij iedere product te worden geleverd.

Versie: D, 2019-03

DE

Hinweise für den Fachhändler

Diese Gebrauchsanweisung ist Bestandteil des Produkts und ist bei jeder Produkts auszuhändigen.

Version: D, 2019-03

IT

Istruzioni per il rivenditore

Il presente Manuale di istruzioni è parte integrante del prodotto e deve essere fornito assieme alla prodotto.

Versione: D, 2019-03

ES

Instrucciones destinadas a los distribuidores especializados

El presente manual de instrucciones es parte integrante del producto y se debe adjuntar a todas las producto que se vendan.

Versión: D, 2019-03

PL

Instrukcje dla wyspecjalizowanego sprzedawcy

Niniejsza instrukcja obsługi jest nieodłączną częścią produktu i musi być dołączona do każdego sprzedawanego produktu.

Wersja: D, 2019-03

CS

Pokyny pro specializovaného prodejce

Tento návod k obsluze je součástí dodávky a musí být součástí každého prodaného produktu.

Verze: D, 2019-03

All rights reserved, including translation.

No part of this manual may be reproduced in any form what so ever (print, photocopy, microfilm or any other process) without written permission of the publisher, or processed, duplicated or distributed by using electronic systems.

Tous droits réservés, y compris la traduction.

Aucune partie de ce manuel ne peut être reproduite, sous quelque forme que ce soit (imprimée, photocopie, microfilm ou tout autre procédé) sans l'autorisation écrite du publicateur, ni traitée, dupliquée ou distribuée à l'aide de systèmes électroniques.

Alle rechten, inclusief vertaling, voorbehouden.

Niets uit deze handleiding mag geheel of gedeeltelijk in enige vorm (druk, fotokopie, microfilm of ieder ander procédé) zonder de schriftelijke toelating van de uitgever worden gereproduceerd of met behulp van elektronische systemen worden verwerkt, gekopieerd of verspreid.

Alle Rechte, auch an der Übersetzung, vorbehalten.

Kein Teil der Gebrauchsanweisung darf in irgendeiner Form (Druck, Fotokopie, Mikrofilm oder einem anderen Verfahren) ohne schriftliche Genehmigung des Herausgebers reproduziert oder unter Verwendung elektronischer Systeme verarbeitet, vervielfältigt oder verbreitet werden.

Tutti i diritti riservati (anche sulla traduzione).

Il presente manuale non può essere riprodotto, neppure parzialmente, con alcun mezzo (stampa, fotocopia, microfilm o altro procedimento) senza l'autorizzazione scritta della casa produttrice, né elaborato, duplicato o distribuito con l'ausilio di sistemi elettronici.

Todos los derechos reservados, incluidos los de la traducción.

Se prohíbe la reproducción total o parcial del presente manual de cualquier forma (impresión, fotocopia, microfilm o cualquier otro procedimiento), así como la edición, copia o distribución empleando sistemas electrónicos, sin el permiso escrito del editor.

Wszelkie prawa zastrzeżone, łącznie z tłumaczeniem.

Żadna część niniejszej instrukcji nie może być powielana w jakiegokolwiek formie (drukowanej, fotokopii, mikrofilmu ani innej) bez pisemnej zgody wydawcy, nie może być również przetwarzana, kopiowana ani rozprowadzana za pomocą systemów elektronicznych.

Všechna práva vyhrazena, včetně překladu.

Šíření jakékoliv části tohoto katalogu jakýmkoliv způsobem (tisk, kopie, mikrofilm nebo jiný způsob) bez písemného souhlasu vydavatele, nebo zpracování, duplikace či distribuce prostřednictvím elektronických systémů je zakázáno.



English

Français

Nederlands

Deutsch

Italiano

Español

Polski

Czech

Instruction manual

Manuel d'utilisation

Gebruiksaanwijzing

Gebrauchsanweisung

Manuale di istruzioni

Manual de instrucciones

Instrukcja obsługi

Návod k obsluze



Contents

1	Product description	3
1.1	<i>Intended Use</i>	3
1.2	<i>Safety instructions</i>	4
1.3	<i>Technical specifications</i>	5
1.4	<i>Accessories</i>	6
1.5	<i>Components</i>	7
1.6	<i>Location identification plate</i>	7
1.7	<i>Explanation of symbols</i>	8
1.8	<i>Expected lifespan</i>	8
2	Use	9
2.1	<i>Remarks on electromagnetic compatibility (EMC)</i>	9
2.2	<i>Carrying the scooter</i>	10
2.3	<i>Assembly and disassembly of the scooter</i>	10
2.4	<i>Operating the brakes</i>	11
2.5	<i>Transfer in and out the scooter</i>	11
2.6	<i>Correct position in the scooter</i>	11
2.7	<i>Driving the scooter</i>	12
2.8	<i>Driving the scooter on ramps</i>	14
2.9	<i>Driving the scooter over obstacles</i>	15
2.10	<i>Operator control</i>	15
2.11	<i>Neutral</i>	16
2.12	<i>Transport</i>	16
2.13	<i>Automatic power shut down</i>	17
2.14	<i>Charging the batteries</i>	17
3	Installation and adjustment.....	19
3.1	<i>Tools</i>	19
3.2	<i>Manner of delivery</i>	19
3.3	<i>Adjusting the steering unit</i>	19
3.4	<i>Adjusting the seat</i>	20
3.5	<i>Folding the backrest</i>	21
3.6	<i>Adjusting the rear view mirrors</i>	22
3.7	<i>Adjusting the armrests</i>	22
3.8	<i>Tyre changing</i>	22
3.9	<i>Thermal fuses</i>	23
3.10	<i>Anti-tipping</i>	24
3.11	<i>Changing the battery</i>	24
4	Maintenance	25
4.1	<i>Instructions for reuse</i>	25
5	End of use	26
6	Declaration of conformity	26



Preface

First of all we want to thank you for putting your trust in us by selecting one of our scooters.

The expected lifetime of your scooter is strongly influenced by the care and maintenance of the scooter.

This manual will help you get acquainted with the operation of your scooter.

Following the user instructions and the maintenance instructions are an essential part of the warranty.

This manual reflects the latest product developments. Vermeiren has the right to introduce changes without the obligation to adapt or replace previously delivered models.

For any further questions, please consult your specialist dealer.

Information available

On our website <http://www.vermeiren.com/> you will always find the most recent version of following information. Please consult this website regularly since the printed version may be out of date.



- This manual
Visually impaired people can download the electronic version of this manual and have it read out by means of a text-to-speech software application.



- EC declaration of conformity
For user and specialist dealer



- Instructions for mounting and demounting of optional parts
For specialist dealer



- Service manual
For specialist dealer

Contact details

To find a service facility or specialist dealer near you, contact the nearest Vermeiren facility.



1 Product description

1.1 Intended Use

The scooter is intended to comfortably transport people. This scooter is designed to transport 1 person. Do not carry passengers on your scooter (including children).

The scooter is designed to transport adult people only, no goods, nor any persons under the age of 16.

Neither should it be used by people obviously suffering from physical or mental limitations that render them incapable of safely handling the scooter in traffic.

These limitations could involve:

- hemiplegics or paraplegics
- mental disorders
- visual impairment

The scooter is classified as class B.

The scooter is suited for outdoor use by the occupant.

When providing for individual requirements:

- body size and weight (max. 140 kg)
- physical and psychological condition
- residential circumstances
- environment

should be taken into consideration.

Your scooter should be used on flat surfaces where all four wheels are touching the ground and where there is sufficient contact to propel the wheels equally.

You should practice for use on uneven surfaces (cobblestones, etc.), slopes, curves and to get past obstacles (curbs, etc.).

The scooter should not be used as a ladder, nor is it a transport for heavy or hot objects.

When using your scooter on streets or footpaths, local laws and regulations apply.

The scooter can be used on sidewalks, urban road. Under no circumstances the scooter may be used for driving on larger roads or expressways.

Use only Vermeiren approved accessories.

The manufacturer is not liable for damage caused by the lack of or improper service or as a result of not following instructions from this manual.






























Compliance with the user and maintenance instructions are an essential part of the warranty conditions so we recommend that you read the following pages very carefully.

Visually impaired people can contact the dealer for the instructions for use.

Note: This product is suitable and approved for reuse by another patient, when delivered via a rental service. Follow the instructions in §4.1




1.2 Safety instructions

-  Use only Vermeiren approved accessories.
-  Before getting on or off, taking apart or transporting your scooter, turn the start key to the “off” position.
-  When transporting the scooter, no persons may be transferred along with it.
-  Test the effects on the handling of the scooter when its center of gravity is shifted, for example on up or down gradients, on laterally sloping ground or when driving over uneven terrain.
-  Do not drive on roads with heavy traffic or roads that are muddy, gravelly, bumpy, narrow, snowed over, icy or canal towpaths not guarded by any fence or hedge.
-  Keep away from places where you might get the wheels stuck.
-  Pay attention that your clothes do not tangle in the wheels.
-  When picking up objects lying in front of, next to, or behind the scooter, take care that you do not lean too far sideways: risk of tipping over.
-  Avoid putting your scooter into the free-wheeling position on slopes.
-  Never reverse uphill.
-  Reduce speed when you go round corners.
-  Do not take the scooter onto escalators.
-  While driving, hold the handgrips with both hands.
-  Put your legs and feet on the surfaces provided for them during the drive.
-  Do not use your scooter in snowing, misty or heavy windy conditions.
-  When storing or parking your scooter outside, protect it with a shrouding cover against humidity.
-  High levels of humidity or very cold conditions can reduce the performance of your scooter.
-  Use your scooter strictly in accordance with regulations. Avoid driving straight over obstacles (e.g. step, edge of the curb) or down from high ledges.
-  Obey traffic regulations when driving on public roads. Please take other road-users into consideration.
-  As is the case with any other vehicle, you must never be under the influence of alcohol while driving your scooter. This also applies to indoor driving.
-  When traveling outdoors, adapt your driving to weather and traffic conditions.
-  When driving in the dark, wear bright clothing or clothing with reflectors to be more visible, and make sure that the reflectors on the scooter are clearly visible and drive with lighting on.
-  Make sure that the lights of your scooter are free from dirt and/or other objects that could hide them.
-  Never use your scooter as a seat in an automobile or other vehicle.
-  Check that the profile depth of the tyres is adequate.
-  If your scooter has pneumatic tyres, be careful to inflate them to the correct pressure (see *pressure indication on the tyres*) for optimal steering and stability of the scooter.
-  Make sure that the maximum load of the scooter is not exceeded.
-  Do not overload the shopping basket. The maximum load of the shopping basket is 5 kg.
-  We advise not to use power strip and extension cord. Use the battery charger directly on the supply socket. We advise not to use supply sockets with a time switch.

1.3 Technical specifications

Technical terms below are valid for the scooter in standard settings and optimum environmental conditions. If other accessories are used, the tabulated values will change. Changes in outdoor temperatures, humidity, uphill, downhill, soils and battery levels can reduce output.

Brand	Vermeiren		
Address	Vermeirenplein 1/15, B-2920 Kalmthout		
Type	Rear wheel drive scooters, Class B		
Maximum occupant mass	140 kg		
Model	Eris		
Description	Dimensions		
Max. speed	6 km/h	10 km/h	
Continuous driving distance range*	35 km (Battery 38 Ah) 45 km (Battery 50 Ah)	29 km (Battery 38 Ah) 37 km (Battery 50 Ah)	
Length	1185 mm		
Width	570 mm		
Height	1150 mm		
Seat width	435 mm		
Folded / dismantled length	950 mm		
Folded / dismantled width	570 mm		
Folded / dismantled height	600 mm (seat removed; steering unit folded)		
Total mass	75 kg		
Mass of heaviest part (that can be dismantled or removed)	57 kg (without seat) or 46 kg (without seat and batteries)		
Masses of parts that can be dismantled or removed	Seat: 11 kg; Batteries: 26,5 kg		
Static stability downhill	9°		
Static stability uphill	9°		
Static stability sideways	9°		
Dynamic stability	6°		
Maximum safe slope	6°		
Ground clearance	50 mm (anti-tipping)		
Obstacle climbing	75 mm		
Seat plane angle	6°		
Effective seat depth	360 mm		
Seat surface height at front edge (measured from ground)	595 mm - 645 mm		
Seat surface height at front edge (measured from footplate)	450 mm - 500 mm		
Height footplate	145 mm		
Backrest angle	25°		
Backrest height	340 mm		
Distance between armpad and seat	180 mm		
Front location of armrest structure	270 mm		
Motor	Nom. 320 Watt, electromagnetic brakes		
Batteries	38 Ah	50 Ah	
Controller	70 A		



Brand	Vermeiren		
Address	Vermeirenplein 1/15, B-2920 Kalmthout		
Type	Rear wheel drive scooters, Class B		
Maximum occupant mass	140 kg		
Model	Eris		
Description	Dimensions		
Nominal voltage (battery)	2 x 12V ---		
Degree of protection	IPX4		
Battery charger	6 Amp (external)	8 Amp (external)	
USB connection	No		
Battery charger protection class	IPx1		
Battery charger insulation class	II		
Minimum turning diameter	2900 mm		
Reversing width	2900 mm		
Diameter rear wheels (number)	3.00-4 air (2)		
Tyre pressure, rear (driving) wheels	Max. 3,5 bar		
Diameter steering wheels (number)	3.00-4 air (2)		
Tyre pressure, steering wheels	Max. 3,5 bar		
Handle bar	Speed control lever		
Lights	Serial		
Indicator light	Serial		
Mirrors	Optional		
Storage and use temperature	+5 °C to +40 °C		
Operating temperature of the electronics	-10°C to +40°C		
Storage and use humidity	30%		
Tested and meets requirements of	ISO 7176-14:2008		
Resistance to ignition acc. to	EN1021-2		
We reserve the right to introduce technical changes. Measurement tolerance ± 15 mm / 1,5 kg / 1,5°.			
* The theoretical driving distance will be reduced if the scooter is used frequently on slopes, rough ground or to climb curbs. Maximum driving distance is tested according ISO 7176-4 under ideal circumstances.			

Table 1: Technical specifications

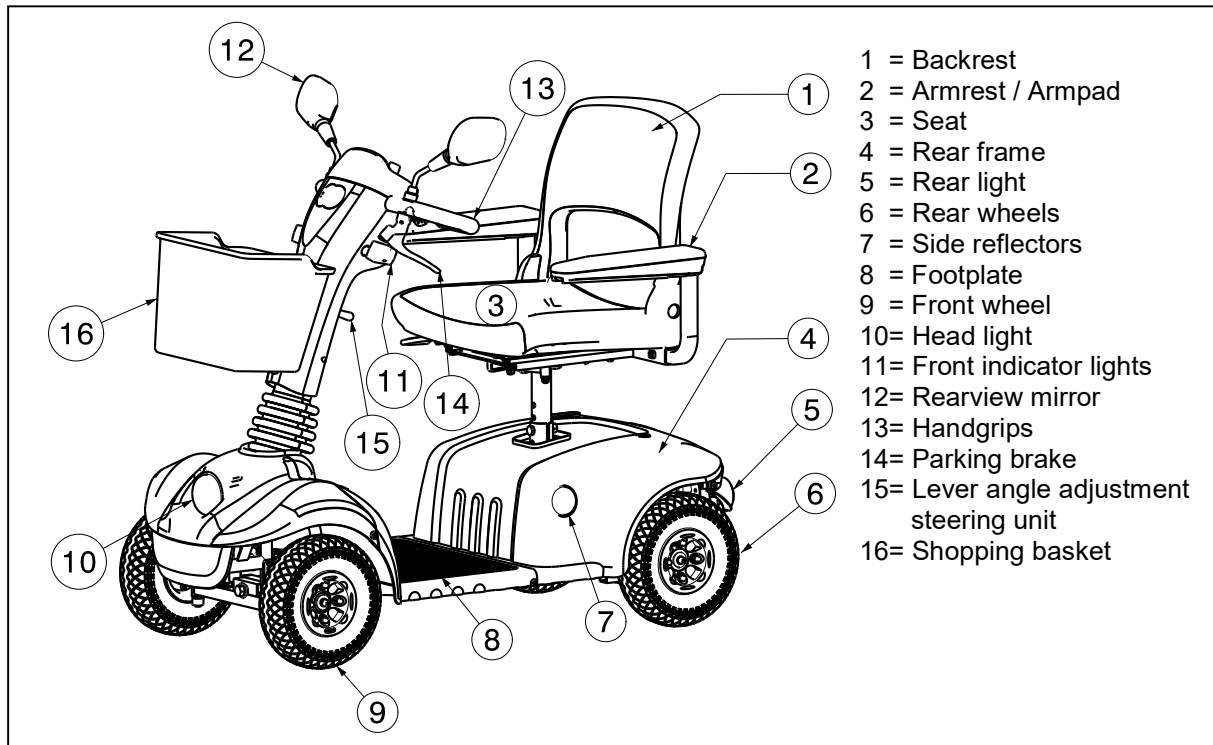
1.4 Accessories

The following accessories are available for the scooters Eris:

⚠ WARNING: Risk of injury - Be sure that crutches are attached very well and cannot fall on the user.

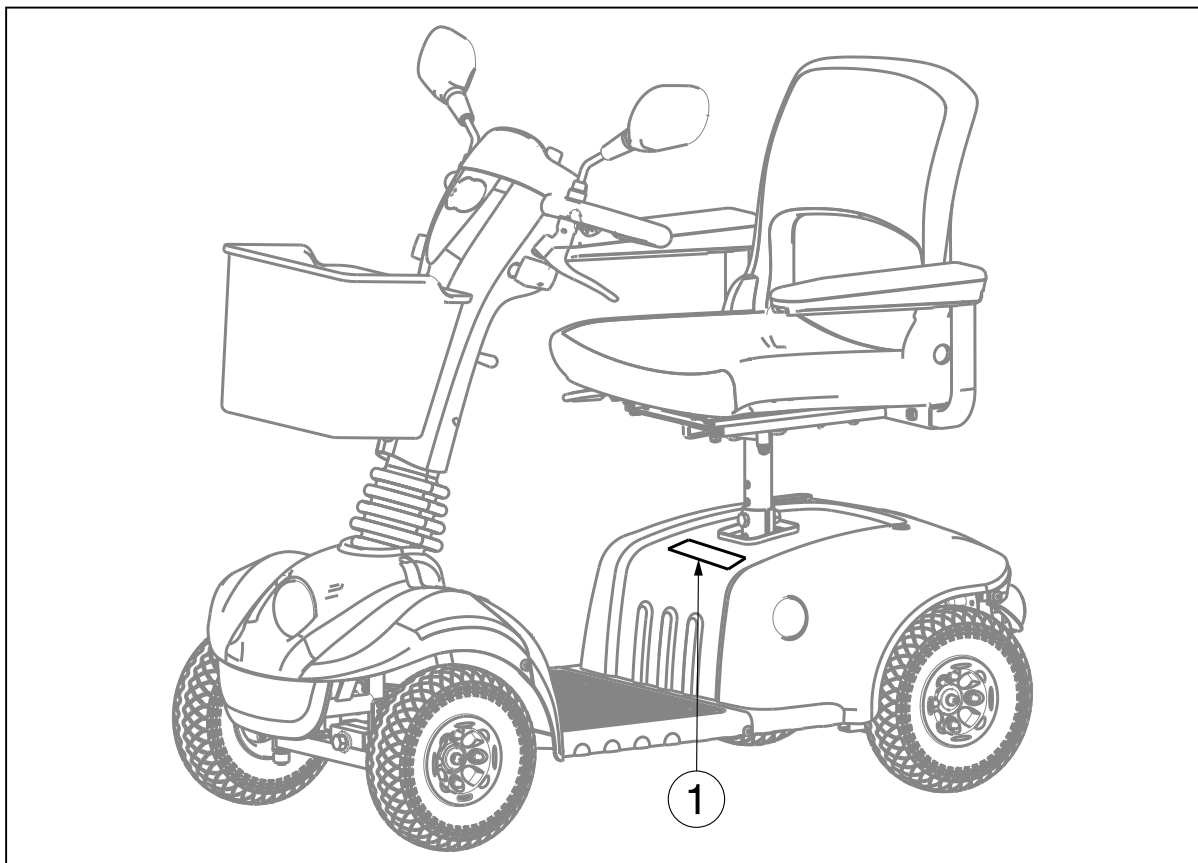
- Crutch holder
- Scooterpac
- Topcase
- Rollator holder

1.5 Components



1.6 Location identification plate

The location of the identification plate ① is on the rear cover. You can also find an identification plate under the battery cover.



1.7 Explanation of symbols



Maximum mass



Outdoor use



Indoor use (only for battery charger)



Separate recovery and recycling of electric and electronic devices (only for battery charger)



Protection class II



Maximum safe slope



CE conformity



Maximum speed



Not intended to be used as a seat in a Motor vehicle



Type designation



Warning: Do not Pinch hands / fingers

1.8 Expected lifespan

The average lifespan of your scooter is 5 years. Depending on the frequency of use, driving circumstances and maintenance, the lifespan of your scooter will increase or decrease.



2 Use

This chapter describes the everyday use. **These instructions are for the user and the specialist dealer.**

The scooter is delivered fully assembled by your specialist dealer. The instructions intended for the specialist dealer on how to set up the scooter are given in § 3.

2.1 Remarks on electromagnetic compatibility (EMC)

Your scooter has been tested according ISO 7176-21.

We wish to point out that sources of electromagnetic waves (e.g. cell phones) are liable to create interferences. The electronics of the scooter itself could affect other electric appliances too.

To reduce the effect of electromagnetic sources of interference, please read the following warnings:

- ⚠ WARNING: The scooter might disturb the operation of devices in its environment that emit electromagnetic field.**
- ⚠ WARNING: The driving performance of the scooter can be influenced by electromagnetic fields (e.g. electricity generators or high power sources).**
- ⚠ WARNING: Avoid using any portable TV or radio in the immediate environment of your scooter for as long as it is turned on.**
- ⚠ WARNING: Avoid using any transmitter-receiver or cell phones in the immediate environment of your scooter for as long as it is turned on.**
- ⚠ WARNING: Check the area for transmitter masts and avoid using the scooter close to them.**
- ⚠ WARNING: If involuntary movements or braking occur, turn off the scooter as soon as it is safe to do so.**

Interfering electromagnetic fields may have a negative effect on the scooter's electronic systems. These can include:

- Disengagement of the engine brake
- Uncontrollable behavior by the scooter
- Unintentional steering movements

In the presence of very strong or enduring interfering fields, the electronic systems could even break down entirely or suffer permanent damage.

Possible sources of radiation include:

- Portable receiver and transmitter installations (receiver and transmitter with fixed antenna mounted directly on the transmitting unit)
 - Transmitting and receiving sets
 - Cell phones or "walkie talkie"
 - portable TV, radio and navigation devices
 - other personal transmitting devices
- Mobile medium-range transmitting and receiving devices (e.g. car antennas, with the antenna mounted on the outside of the vehicle)
 - Fixed transmitting and receiving sets
 - Fixed mobile transmitting and receiving devices
 - Fixed radio, TV and navigation systems
- Long-range transmitting and receiving devices
 - Radio and television towers
 - Amateur radio sets



Other home devices like CD player, notebook, cordless phones, AM/FM radios, electric shavers and hair dryers, so far as we know, will have no influence provided that they function perfectly and their cabling be in an excellent condition. Please conform to the operating instructions accompanying such electric instruments to ensure trouble free operating of your scooter.

1. Do not operate hand-held (transceivers-receivers), such as citizens band (CB) radios, or turn ON personal communication devices, such as cellular phones, while the powered vehicle is turned ON;
2. Be aware of nearby transmitters, such as radio or TV stations, and try to avoid coming close to them;
3. If unintended movement or brake release occurs, turn the vehicle OFF as soon as it is safe;
4. Be aware that adding accessories or components, or modifying the powered vehicle, may make it more susceptible to EMI (Note: There is no easy way to evaluate their effect on the overall immunity of the powered vehicle);

The intensity of the interfering EM energy can be measured in volts per meter (V/m). Each powered vehicle can resist EMI up to a certain intensity. This is called its "immunity level". The higher the immunity level, the greater the protection. At this time, current technology is capable of achieving at least a 20 V/m immunity level, which would provide useful protection from the more common sources of radiated EMI. This powered vehicle model as shipped, with no further modification, has an immunity level of 20 V/m without any accessories.

2.2 Carrying the scooter

The best way to carry the scooter is to make use of neutral mode of the scooter. Place the scooter in neutral and roll the scooter to the desired place.

If this is not possible you can carry the scooter by following steps:

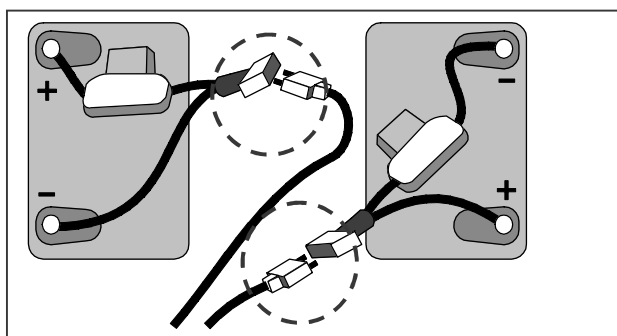
1. Switch the scooter off.
2. Remove loose parts (seat and batteries).
3. Store loose parts in a safe place.
4. Carry the frame + steering unit with 2 or 3 persons to the desired place. Take the frame on the chassis, and not by the bumpers or the plastic parts. Only on the fixed parts from the frame.

2.3 Assembly and disassembly of the scooter

- ⚠ **WARNING:** Risk of injury - Make sure that all movable parts are assembled properly.
- ⚠ **WARNING:** Risk of injury - Assembly and disassembly must be done by trained personnel (e.g. specialist dealer).
- ⚠ **WARNING:** Risk of injury - Be careful not to cut or bruise yourself with the cables.
- ⚠ **WARNING:** Risk of injury - Turn the scooter off before disassembly.
- ⚠ **CAUTION:** Risk of pinching - Do not place fingers between the components of the scooter.

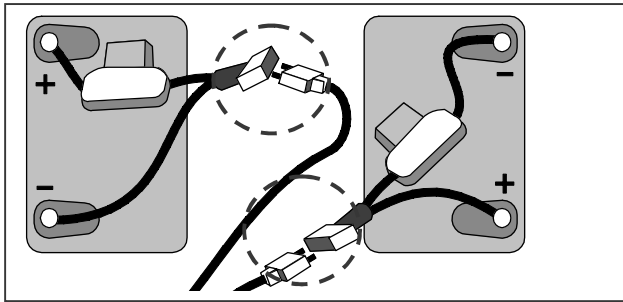
To disassemble, please proceed as follows:

- Switch the scooter off.
- Remove the seat (see "Adjusting the seat" chapter).
- Lift off the rear plastic cover of the batteries.



- Loosen the straps used to fasten the batteries in place.
- Unplug all battery plugs (not the pole connectors) and all cable plug- and socket connections.
- Lift the batteries out.
- Fold the steering unit down.

To reassemble, please proceed as follows:

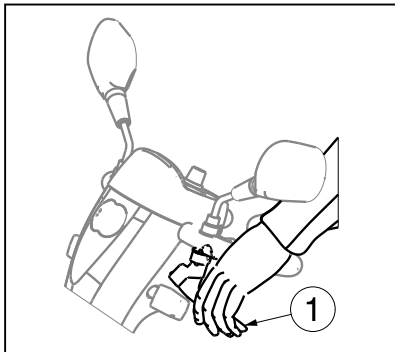


- Move the steering unit upwards.
- Put the batteries back in and connect to the battery plugs (plugs of the same color go together).
- Use the straps to tighten the batteries in such a way that they will not move, even during drives.
- Mount the rear plastic cover.
- Mount the seat (see "Adjusting the seat" chapter).

2.4 Operating the brakes

To apply the electromagnetic brakes:

1. Let go of the speed or drive lever, the electromagnetic brake in the motor will be activated, the scooter will stop.



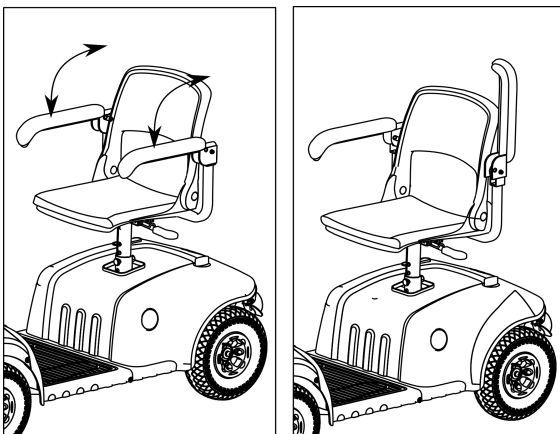
To apply the parking brakes (optional):

1. Pull the brake lever ① towards the handgrip.
2. Release the brake lever ①.

The parking brake tightness can be adjusted by the brake cable adjuster.

2.5 Transfer in and out the scooter

⚠ WARNING: Risk of injuries – Always turn your scooter OFF before getting on or off your scooter.



1. Park the scooter as close as possible to the place where you want to transfer.
2. Check that the control panel (scooter) is switched off.
3. Put the armpad upwards on the side you want to transfer.
4. Transfer to / from the seat of the scooter.

2.6 Correct position in the scooter

Some recommendations for a comfortable use of the scooter:

1. Position your backside as close as possible to the backrest.
2. Make sure your upper legs are horizontal.



2.7 Driving the scooter

- ⚠ WARNING: Risk of burns – Be careful when driving in hot or cold environments (sunshine, extreme cold, saunas, etc.) for a sufficient amount of time and when touching - Surfaces can assume the environment temperatures.**
- ⚠ WARNING: Risk of unsafe settings - Use only the driving characteristics described in this manual.**
- ⚠ WARNING: Risk of injuries – Always turn your scooter OFF before getting on or off your scooter.**

2.7.1 Preparing the scooter for use

When you use your scooter for the first time, make sure that it is standing on level ground. All wheels must be in contact with the ground.

1. For first time use, fully recharge the batteries.
2. Make sure that the motor is engaged.
3. Set the steering unit in the most comfortable position for yourself and make sure it has been secured properly.
4. See that the seat has been locked in the driving position.
5. Sit down on the seat and verify that both armrests are folded down so you can rest your arms on them.
6. Insert contact key and turn to the right, please wait for at least 3 seconds before you press the speed lever otherwise you have a “delay protection” alarm. If necessary, turn on the headlights.
7. Check the battery indicator and see that there is enough power for your trip. If not enough capacity recharge the batteries before departure.

Now put the speed control on the operator control to the minimum position. Your scooter is now ready for use. Only use higher speed setting when you are confident that you can easily operate and control your scooter.

Before using the scooter in busy or potentially dangerous areas, familiarize yourself with the operation of your scooter. Please practice in a wide and open area like a park.

2.7.2 Handling after usage

Before getting off from your scooter, make sure that all four wheels touch the ground simultaneously. Next turn the key to the “OFF” (charge indicator goes out) to turn off the integrated light.

2.7.3 Parking the scooter

Once your scooter has been turned off, no command can be sent to the driving system. You will be unable to deactivate the electromagnetic brakes before turning on your scooter again. Always park your scooter on sites that are well guarded or clearly visible.

2.7.4 Your first trip

- ⚠ WARNING: Control your scooter - Accustom yourself with the driving behavior of your scooter.**
- ⚠ WARNING: Control your scooter - Do not use both sides of the speed lever simultaneously. This might leave you unable to control your scooter.**
- ⚠ WARNING: Control your scooter, risk of injury - Do not adjust the speed while you are driving.**
- ⚠ WARNING: Risk of injury - Be sure no people or objects are behind you while reversing the scooter.**

- Driving

Once you are seated on your scooter and have started it as described above, take hold of the handgrips with both hands, put your fingers to pull the speed lever in the required direction, i.e.:



PULL ACTION BY THE RIGHT HAND	=	FORWARD MOVEMENT
PULL ACTION BY THE LEFT HAND	=	BACKWARD MOVEMENT

While using your scooter indoor, do not put your scooter in the highest speed.

- Driving on the pavement

Ensure the limit switch is set to the slowest setting when using the scooter on the pavement. The maximum speed to drive on the pavement depends from country to country. Check the traffic law from the relevant country.

The limit switch can be set to the fastest setting for use on the road or on private ground.

- Braking

To brake, let go of the speed/drive lever, which will let it return to the zero position and slow down your scooter to a gentle stop. Practice pulling away and braking to get accustomed to the scooter. You need to be able to estimate how your scooter will react when you drive or brake.

Do not turn your scooter "OFF" while driving as this will lead to an emergency stop and possible risk of accident and injury.

- Driving in corners and bends

⚠ WARNING: Risk of tipping over - Reduce your speed before you enter a curve or corner.

⚠ WARNING: Risk of clamping - Always maintain an adequate distance from corners and obstacles.

⚠ WARNING: Risk of tipping over - Do not drive your vehicle in an "S" pattern or make erratic turnings.

For corners and bends, use both hands to turn the handle bar in the direction you wish to take. The front wheels will turn accordingly and steer the scooter into a new direction. It is very important that you ensure that there is enough space allowing you to go around bends and corners. Narrow passages must preferably be approached in a large curve so as to allow you to enter the narrowest part as straight from the front as possible. Bear in mind that your scooter's back part will in most cases be wider than the front part.

Take care not to enter curves and corners diagonally. By 'cutting the corner', chances are that your rear wheels will run into obstacles and destabilize your scooter.

2.7.5 Backward movement

⚠ WARNING: Control your scooter - Accustom yourself with the driving behavior of your scooter.

⚠ WARNING: Control your speed - Always go backward in the lowest speed possible.

⚠ WARNING: Risk of collision - Always look to the back when you go backward.

Rearward driving requires increased concentration and care (LEFT HAND ACTION). This explains why we have greatly reduced the speed of rearward movement in comparison with forward driving. But we still recommend that you put the speed lever on minimum when you drive backward.

Do not forget that the steering direction with rearward driving is the opposite of when you go forward, and that your scooter will turn directly in the required direction.

2.7.6 Going uphill

⚠ WARNING: Control your scooter - Accustom yourself with the driving behavior of your scooter.

⚠ WARNING: Control your scooter - Never put your scooter in neutral on slopes.

⚠ WARNING: Control your speed - Moving on slopes as fast as possible.

⚠ WARNING: Risk of tipping over - Do not exceed the maximum gradient of static stability uphill (see paragraph "Technical specifications").

⚠ WARNING: Never reverse going uphill.



Sitting position, going uphill

- Adjust your seat depth and backrest angle, in order to sit in most front position, see section §3.4 and §3.5 for adjustment.
- Always lean forward when climbing a steep gradient.

Always approach slopes directly from the front and, to avoid tipping over, see that all four wheels stay in contact with the ground at all times (ramps, driveways, etc.). Your scooter is powered through a differential. Both drive wheels should therefore stay in contact with the ground at all times. Should one of the drive wheels no longer be in contact with the ground, a safety device will cut the transmission of energy to the wheels, bringing the scooter to a halt.

If you come to a stop on a slope by letting go of the accelerator, the engine break will prevent your scooter from rolling backward. As soon as the accelerator returns to zero position, the engine break is activated.

To resume your uphill drive, push the accelerator throttle open fully to ensure the release of a sufficient amount of power. This will allow your scooter to slowly ascend the slope.

If your scooter is unable to drive up, turn the speed control up and try again.

When driving on a gradient, the battery indicator light might move up and down. This is a normal phenomenon so please do not worry.

2.7.7 Going downhill

- ⚠ WARNING: Control your scooter - Accustom yourself with the driving behavior of your scooter.**
- ⚠ WARNING: Control your scooter - Never put your scooter in neutral on slopes.**
- ⚠ WARNING: Control your speed - Moving on slopes as slow as possible.**
- ⚠ WARNING: Risk of tipping over - Avoid sharp bends.**
- ⚠ WARNING: Risk of tipping over - Do not exceed the maximum gradient of static stability downhill (see paragraph "Technical specifications").**

Sitting position, going downhill

- Adjust your seat depth and backrest angle, in order to sit in most rearward position, see section §3.4 and §3.5 for adjustment.
- Always lean backward when descending a steep gradient.

Always approach downhill slopes directly from the front. Slantwise approaches can lead to some of the wheels no longer staying in contact with the ground (danger of tipping over). If one of the back wheels fails to make contact, the transmission of power will be cut and the scooter come to a standstill.

The weight of the scooter will increase your downhill speed. Turn the speed control down and adjust your speed to the conditions.

Avoid sharp bends on downhill slopes. The weight of your scooter could cause your scooter to lift up on one side or even fall over around bends.

2.8 Driving the scooter on ramps

- ⚠ WARNING: Risk of injury - Do not exceed the maximum load of the ramps.**
- ⚠ WARNING: Risk of injury - Choose the correct ramps so there cannot be caused any injury or damage.**
- ⚠ WARNING: Risk of injury - Note that the considerable weight of the electric scooter generated large reverse forces when an attendant is pushing the scooter over the ramps.**
- ⚠ WARNING: Risk of injury - Be sure that the wheel height is high enough to get over the free height of the ramps. The scooter frame may not touch the ramps.**

Should you wish to use ramps to drive over an obstacle, please note the following:

1. Find out from the manufacturer what the maximum load is for the ramps.
2. Drive on the ramps at the lowest speed possible.
3. See the instructions in the chapter "your first trip".

2.9 Driving the scooter over obstacles

⚠ WARNING: Risk of injuries by unexpected movement

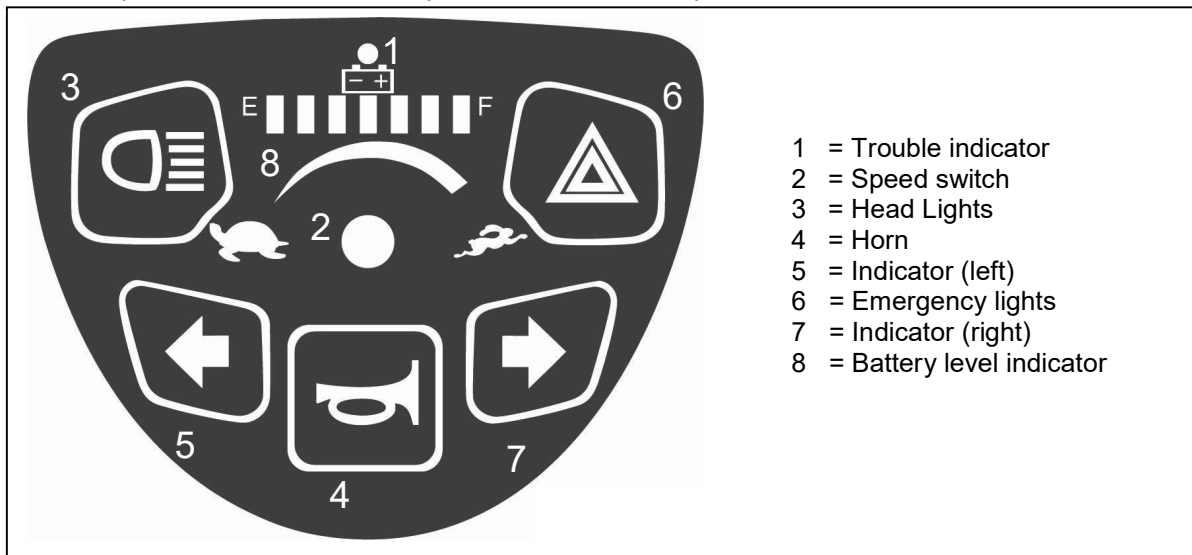
- Do not use your scooter on an escalator.
- Do NOT drive on slopes, obstacles, steps or kerbs larger than the size described in the technical specification in §1.3.
- Approach a kerb always from the front.
- Make sure that all wheels make contact to the ground during driving up or down.

⚠ CAUTION: Risk of damage

If necessary, take a short run up to speed-up the scooter to mount the obstacle or kerb. Prevent that you or your scooter has to cope with a large recoil.

2.10 Operator control

- Put the ON/OFF key switch on, please wait for at least 3 seconds before you press the speed lever otherwise you have a "delay protection" alarm.
- Now the battery level indicator ⑧ will light up and shows the current level of your batteries.
- Now turn the speed switch ② to the desired driving speed.
- Pull the drive lever with your fingers backwards (right lever for forward movement, left lever for backward movement).
- To sound the horn, press the horn button ④.
- To put on the front and back lights, press the light button ③.
- To put on the emergency flashers, press button ⑥.
- To put on the indicator lights, press the desired button ⑤ and ⑦ (left = left indicator, right = right indicator).
- To stop the scooter loosen the speed lever under the operator control.



Vermeiren is responsible for the changes in the software. For changes in the software contact Vermeiren.

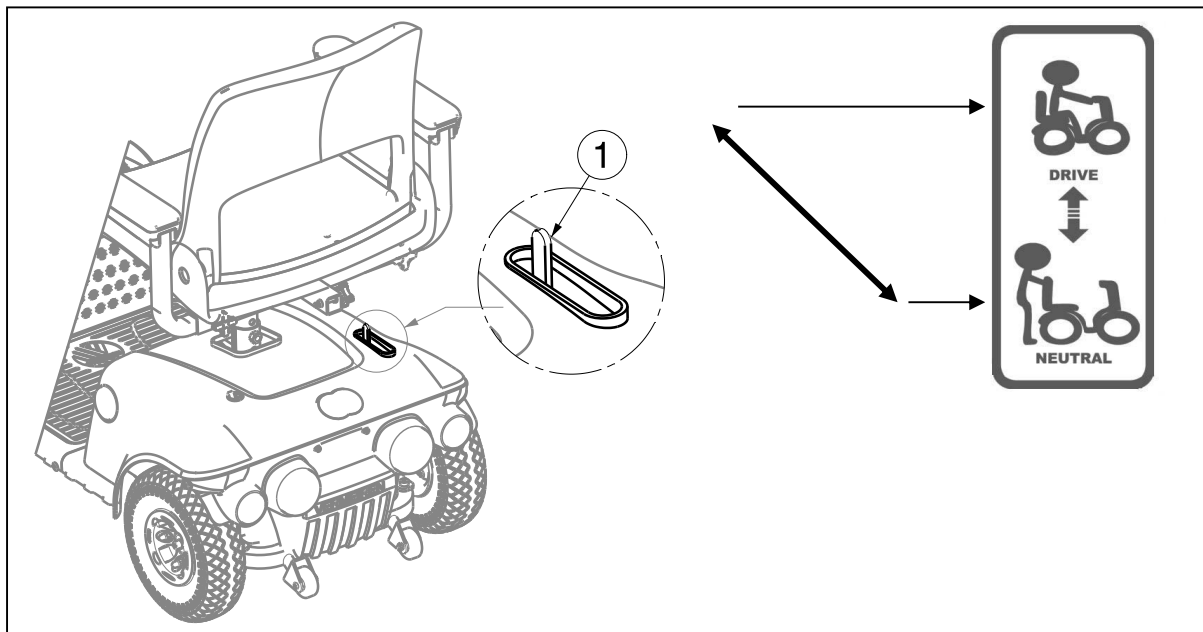
2.11 Neutral

- ⚠ **WARNING:** Control your scooter - Never put your scooter in neutral while you are driving.
- ⚠ **WARNING:** Control your scooter - Never put your scooter in neutral on slopes. It may accidentally roll away.
- ⚠ **WARNING:** Risk of injury - Never pick up the electronic drive before stopping the motor/gears to prevent motor from overheating.

The scooter is fitted with a freewheel device that is accessible and operable by the attendant or the user when not sitting in the scooter. You should only use the scooter in neutral to transport the scooter or to move it out of a danger zone.

Put the scooter in neutral with the motor stop lever ① on the back side of the scooter.

- Driving
 1. Put the motor stop lever ① on drive. This will again interlock the motor and gears.
 2. Switch the ON/OFF key ON.
 3. Electronically controlled driving is now possible.
- Neutral
 1. Switch the ON/OFF key OFF.
 2. Put the motor stop lever ① on neutral (see label). This separates the motor from the gears.
 3. The scooter can now be pushed without electronic drive.








2.12 Transport

2.12.1 By aircraft

i Since the scooter is equipped with non-spillable AGM battery, it is possible to transport the scooter (as a whole) by aircraft. Consult your airline for the correct handling procedures before booking your flight.

Before handing your scooter over to the airport personnel, disconnect, and if necessary, remove the battery from the scooter. See also section §3.11 about the battery replacement.

2.12.2 By car

-  **DANGER:** Risk of injury - The scooter is not suited for use as a seat in a motor vehicle as indicated by the symbol in the following picture.
-  **WARNING:** Risk of injury - Remove all loose parts prior to transportation.
-  **WARNING:** Risk of injury - No people or objects should be under the scooter, on the footplate or seat during transportation.
-  **WARNING:** Risk of injury - See that the scooter is attached properly. So you can avoid injury of passengers during collision or sudden braking.
-  **WARNING:** Chance of pinching - Do not place fingers between the components of the scooter.



The best way to transport your scooter in the car is to drive the scooter in the car by using ramps. When you are not experienced to drive the scooter by using of ramps you can also put the scooter in neutral mode and push the scooter in the car by using ramps.


When the scooter does not fit in the car it is also possible to transport the scooter by the following steps:

1. Remove all loose parts prior to transporting (seat, etc.).
2. Store loose parts safely.
3. If possible, remove the batteries / battery boxes to save weight.
4. Fold the steering unit down with the angle adjustment.
5. Place the scooter in the car by 2 or 3 persons.
6. Attach the frame of the scooter securely to the vehicle.

2.13 Automatic power shut down

In order to avoid accidental battery run down, your scooter is equipped with an automatic power shut down facility. If the scooter is switched on, after remaining undisturbed for a period it will automatically turn off. Should this occur, simply switch your scooter off and back on and it will be ready to use once again.

2.14 Charging the batteries

-  **WARNING** Risk of injuries and damage due to fire
 - Only use the battery/batteries and charger supplied with your product. The use of any other battery or charger may be dangerous (fire hazard). Contact your specialist dealer for possible replacement.
 - Under no circumstances open or change the battery, charger, cables, plugs nor change any connection points!
 - The charger is only intended to charge the battery/batteries delivered with the scooter, not to charge any other batteries.
 - Protect the battery and battery charger against flames, high temperatures (>50°C), moisture, sunshine, severe shocks (for example dropping). Do NOT use the battery if this has been the case.
 - Charge the battery with the supplied charger, indoors, in a well-ventilated area, out of children's reach.
 - Do not use any extension cord for charging.

-  **CAUTION** Risk of injuries

The batteries will last shorter or longer depending on the use, terrain and driving conditions. When you plan a trip, take the battery-charge status in to account. Be aware of the action radius of the battery, see the technical details in §1.3.

CAUTION Risk of battery damage, reduction of battery life span

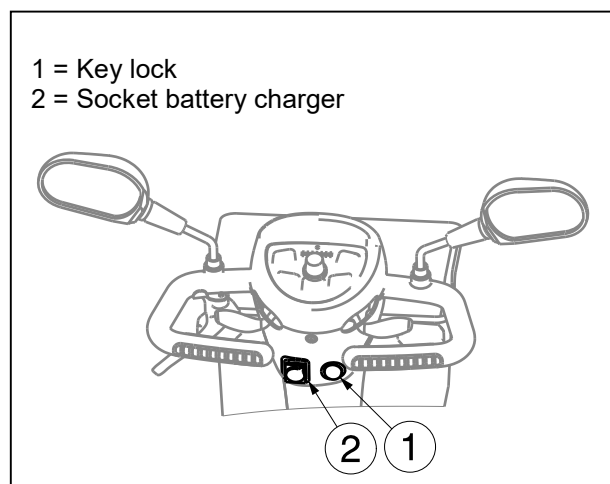
- Read the charger instruction manual and observe the safety guidelines regarding the charger.

- If your scooter is stored for a while, it is advised to charge the battery regularly (approximately once a month).
- Do not interrupt the charging cycle; wait till the charger indicates that the battery is fully charged, see the charger instruction manual. Prevent charging for a short period. Note: this is NOT applicable for Lithium batteries.
- The battery may be irreversibly damaged if the battery is fully discharged. Therefore, make sure that the battery is charged on time.
- The lifespan reduces if the battery is exposed to extreme cold for a longer period of time, see the technical details in §1.3.
- Make sure that all connection points on the battery and the connection point in the battery housing are free of dust and other contamination.
- Protect your battery from large sources of electromagnetic radiation.

Fully recharge your new battery before its first time use.

The light emitting diode (LEDs) in the steering unit indicates the remaining capacity of your batteries. If the battery charger is turned on and no LED's are lit, check the fuse. If the red LED does not illuminate the charger is defective, consult your specialist dealer.

1. Switch the scooter OFF and remove the key.
2. FIRST connect the battery charger to a 230V AC power socket.
3. If applicable, open the cover (2) of the charging point on the scooter, see picture.
4. Connect the charger.
5. Refer to the battery-charger manual for the explication of the indicators on the charger.
6. When the battery is fully loaded, disconnect the battery.
7. Switch the scooter ON and check if all lights of the battery status indicator are ON.
8. Remove the charger from the socket, let it cool down and store it on a dry location.



i In case of any problems whereby the battery cannot be charged according to the instructions in the charger manual, please contact your specialist dealer.

When the operating console displays the error code "Drive inhibit" after charging, make sure that the battery charger is disconnected. This safety measure prevents driving with the charger still connected to the supply grid.

3 Installation and adjustment

The instructions in this chapter are for the user and the specialist dealer.

To find a service facility or specialist dealer near you, contact the nearest Vermeiren facility. A list of Vermeiren facilities can be found on the last page.

- ⚠ WARNING: Risk of unsafe settings - Use only the settings described in this manual.**
- ⚠ WARNING: Risk of tipping over - Variation allowed adjustments can still change the stability of your scooter (tilt back or sideways).**

3.1 Tools

To set up the scooter the following tools are needed:

- Wrench set n° 13, 17
- Allen keyset n° 6

3.2 Manner of delivery

The scooter shall be delivered with:

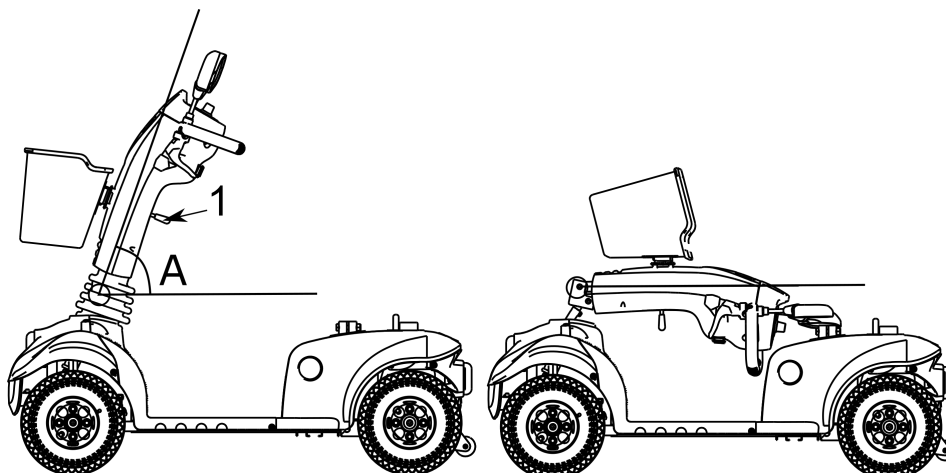
- Frame with armrests, steering unit, rear and front wheels
- Footplate
- Seat + backrest
- Batteries (2x), motor
- Basket
- Rear view mirrors (2x)
- Parking brake
- Battery charger
- Accessories
- Manual

3.3 Adjusting the steering unit

The steering unit can be adjusted in many different positions (stepless) to suit each driver. The tiller angle (A) is adjustable between 0° (horizontal, without seat) and 80° (top position).

- ⚠ WARNING: Risk of injury - Never adjust the angle while you are driving.**
- ⚠ WARNING: Risk of injury - Turn the scooter off before you adjust the angle of the steering unit.**
- ⚠ WARNING: Risk of injury - Do not lean with your whole body on the steering unit.**

1. Push the lever ① downwards.
2. Adjust the steering unit in the desired position.
3. Release the lever ①.



3.4 Adjusting the seat

⚠ WARNING: Risk of injury - Never perform adjustments while you are driving.

⚠ WARNING: Risk of injury - Make sure that the seat is locked securely.

Remove seat (Fig. A)

1. Pull the seat lever ① upwards.
2. Turn the seat ② a little bit and lift the seat out the adjustment bar ⑤.
3. Release the seat lever ①.

Lock the seat in place (Fig. A)

1. Pull the seat lever ① upwards.
2. Place the seat ② on the adjustment bar ⑤ and at the same time keep the seat lever ① pressed in.
3. Release the seat lever ①.
4. Check that the seat is firmly secured.

Swivel seat (Fig. A)

1. Pull the seat lever ① upwards.
2. Turn the seat ② in the desired direction.
3. Release the seat lever ①, and the seat will always stop after 90°.
4. Check that the seat is firmly secured.

Depth adjustment (Fig. A)

1. Pull the seat depth adjustment lever ③ outwards.
2. Move the seat ② forward or backward over the seat depth rails ④.
3. To lock the seat in place, let go of the lever ③ once the seat ② has reached the desired position.
4. Swivel the seat a little until it locks in position.
5. Check the seat is locked securely.

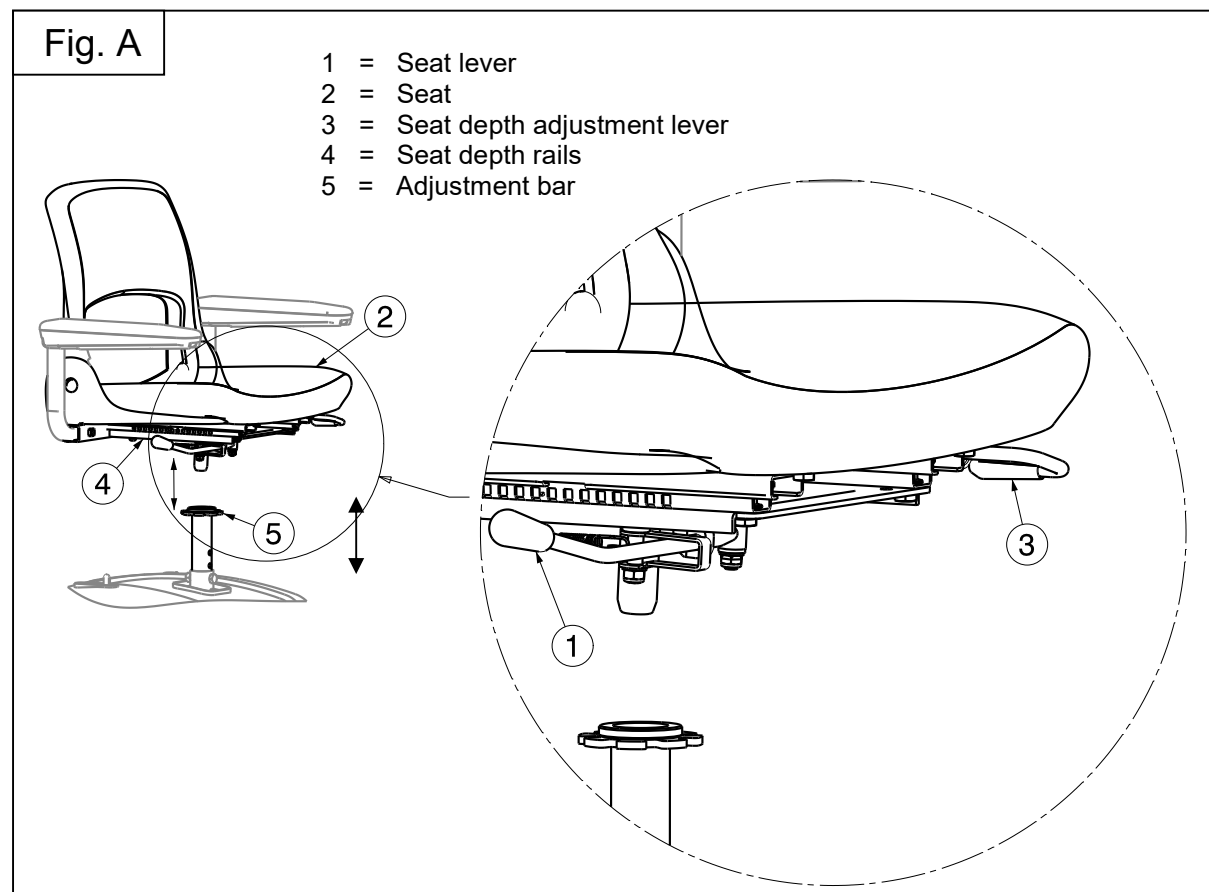
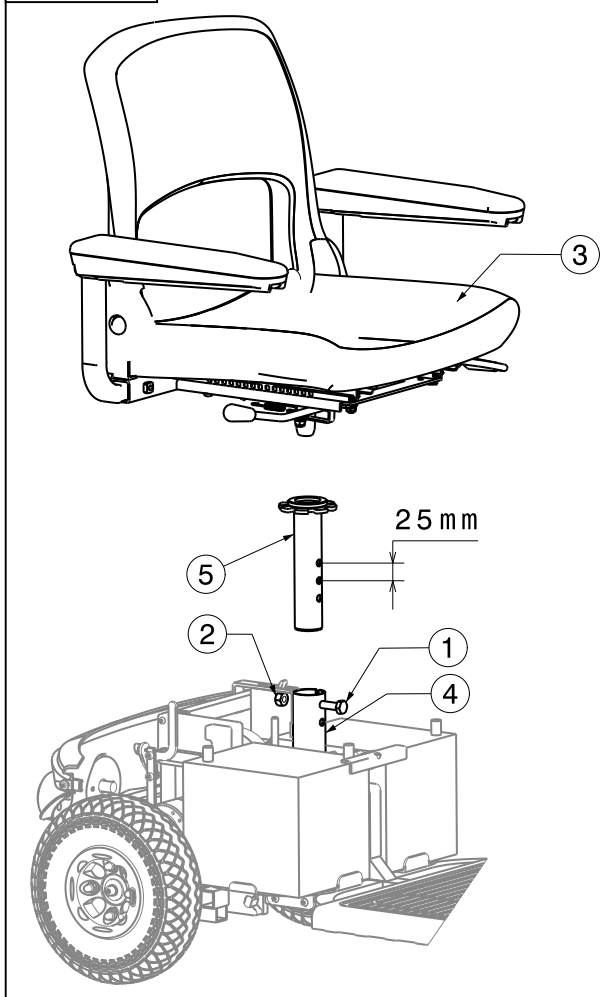


Fig. B

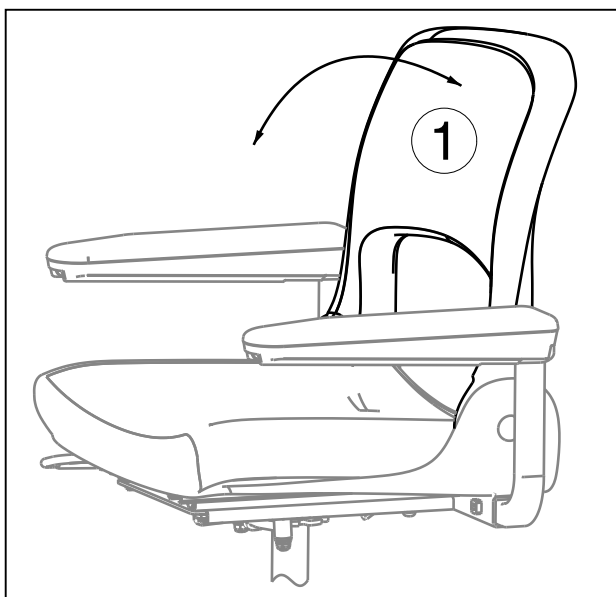


Seat height adjustment (Fig. B)

The seat can be adjusted in 3 different seat heights (increments: 25 mm).

1. Remove the seat ③ and battery cover.
2. Remove the bolt ① and nut ②.
3. Move the adjustment bar ⑤ upwards/downwards in the receiver ④, and place this in a comfortable seat height.
4. Fasten the bolt ① and nut ②.
5. Replace the seat ③ and battery cover.
6. Check the seat ③ is locked securely.

3.5 Folding the backrest

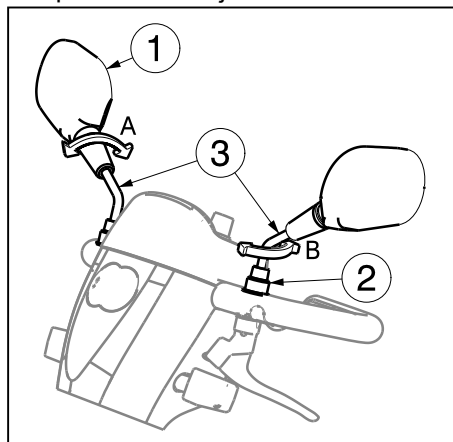


⚠ WARNING: Risk of injury - Never perform adjustments while you are driving.

Push the backrest ① forward to fold the backrest to the front.
Pull the backrest ① backwards to place the backrest in the upright position.

3.6 Adjusting the rear view mirrors

It is possible to adjust the rear view mirrors:



Adjustment 1 (arrow A):

1. Grasp the rear view mirror ①.
2. Rotate the rear view mirror ① in the desired position.

Or

Adjustment 2 (arrow B):

1. Move the cap ② upwards.
2. Loosen the mirror screw.
3. Grasp the tube ③ gently.
4. Rotate the tube ③ and put the mirror ① in the desired position.

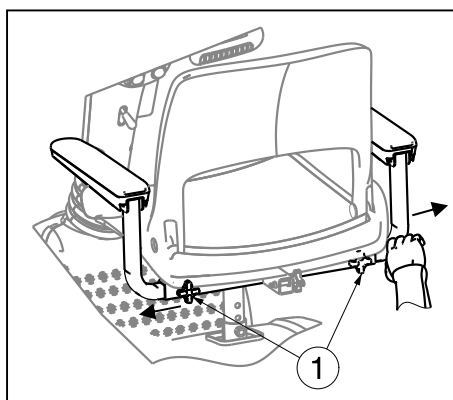
3.7 Adjusting the armrests

⚠ CAUTION: Risk of tipping over - Make sure that the armrests are positioned symmetrically from the seat.

⚠ CAUTION: Risk of injury - Mount the inner tube always with of safe distance of 50 mm in the outer tube.

The armrest can be adjusted in width.

3.7.1 Adjusting width armrests



1. Remove the star knob ① on the back of the scooter.
2. Grasp the inner square tube as shown in the picture.
3. Move these tube to adjust the armrest to the desired width (range 100 mm on each side).
4. Retighten the star knob ①.
5. Check that the armrest is fixated very well.

3.8 Tyre changing

⚠ CAUTION: There must be no air in the tube before it can be removed.

⚠ CAUTION: Risk of damage - If handled improperly, the rim might be damaged.

Note the following before inserting the new tube:

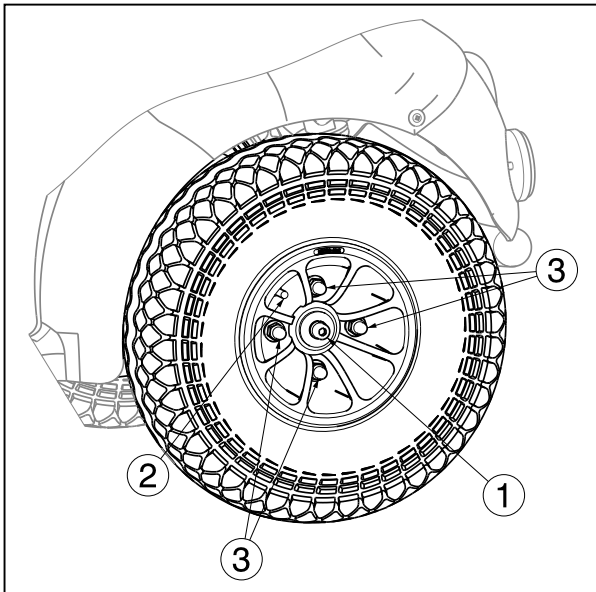
Check the rim bed and the inside wall of the tyre for foreign matter and clean these properly if necessary. Check the condition of the rim bed, especially around the position of the air valve. Please use only genuine original replacement parts. No liability is accepted for damage caused by non-genuine replacement parts. Kindly contact your specialist dealer.

Assembly:

⚠ WARNING: Risk of injury - Check that the pressure is correct.

⚠ CAUTION: Risk of injury - Make sure that no objects or body parts are pinched between the tyre and the rim when mounting a tyre.

⚠ WARNING: Risk of injury - Make sure all screws are firmly secured by hand before driving with your scooter. Screw adhesive (ex. Loctite) should be applied to the screws on the flange. Screw adhesive will only work if the thread is free of grease and particles.



DISMANTLING

1. Unscrew and remove the middle screw ① that attach the wheel and flange to the scooter.
2. Let the air out of the wheel by lightly pressing the pressure pin on the valve ②.
3. Unscrew the 4 screws ③ on the inside of the rim. Separate the rim sides.

ASSEMBLY

Insert the partly-filled inner tube into the tyre.

1. Connect the two sides of the rim through the tyres and place the flange against the tyre and screw them back again with the 4 screws ③.
2. Put the valve ② through the hole for it in the rim.
3. Put the wheel and flange back on the scooter and secure this connection with the middle screw ①. Inflate the wheel to the recommended tyre pressure.

Check all around on both sides that the tube is not pinched between the rim and the edge of the tyre. Lightly push the air valve inwards and pull it out again to make sure that the tyre is positioned properly in the region of the air valve.

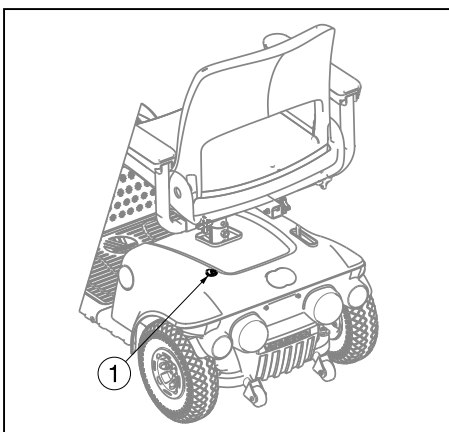
To ensure that the wheel is inflated correctly, admit only so much air initially that the tyre can still be easily pushed inwards by using your thumbs. If the check-lines are equidistant from the edge of the rim on both sides of the tyre, then the tyre is centered properly. If not - let out the air and position the tyre afresh. Now the tyre can be inflated to its full operating pressure (note the maximum) and the valve cap should be replaced.

Only an expert can guarantee correct assembly. Work not done by your specialist dealer, would void any warranty claims.

When inflating the tyres, always check that the pressure is correct. The correct pressure is given on the tyre walls.

Use only inflating equipment which complies with regulations and indicates the pressure in bar. We do not accept any liability for damage caused by using inflation equipment not supplied by the manufacturer.

3.9 Thermal fuses

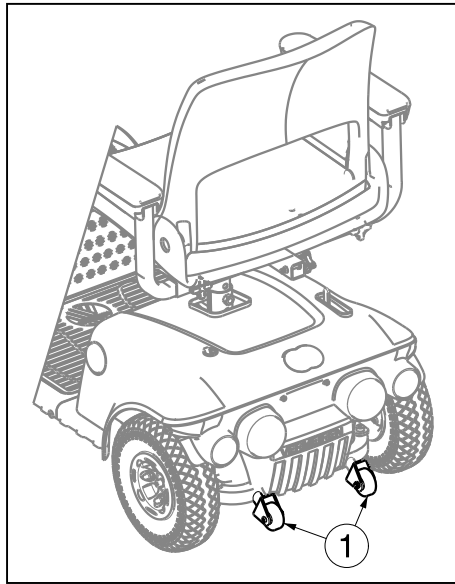


To protect the motor against overload, your scooter have a thermal safety mechanism ① on the rear of your scooter. The thermal fuse will automatically cut the motor to prevent overheating and thus rapid wear and tear or breakdowns. You can access the thermal safety device through a gap in the back of the synthetic cover.

The thermal safety device can go loose if you go up or down slopes that exceed the maximum gradient indicated. Nominal loads that exceed the maximum permitted could also cause the device to jump out. Likewise, if you keep on driving with the engine brake on, it could result in overload. The maximum values not to exceed are indicated in the chapter "Technical Specifications" of the corresponding manual.

To be able to use the scooter again, remove the overload and wait till the motor has cooled off. Then gently switch the thermal safety mechanism back in. Your scooter is now ready for use again.

3.10 Anti-tipping



An anti-tipping ① is fixed to the frame of the scooter on the back side. It is not possible to remove this. The anti-tipping is there for your safety. It prevents the scooter from tipping over backward when you drive over small obstacles that do NOT exceed the maximum height specified.

3.11 Changing the battery

- ⚠ **CAUTION:** Risk of burns - Do not come in contact with the acid from the batteries. See for a good ventilation of the battery compartment.
- ⚠ **CAUTION:** Risk of injury and damage – Only use Non-spillable batteries for replacement; these are indicated by a “Non spillable” mark on the battery.

Replace both batteries at once and not one battery.

Change the batteries of your scooter with the same type batteries (Type: **"AGM-Absorbed glass mat"** batteries).

The supplied battery charger works only with AGM batteries.

If you use other types of batteries, replace also the battery charger. Improper batteries, battery chargers voids any warranty claim. Contact your specialist dealer about other batteries, battery chargers in case of uncertainty.

The battery shall be changed by trained personnel.

The wiring and charger are well situated in the scooter. Do not attempt to re-locate the wiring by yourself. The improper installation of the wiring may result in pinching the wiring between the battery box, which cause failure to the electronic system of your scooter.

Be sure the battery cables are connected to the right battery.

4 Maintenance

For the maintenance manual of the scooters refer to the Vermeiren website:
<http://www.vermeiren.com/>.

CAUTION: Risk of injuries or damage

Repairs and replacements may only be undertaken by trained persons and only genuine replacement parts of Vermeiren should be used.



The service frequency depends on the frequency and intensity of use. Contact the dealer to agree to a common timetable for inspection/maintenance/repair.

Read the user instruction of the applied battery charger regarding maintenance.

4.1 Instructions for reuse

4.1.1 Product release for reuse

The last page of this manual contains a registration form for the specialist dealer to record each service. This page can also be used by the rental service to note the required inspection, cleaning, disinfection and maintenance. Check before each reuse if the maintenance is registered so that the product can be released for reuse.

4.1.2 Points of maintenance

Before each reuse, visually inspect the following points:

- A Battery status: Charge the battery, see §2.14.
- B Condition of wheels/tires, see §4.1.3.
- C All parts: Contamination, see §4.1.4.
- D Operating console and cables: Damage like wires that are frayed, broken or that become exposed.
- E Wheels, tiller, operating console: Well secured.
- F Seat and backrest: Dented spot, damages or tears. Replace the seat and/or backrest if necessary.

Contact your specialist dealer for possible repairs or part replacements.

Yearly or more often

Have your scooter inspected and serviced by your specialist dealer, at least once a year, or more often. The minimum maintenance frequency depends on use and should therefore be commonly agreed on with your specialist dealer.

If stored

Make sure that your scooter is stored dry to prevent mould to grow and damage the upholstery.

If your scooter is stored for a longer period, you still need to charge the batteries monthly. For more information, see §2.14.

4.1.3 Wheels and tires

- A Keep the wheels free of wires, hair, sand and carpet fibres.
- B Check the profile of the tyre. If the tread depth is less than 1 mm, the tyres need to be replaced. Contact your specialist dealer for this matter.
- C Check the tyre pressure of each tyre. The pressure depends on the type of tyre. The required pressure is readable on the tyre side.
- D If the tyre does not stay pressurised or is visibly flat, contact your specialist dealer for replacement.

CAUTION: Risk of injuries or damage

Make sure that the maximum pressure is not exceeded during inflation. Check the details on the side of the tyre.

4.1.4 Cleaning

CAUTION: Risk of damage by moisture

Keep the operating console clean and protect it from water and rain.

Never use a hose or high-pressure cleaner to clean the scooter.



Wipe all rigid parts of the scooter with a damp cloth (not drenched). If necessary, use a mild soap, suitable for varnishes and synthetics.

The upholstery can be cleaned with lukewarm water and a mild soap. Do not use abrasive cleaning agents to clean.

Keep the ventilation openings of the battery charger clean and free of accumulated dust. Blow away the dust and clean the battery charger enclosure with a slightly moistened cloth, if required.

4.1.5 Disinfection

⚠ CAUTION: Risk of damage - Disinfections may only be undertaken by trained persons. Consult your specialist dealer.

5 End of use

At end of life, you need to dispose your scooter according to the local environmental legislation. The best way to do so, is to disassemble the scooter to facilitate the transport of recyclable parts. Usually, batteries are collected separately.

6 Declaration of conformity

This product is certified for CE and is classified as a Medical device, Class I.

The CE mark indicates the conformity of the product with standards for protection of health, safety and environment applied on products traded within the European economic area.



A copy of the Declaration of conformity is available via our website:

<http://www.vermeiren.com/>.

Table des matières

1	Description du produit	3
1.1	Utilisation prévue	3
1.2	Consignes de sécurité	4
1.3	Spécifications techniques	5
1.4	Accessoires	6
1.5	Composants	7
1.6	Emplacement de la plaque d'identification	7
1.7	Explication des symboles	8
1.8	Durée de vie attendue	8
2	Utilisation	9
2.1	Explication de la compatibilité électromagnétique (EMC)	9
2.2	Porter le scooter	10
2.3	Assemblage et démontage du scooter	10
2.4	Utilisation des freins	11
2.5	Transfert dans et hors du scooter	11
2.6	Position correcte dans le scooter	12
2.7	Conduire le scooter	12
2.8	Conduire le scooter sur des rampes	15
2.9	Aborder les obstacles avec le scooter	15
2.10	Télécommande	16
2.11	Neutre	16
2.12	Transport	17
2.13	Coupure automatique de l'alimentation électrique	18
2.14	Chargement des batteries	18
3	Installation et réglage	19
3.1	Outils	19
3.2	Mode de livraison	20
3.3	Adaptation de la colonne de direction	20
3.4	Ajustement du siège	20
3.5	Pliage du dossier	22
3.6	Réglage des rétroviseurs	23
3.7	Réglage des accoudoirs	23
3.8	Changer les pneus	23
3.9	Fusibles thermiques	24
3.10	Anti-bascule	25
3.11	Remplacement des batteries	25
4	Maintenance	26
5	Mise au rebut.....	27
6	Déclaration de conformité.....	27

Préface

Nous voulons vous remercier pour la confiance que vous placez en nos scooters.

La durée de vie de votre scooter dépend fortement du soin dont vous faites preuve lors de son utilisation.

Ce manuel vous familiarise avec le fonctionnement de votre scooter.

Le respect des instructions d'utilisation et des instructions de maintenance est une condition essentielle de la garantie.

Ce manuel reflète les derniers développements du produit. Vermeiren est autorisé à apporter des modifications sans devoir pour autant adapter ou remplacer les modèles fournis précédemment.

Pour toute question, consultez votre distributeur.

Informations disponibles

Sur notre site Internet <http://www.vermeiren.com/>, vous trouverez toujours la version la plus récente des informations suivantes. Veuillez consulter régulièrement ce site étant donné que les versions imprimées peuvent être désuètes.



- Ce manuel
Les personnes malvoyantes peuvent télécharger la version électronique de ce manuel et la lire au moyen d'une application de texte-parole.



- Déclaration de conformité CE
Pour utilisateur et revendeur spécialisé



- Instructions de montage et de démontage des pièces en option
Pour le revendeur spécialisé



- Manuel de service
Pour le revendeur spécialisé

Coordonnées

Pour trouver un service d'entretien ou un revendeur spécialisé près de chez vous, contactez l'établissement Vermeiren le plus proche.

1 Description du produit

1.1 Utilisation prévue

Le scooter est prévu pour transporter confortablement des personnes. Le scooter est destiné au transport d'une seule personne. Abstenez-vous de transporter des passagers sur votre scooter (enfants compris).

Le scooter est conçu pour transporter uniquement des personnes adultes, pas de marchandises, ni de personnes de moins de 16 ans.

Il ne peut pas non plus être utilisé par des personnes souffrant apparemment de limite physique ou mentale qui les rendent incapables de manipuler le scooter en toute sécurité dans la circulation.

Les origines de ces handicaps peuvent être :

- Hémiplégie et paraplégie
- Démences
- Problèmes visuels

Le scooter est classé dans la classe B.

Le scooter convient pour une utilisation à l'extérieur par l'utilisateur.

Le fauteuil doit répondre à des exigences :

- de la taille et du poids corporel (maximum 140 kg),
- d'état physique et psychologique,
- d'environnement de vie,
- d'environnement

Votre scooter peut uniquement être utilisé sur des sols que les quatre roues touchent et avec lesquels le contact est suffisant pour un fonctionnement sûr.

Il est recommandé de s'entraîner sur des surfaces irrégulières (pavés, etc.), pentes, courbes et à passer des obstacles (bordures de trottoirs, etc.).

Le scooter ne doit pas être utilisé comme échelle, ni pour le transport d'objets lourds ou chauds.

Si vous désirez utiliser le scooter sur le trottoir et sur des sentiers, vous devez respecter les dispositions légales en vigueur.

Le scooter peut être utilisé sur des sentiers, des routes dans l'agglomération. La conduite sur des voies rapides et des autoroutes est interdite dans tous les cas avec le scooter.

Utilisez uniquement des accessoires approuvés par Vermeiren.






























Le fabricant n'est pas responsable des dommages causés par l'absence ou l'inadéquation de l'entretien, ou par le non-respect des instructions de ce manuel.

Le respect du mode d'emploi et des instructions d'entretien est une partie essentielle des conditions de garantie, donc nous vous recommandons de lire les pages suivantes très attentivement.

Les personnes souffrant de problèmes visuels peuvent prendre contact avec le revendeur pour les instructions d'utilisation.

Remarque : Ce produit est apte et approuvé pour être réutilisé par un autre patient, lorsqu'il est livré via un service de location. Suivez les instructions du paragraphe §4.1 .

Consignes de sécurité

-  Utilisez uniquement des accessoires approuvés par Vermeiren.
-  Avant de mettre en marche ou d'éteindre le scooter, de le prendre ou de le transporter, mettez la clé de contact dans la position "off".
-  Lorsque le scooter est transporté, aucune personne ne peut être transportée.
-  Testez les effets au niveau de la manipulation du scooter lorsque son centre de gravité est déplacé, par exemple sur des montées ou des descentes, sur des pentes latérales ou lorsque vous conduisez sur un terrain accidenté.
-  Ne conduisez pas sur des routes avec beaucoup de trafic ou sur des routes boueuses, avec du gravier, des rues bosselées, des rues étroites, des rues enneigées, des rues glissantes ou des chemins de halage qui ne sont pas protégés par des barrières ou des clôtures.
-  Tenir à l'écart des endroits où les roues pourraient rester collées ou coincées.
-  Faites attention à ce que vos vêtements ne se coincent pas dans les roues.
-  Lorsque vous saisissez des objets qui se trouvent devant, à côté de ou derrière le scooter, assurez-vous de ne pas vous pencher trop en avant : risque de basculement.
-  Ne mettez jamais le scooter au point mort dans des côtes.
-  Dans des côtes, ne faites pas marche arrière.
-  Réduisez votre vitesse lorsque vous prenez un virage.
-  N'empruntez pas les escaliers roulants avec le scooter.
-  Lorsque vous conduisez, tenez les poignées des deux mains.
-  Placez vos jambes et vos pieds sur la palette prévue à cet effet pendant la conduite.
-  N'utilisez pas votre scooter dans des conditions enneigées, avec du brouillard ou très venteuses.
-  Lorsque vous stationnez ou conservez le scooter à l'extérieur, vous devez utiliser une capuche de recouvrement qui protège votre scooter contre l'humidité.
-  En cas d'humidité extrême et de froid, il peut arriver que le scooter fonctionne moins.
-  Utilisez votre scooter strictement en conformité avec les réglementations. Évitez de rouler droit sur des obstacles (par exemple : marche, bord du trottoir) ou de descendre de rebords élevés.
-  Lorsque vous vous déplacez dans la circulation routière, n'oubliez pas que vous devez respecter le code de la route. Respectez les autres personnes dans la circulation.
-  De la même manière qu'avec tout autre véhicule, vous ne pouvez jamais être sous l'influence d'alcool lorsque vous conduisez votre scooter. Cette règle s'applique également à une utilisation à l'intérieur.
-  Lors de déplacements à l'extérieur, adaptez votre conduite aux conditions climatiques et du trafic.
-  Pour être bien visibles dans l'obscurité. Portez des vêtements clairs ou des vêtements avec des réflecteurs et assurez-vous que les réflecteurs du scooter et roulez avec les lumières.
-  Contrôlez si l'éclairage de votre scooter ne sont pas recouverts de saletés ou d'autres objets.
-  N'utilisez jamais le scooter comme un siège dans une voiture ou dans un autre véhicule.
-  Vérifiez que la profondeur du profil des pneus est appropriée.
-  Si votre scooter est équipé de roues pneumatiques, assurez-vous que les pneus aient suffisamment de pression (les bonnes valeurs sont mentionnées sur les pneus) pour un contrôle et stabilité optimal du scooter.
-  Veillez à ce que la charge maximale de votre scooter ne soit pas dépassée.
-  Ne surchargez pas le panier des achats. La charge maximale du panier est de 5 kg.
-  Nous conseillons de ne pas utiliser de rallonge quand vous branchez votre appareil. Il faut brancher le chargeur directement à la prise de courant. De plus nous vous conseillons de ne pas utiliser d'interrupteur horaire.

1.2 Spécifications techniques

Les spécifications techniques ci-dessous sont valides pour le scooter avec ses réglages standard et des conditions environnementales optimales. Lorsque d'autres accessoires sont utilisés, les données sont modifiées. En cas de changements de la température extérieure, de l'humidité de l'air, des inclinaisons, des pentes, du sol et de l'état de la batterie, les paramètres de prestations peuvent être limités.

Marque	Vermeiren	
Adresse	Vermeirenplein 1/15, B-2920 Kalmthout	
Type	Scooters à propulsion, Classe B	
Poids max. du patient	140 kg	
Modèle	Eris	
Description	Dimensions	
Vitesse maximale	6 km/u	10 km/u
Rayon d'action*	35 km (Batterie 38 Ah) 45 km (Batterie 50 Ah)	29 km (Batterie 38 Ah) 37 km (Batterie 50 Ah)
Longueur	1185 mm	
Largeur	570 mm	
Hauteur	1150 mm	
Largeur de siège	435 mm	
Longueur plié / démonté	950 mm	
Largeur plié / démonté	570 mm	
Hauteur plié / démonté	600 mm (sièges enlevés ; unité de conduite pliée)	
Masse totale	75 kg	
Poids de la partie la plus lourde (qui peut être démontée ou enlevée)	57 kg (sans le siège) ou 46 kg (sans le siège et les batteries)	
Des masses de pièces qui peuvent être démontés ou retirées	Siège: 11 kg; Batteries : 26,5 kg	
Stabilité statique en descente	9°	
Stabilité statique en montée	9°	
Stabilité statique latérale	9°	
Stabilité dynamique	6°	
Pente sécurisée maximale	6°	
Garde au sol	50 mm (Anti-bascule)	
Passage d'obstacle	75 mm	
Angle du plan d'assise	6°	
Profondeur d'assise efficace	360 mm	
Hauteur de la surface d'assise sur le bord avant (mesurée à partir du sol)	595 mm - 645 mm	
Hauteur de la surface d'assise sur le bord avant (mesurée à partir du plateau)	450 mm - 500 mm	
Hauteur sol - plateau	145 mm	
Angle du dossier	25°	
Hauteur du dossier	340 mm	
Distance entre la manchette et le siège	180 mm	
Emplacement avant de la structure de l'accoudoir	270 mm	
Moteur	Nom. 320 Watts, freins électromagnétiques	
Batteries	38 Ah	50 Ah


Marque	Vermeiren	
Adresse	Vermeirenplein 1/15, B-2920 Kalmthout	
Type	Scooters à propulsion, Classe B	
Poids max. du patient	140 kg	
Modèle	Eris	
		
Description	Dimensions	
Contrôleur	70 A	
Voltage nominal (batterie)	2 x 12V ---	
Degré de protection	IPX4	
Chargeur de la batterie	6 Amp (externe)	8 Amp (externe)
Connexion USB	Non	
Classe de protection du chargeur de la batterie	IPx1	
Classe d'isolation du chargeur de la batterie	II	
Diamètre de braquage minimum	2900 mm	
Largeur de renversement	2900 mm	
Diamètre des roues arrières (nombre)	3.00-4 air (2)	
Pression des pneus, roues arrière (motrices)	Max. 3,5 bars	
Diamètre des roues directrices (nombre)	3.00-4 air (2)	
Pression des pneus, roues directrices	Max. 3,5 bars	
Guidon	Lever de commande de vitesses	
Lumières	Série	
Clignotant	Série	
Rétroviseurs	En option	
Température de stockage et d'utilisation	+5 °C à +40 °C	
Température d'utilisation de l'électronique	-10°C à +40°C	
Humidité de stockage et d'utilisation	30%	
Évalué et répond aux :	ISO 7176-14:2008	
Résistance à l'inflammation selon :	EN1021-2	
<p>Nous nous réservons le droit d'apporter des modifications techniques. Tolérance de mesure ± 15 mm / 1,5 kg / 1,5°.</p> <p>* Le rayon d'action théorique sera réduit si le scooter est souvent utilisé sur des inclinaisons, des terrains inégaux ou des bordures de trottoir. L'autonomie maximale est testée selon la norme ISO 7176-4 en condition optimale.</p>		

Tableau 1 : Spécifications techniques

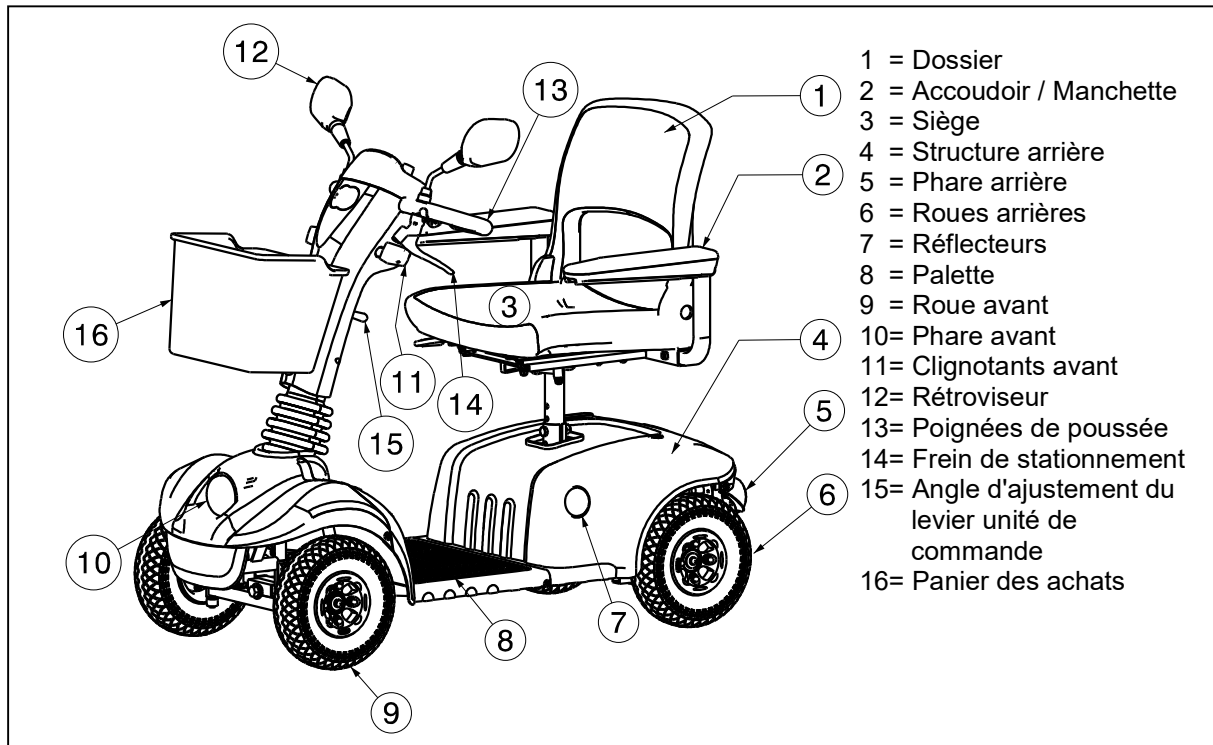
1.3 Accessoires

Les accessoires suivants sont disponibles pour les scooters Eris :

⚠ AVERTISSEMENT : Risque de blessures - Assurez-vous que les béquilles sont très bien attachées et ne peuvent pas tomber sur l'utilisateur.

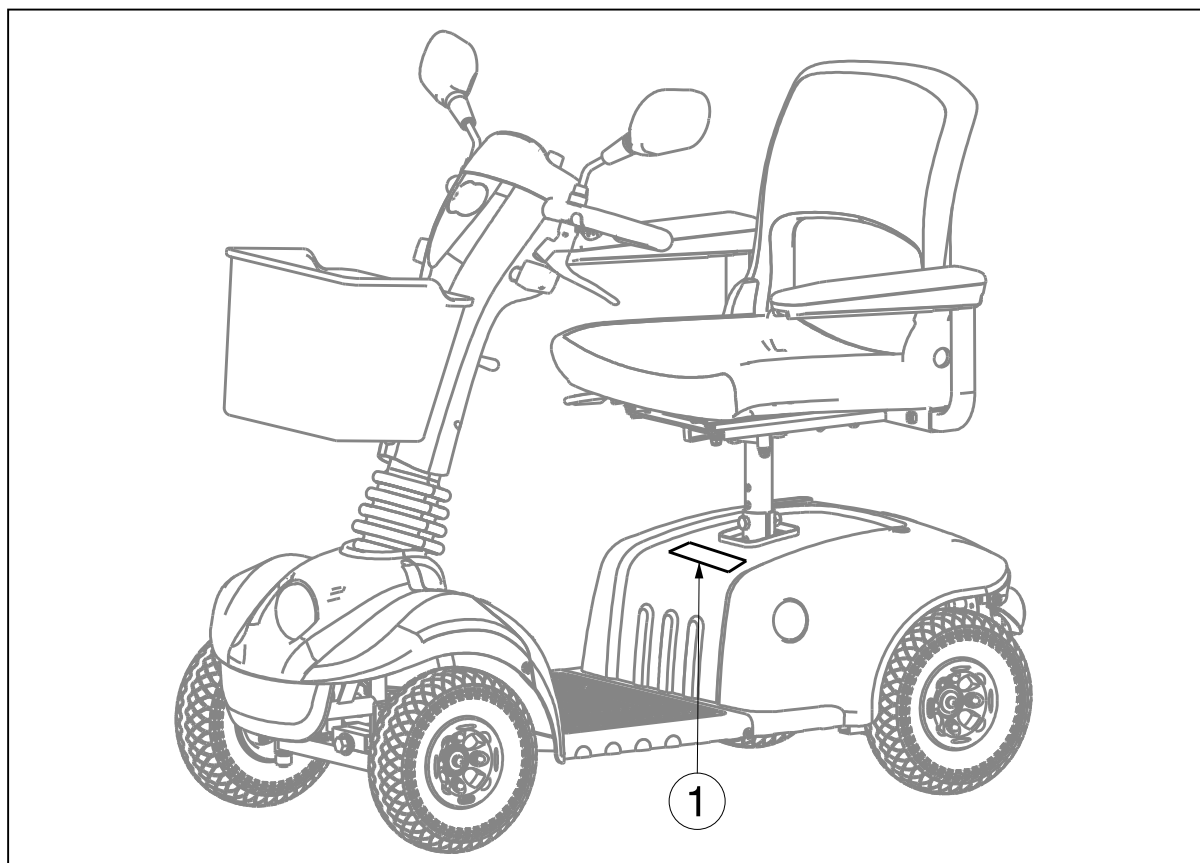
- Porte béquilles
- Scooterpac
- Top case
- Porte rollator

1.4 Composants



1.5 Emplacement de la plaque d'identification

L'emplacement de la plaque d'identification ① se trouve sur le siège couvercle en plastique arrière. Vous pouvez également retrouver une plaque d'identification en dessous du coffrage de la batterie.



1.6 Explication des symboles



Poids maximum



Utilisation pour l'extérieur



Utilisation pour l'intérieur (uniquement pour le chargeur de la batterie)



Collecte et recyclage séparés d'équipements électriques et électroniques (uniquement pour le chargeur de la batterie)



Classe de protection II



Pente sécurisée maximale



Conformité CE



Vitesse maximale



Ne convient pas pour être utilisé comme siège dans un véhicule motorisé



Désignation type



Avertissement : Ne pas serrer les mains/doigts

1.7 Durée de vie attendue

La durée de vie moyenne de votre scooter est de 5 ans. Elle augmentera ou diminuera suivant la fréquence d'utilisation, les conditions de conduite et l'entretien.

2 Utilisation

Ce chapitre décrit l'utilisation quotidienne. **Ces instructions sont destinées à l'utilisateur et au distributeur.**

Le scooter est livré entièrement assemblé et réglage par votre distributeur. Les instructions destinées au distributeur pour le réglage du scooter sont indiquées au § 3.

2.1 Explication de la compatibilité électromagnétique (EMC)

Votre scooter a été testé conformément à la norme ISO 7176-21.

Nous désirons attirer votre attention sur le fait que les sources d'ondes électromagnétiques (par exemple : les téléphones cellulaires) sont susceptibles de créer des interférences. L'électronique du scooter lui-même peut également affecter d'autres appareils électriques.

Afin de réduire l'effet des sources électromagnétiques d'interférences, veuillez lire les avertissements suivants :

- ⚠ AVERTISSEMENT : Le scooter peut perturber le fonctionnement d'appareils dans son environnement qui émettent un champ électromagnétique.**
- ⚠ AVERTISSEMENT : Les caractéristiques de conduite du scooter peuvent être influencées par les champs électromagnétiques (par exemple : les générateurs d'électricité ou les sources avec une puissance élevée).**
- ⚠ AVERTISSEMENT : Évitez d'utiliser une télévision ou radio portable dans l'environnement immédiat de votre scooter aussi longtemps qu'il est allumé.**
- ⚠ AVERTISSEMENT : Évitez d'utiliser un émetteur-récepteur ou un téléphone mobile dans l'environnement immédiat de votre scooter aussi longtemps qu'il est allumé.**
- ⚠ AVERTISSEMENT : Vérifiez la zone pour les antennes émettrices et évitez d'utiliser le scooter à proximité de celles-ci.**
- ⚠ AVERTISSEMENT : Si des mouvements involontaires ou un freinage survient, éteignez le scooter dès que vous êtes dans une position sécurisée pour le faire.**

Les champs électromagnétiques interférants peuvent avoir un effet négatif sur les systèmes électroniques du scooter. Les conséquences possibles sont :

- Le désengagement du frein moteur
- Un mouvement incontrôlable par le scooter
- Mouvements de commande non désirés

Dans le cas de champs très puissants ou provoquant des problèmes continus, toute l'électronique peut être perturbée et endommagée d'une manière irrévocable.

Sources de rayonnement possibles:

- Des installations d'émetteurs et de récepteurs portables (récepteur et émetteur avec une antenne fixe montée directement sur l'unité de transmission)
 - Intercom
 - Téléphones cellulaires ou "walkie talkie"
 - Télévision, radio et appareils de navigation portables
 - D'autres appareils de transmission personnels
- Des appareils d'émission et de transmission moyennes mobiles (par exemple : les antennes de voiture, avec l'antenne montée à l'extérieur du véhicule)
 - Intercom (fixe)
 - Installations mains libre (fixes)
 - Radio, télévision et systèmes de navigation fixes
- Appareils de transmission et de réception mobiles de basse gamme
 - Les tours radio et TV
 - Les installations des amateurs d'émissions radio

D'autres appareils tels que les lecteurs CD, les ordinateurs bloc-notes, les téléphones sans fil, les radios AM/FM, les rasoirs électriques et les sèche-cheveux électriques, pour autant que l'on sache, n'auront pas d'influence à condition qu'ils fonctionnent parfaitement et que leur câblage soit en excellent état.

Veillez vous conformer aux instructions d'utilisation qui accompagnent les instruments électriques de ce genre afin de garantir un fonctionnement sans le moindre problème de votre scooter.

1. Ne faites pas fonctionner d'émetteurs-récepteurs manuels, tels que des postes de radio bande publique, ou ALLUMER des appareils de communication personnels, tels que des téléphones cellulaires, quand le scooter électrique est SOUS TENSION.
2. Informez-vous quant à la présence d'émetteurs à proximité, tels que des stations de radio et de télédiffusion et tâchez de vous en tenir éloigné.
3. Si des déplacements imprévus ou un relâchement intempestif des freins devaient se produire, COUPEZ le contact électrique du scooter dès que tout danger est écarté.
4. Sachez qu'en ajoutant des accessoires ou des composants ou en modifiant le scooter électrique, celui-ci peut éventuellement être davantage sensible aux interférences électromagnétiques. (Remarque : il n'existe aucun moyen facile d'évaluer leurs effets sur l'insensibilité globale du véhicule électrique).

L'intensité de l'énergie électromagnétique parasite peut être mesurée en volts par mètre (V/m). Chaque véhicule électrique peut résister à des interférences électromagnétiques ne dépassant pas une certaine intensité. C'est ce que l'on appelle communément le « niveau d'insensibilité ». Plus ce niveau d'insensibilité est élevé, plus la protection est grande. Aujourd'hui, la technologie actuelle est capable d'atteindre un niveau d'insensibilité d'au moins 20 V/m, ce qui fournirait une protection utile contre les sources d'interférences électromagnétiques irradiées les plus communes. Ce modèle de véhicule électrique, tel qu'expédié sans autre modification, possède un niveau d'insensibilité de 20 V/m sans accessoires.

2.2 Porter le scooter

Le meilleur moyen de déplacer le scooter consiste à utiliser le mode de neutre du scooter. Placez le scooter en position neutre et faites rouler le scooter jusqu'à l'endroit désiré.

Si ce n'est pas possible, vous pouvez porter le scooter en suivant les étapes suivantes :

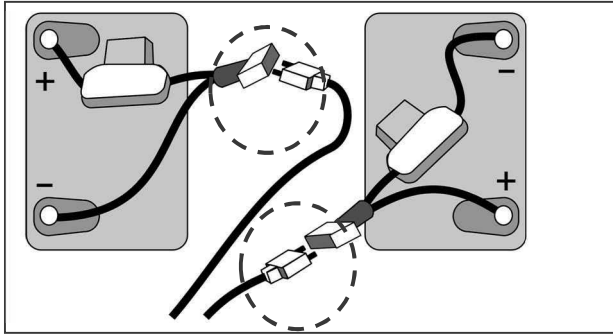
1. Éteignez le scooter.
2. Enlevez les éléments mobiles (le siège et les batteries).
3. Rangez les parties mobiles dans un endroit sécurisé.
4. Déplacez le cadre et l'étrier de direction à deux ou trois personnes vers l'emplacement désiré. Saisissez le scooter sur le châssis, et non au niveau des pare-chocs ou les pièces en matière plastique. Uniquement sur les parties fixes de la structure.

2.3 Assemblage et démontage du scooter

- ⚠ **AVERTISSEMENT** : Risque de blessures - Assurez-vous que toutes les parties mobiles sont assemblées correctement.
- ⚠ **AVERTISSEMENT** : Risque de lésion - Le montage et le démontage doivent être réalisés par un personnel spécialisé (par exemple : le commerçant spécialisé).
- ⚠ **AVERTISSEMENT** : Risque de blessures - Soyez prudent pour ne pas vous couper ou vous faire des contusions avec les câbles.
- ⚠ **AVERTISSEMENT** : Risque de blessures - Éteignez le scooter avant le désassemblage.
- ⚠ **ATTENTION** : Risque de pincement - N'insérez pas vos doigts entre les composants du scooter.

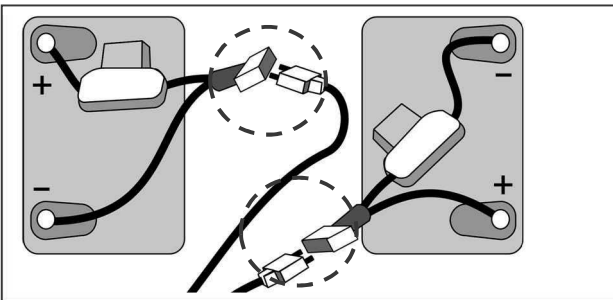
Pour désassembler, veuillez procéder comme suit.

- Éteignez le scooter.
- Enlever le siège (voir le chapitre « Ajustement du siège »).
- Soulevez la couverture plastique arrière des batteries.



- Détachez les sangles utilisées pour maintenir les batteries en place.
- Déconnectez toutes les prises de la batterie (pas les connecteurs) et tous les raccordements avec les câbles et les prises.
- Enlevez les batteries.
- Pliez la colonne de direction vers le bas.

Pour rassembler, veuillez procéder comme suit.

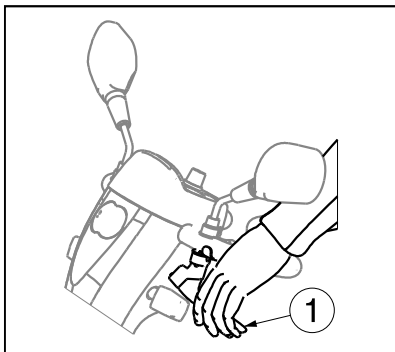


- Mettez la colonne de direction vers le haut.
- Remettez les batteries et connectez les prises de la batterie (les fiches de la même couleur s'assemblent).
- Utilisez les sangles pour fixer les batteries en place de manière à ce qu'elles ne bougent pas, même pendant les conduites.
- Remettez le couvercle batterie en plastique arrière en place.
- Montez le siège (voir le chapitre «Ajuster le siège »).

2.4 Utilisation des freins

Pour actionner les freins électromagnétiques :

1.



Relâchez le levier de vitesse ou de commande, le frein électromagnétique dans le moteur va s'activer, et le scooter va s'arrêter.

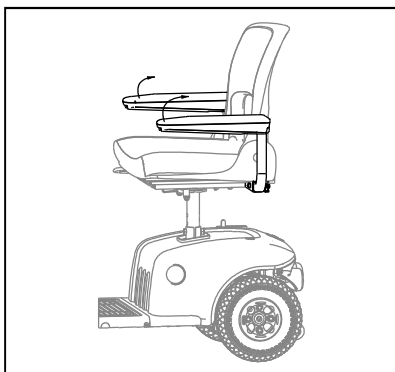
Pour actionner les freins de stationnement (en option):

1. Appuyez sur le levier de frein ① en direction de la poignée.
2. Relâchez le levier de frein ①.

La dureté du frein de stationnement peut être ajustée avec l'ajusteur du câble du frein.

2.5 Transfert dans et hors du scooter

⚠ AVERTISSEMENT : Risque de blessures - Éteignez toujours votre scooter avant monter ou descendre le scooter



1. Stationnez le scooter le plus près possible de l'endroit dans lequel vous désirez réaliser le transfert.
2. Contrôlez que le panneau de commande (scooter) est déconnecté.
3. Relevez l'accoudoir du côté où vous voulez réaliser le transfert.
4. Levez-vous ou asseyez-vous sur le siège du scooter.

2.6 Position correcte dans le scooter

Quelques recommandations pour une utilisation confortable du scooter :

1. Placez votre dos aussi proche que possible du dossier.
2. Assurez-vous que vos jambes sont horizontales.

2.7 Conduire le scooter

⚠ AVERTISSEMENT : Risque de brûlures - Soyez prudent lorsque vous roulez dans des environnements extrêmement chauds ou froids (soleil, froid extrême, sauna, etc.) pour une durée déterminée et lorsqu'il y a des contacts - Les surfaces peuvent absorber la température ambiante.

⚠ AVERTISSEMENT : Risque dans le cas de limites non sécurisées – Utilisez uniquement les caractéristiques de conduite décrites dans ce manuel.

⚠ AVERTISSEMENT : Risque de blessures - Éteignez toujours votre scooter avant monter ou descendre le scooter

2.7.1 Préparation du scooter pour l'utilisation

Lorsque vous utilisez votre scooter pour la première fois, assurez-vous qu'il est posé sur le sol. Toutes les roues doivent être en contact avec le sol.

1. Pour la première utilisation, chargez entièrement les batteries.
2. Assurez-vous que le moteur est engagé.
3. Mettez l'unité de direction dans la position la plus confortable pour vous-même et assurez-vous qu'elle a été sécurisée correctement.
4. Vérifiez que le siège a été verrouillé en position de conduite.
5. Asseyez-vous sur le siège et vérifiez que les deux accoudoirs sont rabaisés afin de pouvoir poser vos bras sur ceux-ci.
6. Insérez la clef de contact et tournez vers la droite, merci d'attendre un minimum de 3 secondes avant d'action le levier de vitesse. Sinon, vous entendrez un bip d'alarme. Si nécessaire, allumez les phares.
7. Contrôlez le témoin de batterie pour voir s'il y a assez d'électricité pour effectuer votre parcours. S'il n'y a pas assez d'électricité, rechargez les batteries avant votre départ.

Maintenant, mettez le contrôle de vitesse sur la commande en position minimale. Votre scooter peut maintenant être utilisé. Ne sélectionnez la vitesse supérieure que dans la mesure seulement où vous êtes sûr de maîtriser parfaitement les commandes et les réactions de votre scooter.

Avant d'utiliser le scooter dans des zones de presse ou potentiellement dangereuses, familiarisez-vous avec le fonctionnement de votre scooter. Nous vous conseillons vivement d'effectuer vos essais dans un endroit non confiné et situé à l'extérieur comme un parc par exemple.

2.7.2 Sortir

Avant de descendre de votre scooter, assurez-vous que les quatre roues touchent le sol simultanément. Maintenant, tournez la clef en position "OFF" (l'indicateur de charge s'éteint) pour éteindre la lumière intégrée.

2.7.3 Stationnement du scooter

Lorsque vous avez éteint votre scooter, aucune commande ne peut être envoyée au système de conduite. Vous ne serez pas en mesure de désactiver les freins électromagnétiques avant de rallumer votre scooter. Stationnez toujours votre scooter sur des sites qui seront bien surveillés ou clairement visibles.

2.7.4 Votre premier voyage

- ⚠ AVERTISSEMENT : Contrôlez votre scooter - Habituez-vous au comportement de conduite de votre scooter.**
- ⚠ AVERTISSEMENT : Contrôlez votre scooter - N'utilisez pas les deux côtés du levier de vitesse simultanément. Cela peut vous faire perdre le contrôle de votre scooter.**
- ⚠ AVERTISSEMENT : Contrôlez votre scooter, risque de blessures - N'ajustez pas la vitesse lorsque vous conduisez.**
- ⚠ AVERTISSEMENT : Risque de blessures - Soyez sûr qu'aucune personne ou qu'aucun objet n'est derrière vous lorsque vous faites une marche arrière.**

- Conduite

Lorsque vous êtes assis sur votre scooter et que vous l'avez démarré de la manière décrite ci-dessus, saisissez les poignées des doigts, tirez le levier de vitesse dans la direction requise, c'est-à-dire :

ACTION DE TIRER DE LA MAIN DROITE	=	MOUVEMENT VERS L'AVANT
ACTION DE TIRER DE LA MAIN GAUCHE	=	MOUVEMENT VERS L'ARRIERE

Lorsque vous utilisez votre scooter à l'intérieur, ne mettez pas votre scooter à la vitesse la plus élevée.

- Conduite sur la chaussée

Assurez-vous que l'interrupteur soit réglé sur la vitesse la plus lente lors de l'utilisation du scooter sur le trottoir. La vitesse maximale pour rouler sur le trottoir dépend d'un pays à l'autre. Vérifiez le code de la route du pays concerné.

L'interrupteur peut être réglée au plus rapide pour une utilisation sur la route ou sur un terrain privé.

- Freins

Pour freiner, lâchez le levier de vitesses/de conduite, qui va retourner dans la position zéro et ralentir votre scooter pour qu'il s'arrête en douceur. Entraînez-vous à pousser et à freiner pour vous habituer au scooter. Vous devez être en mesure d'estimer de quelle manière votre scooter va réagir lorsque vous conduisez ou freinez.

Ne coupez pas l'interrupteur d'alimentation électrique en roulant, ce qui provoquera un arrêt d'urgence pouvant entraîner un accident et vous risquez de surcroît de vous blesser.

- Conduire dans des coins ou des virages

- ⚠ AVERTISSEMENT : Risque de basculement - Lorsque vous conduisez dans des virages, vous devez réduire considérablement votre vitesse.**
- ⚠ AVERTISSEMENT : Risque de serrage - Maintenez toujours une distance adéquate avec les obstacles et les angles.**
- ⚠ AVERTISSEMENT : Risque de basculement - Ne conduisez pas votre véhicule en zigzag ou en faisant des manœuvres aberrantes.**

Pour les coins et les angles, utilisez vos deux mains pour tourner la barre de direction dans la direction que vous souhaitez emprunter. Les roues avant vont tourner en conformité avec cette direction et dirigez le scooter dans une nouvelle direction. Il est très important que vous vous assuriez qu'il y a suffisamment d'espace qui vous permet de prendre les virages et les coins. Il faut approcher de préférence le passage étroit dans une courbe large afin de vous permettre d'entrer dans la partie la plus étroite de la manière la plus droite possible. N'oubliez pas que la partie arrière de votre scooter sera plus large dans la majeure partie des cas que la partie avant.

Assurez-vous de ne pas vous introduire dans les courbes et les virages en diagonale. En « réduisant l'angle », il y a des risques que vos roues arrière ne foncent dans des obstacles et ne déstabilisent votre scooter.

2.7.5 Rouler en marche arrière

- ⚠ AVERTISSEMENT : Contrôlez votre scooter - Habituez-vous au comportement de conduite de votre scooter.**
- ⚠ AVERTISSEMENT : Contrôlez votre vitesse - Faites toujours une marche arrière dans la vitesse la plus basse possible.**
- ⚠ AVERTISSEMENT : Risque de collision - Lorsque vous conduisez vers l'arrière, regardez toujours derrière vous.**

Une conduite en arrière nécessite une concentration et une attention accrues (ACTION DE LA MAIN GAUCHE). Lorsque vous conduisez en marche arrière, la vitesse est inférieure à celle en marche avant. Cependant, nous vous conseillons de régler votre régulateur de vitesse au minimum lorsque vous conduisez en marche arrière.

N'oubliez pas que la direction de conduite avec une conduite vers l'arrière est à l'opposé de la marche avant, et que votre scooter va tourner directement dans la direction requise.

2.7.6 En pente montante

- ⚠ AVERTISSEMENT : Contrôlez votre scooter - Habituez-vous au comportement de conduite de votre scooter.**
- ⚠ AVERTISSEMENT : Contrôlez votre scooter - Ne mettez jamais votre scooter en position neutre sur des côtes.**
- ⚠ AVERTISSEMENT : Contrôlez votre vitesse - Utilisez toujours la vitesse la plus faible possible lorsque vous conduisez dans des descentes.**
- ⚠ AVERTISSEMENT : Risque de basculement - Ne dépassez pas l'angle d'inclinaison maximum de la stabilité statique vers le haut (voir le paragraphe « Spécifications techniques »).**
- ⚠ AVERTISSEMENT : Dans des côtes, ne faites pas marche arrière.**

Position assise, en pente montante

- Ajustez la profondeur de l'assise et l'angle du dossier afin de s'asseoir en position la plus en avant; voir le paragraphe §3.4 et §3.5 pour les ajustements.
- Penchez-vous toujours vers l'avant lorsque vous gravissez une forte pente.

Conduisez toujours tout droit sur une côte et évitez que les roues ne se détachent du sol (monter sur des rampes, des montées, etc.) parce que le fauteuil électrique peut basculer. Votre scooter est actionné par l'intermédiaire d'un différentiel. Les deux roues doivent par conséquent rester en contact avec le sol à tout moment. Si l'une des roues ne devait plus être en contact avec le sol, un élément de sécurité va arrêter la transmission de l'énergie en direction des roues, ce qui va arrêter le scooter.

Si vous vous arrêtez dans une pente en lâchant l'accélérateur, le frein moteur va empêcher votre scooter de rouler en marche arrière. Dès que l'accélérateur revient en position zéro, le frein moteur est activé. Pour reprendre votre conduite vers le sommet, appuyez sur la pédale d'accélérateur entièrement pour assurer la libération d'une quantité suffisante de puissance. Cela va permettre à votre scooter de monter lentement la pente.

Si votre fauteuil roulant n'est pas en mesure d'avancer, augmentez le contrôle de la vitesse et réessayez. Lorsque la vitesse n'est pas suffisamment élevée pour monter la côte, vous tournez le régulateur de vitesse plus haut et vous essayez à nouveau.

Lorsque vous gravissez une pente, le témoin indicateur de batterie peut monter et descendre. C'est un phénomène normal qui ne doit pas vous inquiéter.

2.7.7 En pente descente

- ⚠ AVERTISSEMENT** : Contrôlez votre scooter - Habituez-vous au comportement de conduite de votre scooter.
- ⚠ AVERTISSEMENT** : Contrôlez votre scooter - Ne mettez jamais votre scooter en position neutre sur des côtes.
- ⚠ AVERTISSEMENT** : Contrôlez votre vitesse - Déplacez-vous sur les pentes aussi lentement que possible.
- ⚠ AVERTISSEMENT** : Risque de basculement - Evitez les virages raides.
- ⚠ AVERTISSEMENT** : Risque de basculement - Ne dépassez pas le degré maximal de stabilité statique pour les pentes en descendant (voir le paragraphe « Spécifications technique »).

Position assise, en pente descente

- Ajustez la profondeur de l'assise et l'angle du dossier afin de s'asseoir en position la plus en arrière; voir le paragraphe §3.4 et §3.5 pour les ajustements.
- Penchez-vous toujours vers l'arrière lorsque vous descendez une forte pente.

Prenez une descente toujours tout droit. Autrement, les roues peuvent se détacher du sol (risque de basculement). Si l'une des roues arrière n'est pas en contact avec le sol, la transmission de l'énergie sera arrêtée et le scooter va s'arrêter.

Le poids du scooter va augmenter votre vitesse de descente. Tournez le contrôle de vitesse vers le bas et ajustez votre vitesse en fonction des conditions.

Évitez les virages raides dans des descentes. Le poids de votre scooter peut faire en sorte que votre scooter se soulève d'un côté ou tombe même dans les virages.

2.8 Conduire le scooter sur des rampes

- ⚠ AVERTISSEMENT** : Risque de blessures - Ne dépassez pas la charge maximale des rampes.
- ⚠ AVERTISSEMENT** : Risque de blessures - Choisissez les rampes appropriées afin de ne pas provoquer des blessures ou des dommages.
- ⚠ AVERTISSEMENT** : Risque de blessure - Remarquez que le poids considérable du scooter génère d'importantes forces inversées lorsqu'un assistant pousse le scooter sur les rampes.
- ⚠ AVERTISSEMENT** : Risque de lésions – Assurez-vous que la hauteur de roues soit suffisamment élevée afin d'atteindre la hauteur libre des plaques de montée. Le cadre du scooter ne peut pas toucher les rampes.

Lorsque vous désirez utiliser des rampes pour passer des obstacles, vous devez tenir compte de ce qui suit :

1. Demandez la charge maximale des rampes au fabricant.
2. Passez sur les rampes avec la vitesse la plus faible possible.
3. Voir les instructions dans le chapitre « Votre premier voyage ».

2.9 Aborder les obstacles avec le scooter

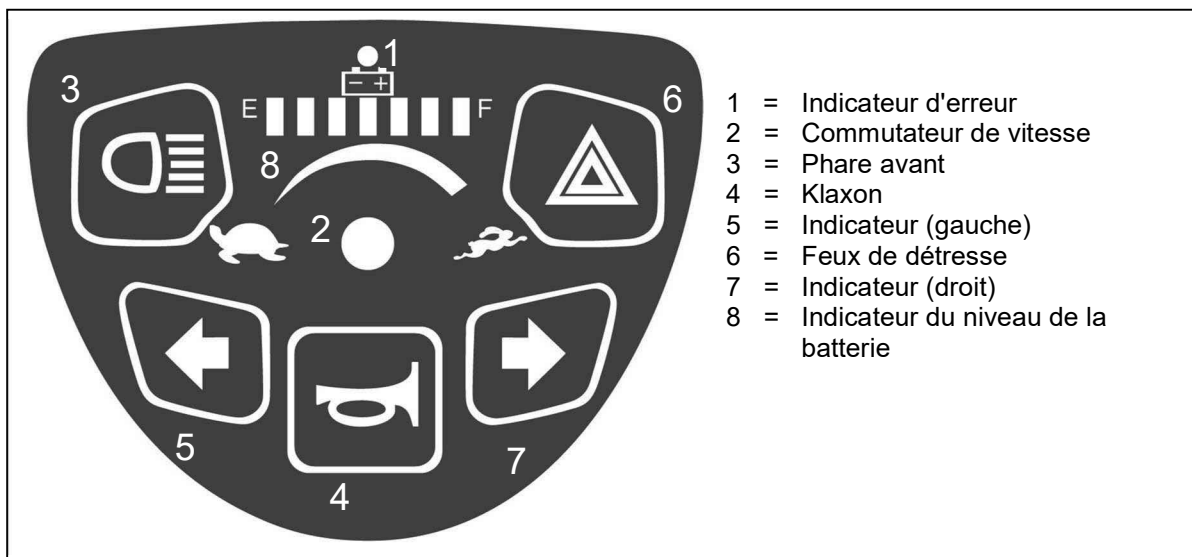
- ⚠ AVERTISSEMENT** : Risque de blessures en cas de mouvement inattendu
 - N'utilisez pas votre scooter sur un escalier mécanique.
 - Ne roulez PAS sur des pentes, obstacles, marches ou bordures plus larges que la dimension décrite dans la spécification technique au §1.2.
 - Abordez toujours une bordure de face.
 - Assurez-vous que les quatre roues sont en contact avec le sol pendant que vous montez ou descendez.

ATTENTION : Risque de dommages

Si nécessaire, prenez un court élan pour accélérer et monter l'obstacle ou la bordure avec le scooter. Prenez garde au danger de recul.

2.10 Télécommande

- Placez le contacteur sur « ON », merci d'attendre un minimum de 3 secondes avant d'action le levier de vitesse. Sinon, vous entendrez un bip d'alarme.
- Maintenant, l'indicateur du niveau de la batterie ⑧ va s'allumer et montre le niveau actuel de vos batteries.
- Maintenant, tournez le commutateur de vitesse ② vers la vitesse de conduite désirée.
- Tirez le levier de conduite avec vos doigts vers l'arrière (levier droit pour un mouvement vers l'avant, levier gauche pour un mouvement vers l'arrière).
- Pour faire retentir le klaxon, appuyez sur la touche du klaxon ④.
- Pour allumer les phares avant et arrière, vous devez appuyer sur le touche ③.
- Pour activer les clignotants d'urgence, appuyez sur le bouton ⑥.
- Pour allumer les clignoteurs, vous devez appuyer sur le bouton souhaité ⑤ et ⑦ (gauche = clignoteur gauche, droite = clignoteur droit).
- Pour arrêter le scooter, lâchez le levier de vitesse en dessous du contrôle de l'opérateur.



Vermeiren est responsable des modifications du logiciel. Pour des adaptations du logiciel, contactez Vermeiren.

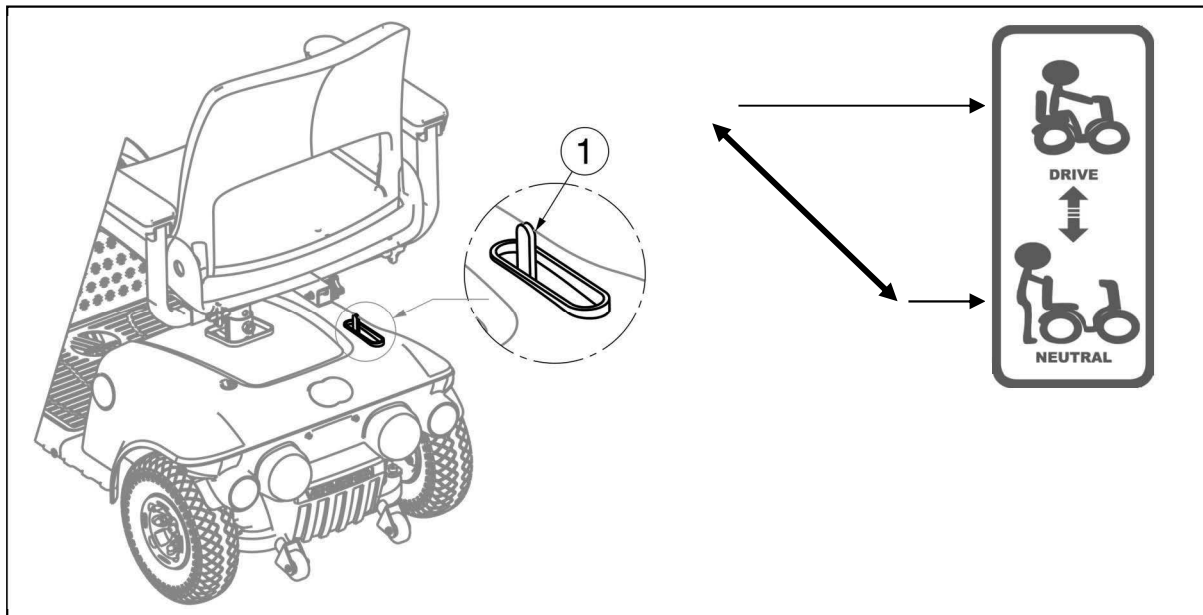
2.11 Neutre

- ⚠ **AVERTISSEMENT** : Contrôlez votre scooter - Ne mettez jamais votre scooter en position neutre lorsque vous conduisez.
- ⚠ **AVERTISSEMENT** : Contrôlez votre scooter - Ne mettez jamais votre scooter en position neutre sur des pentes. Il peut continuer à rouler accidentellement.
- ⚠ **AVERTISSEMENT** : Risque de blessures - Ne soulevez jamais la commande électronique avant d'arrêter le moteur/les vitesses pour empêcher le moteur de surchauffer.

Le scooter est équipé d'un élément de roue libre qui est accessible et qui peut être utilisé par l'assistant ou l'utilisateur lorsqu'il n'est pas assis sur le scooter. Vous pouvez uniquement utiliser le scooter en position neutre pour transporter le scooter ou pour le déplacer en dehors d'une zone dangereuse.

Mettez le scooter en position neutre avec le levier d'arrêt du moteur ① à l'arrière du scooter.

- Conduite
 1. Actionnez le levier d'arrêt du moteur ① en roulant. Cela va à nouveau verrouiller le moteur et les vitesses.
 2. Activez le commutateur ON/OFF, et mettez-le sur ON.
 3. La conduite contrôlée de manière électronique est maintenant possible.
- Neutre
 1. Désactivez le commutateur ON/OFF, et mettez-le sur OFF.
 2. Mettez le levier d'arrêt du moteur ① en position neutre (voir l'étiquette). Cela sépare le moteur des vitesses.
 3. Le scooter peut être poussé sans commande électronique.



2.12 Transport

2.12.1 En avion

i Le scooter étant équipé d'une batterie étanche du type AGM, il est possible de le transporter (en totalité) par avion. Consultez votre compagnie aérienne pour les procédures de traitement, avant de réserver votre vol.

Avant de passer le scooter au personnel de l'aéroport, débranchez-le, et si nécessaire, retirez la batterie du scooter. Voir aussi section §3.11, de remplacement de la batterie.

2.12.2 En voiture

⚠ DANGER : Risque de blessure - Le scooter ne convient pas pour une utilisation comme siège dans un véhicule motorisé, comme l'indication du symbol illustré ici.



⚠ AVERTISSEMENT : Risque de blessure - Enlevez toutes les parties mobiles avant le transport.

⚠ AVERTISSEMENT : Risque de blessures - Aucune personne ou aucun objet ne peut se trouver en dessous du scooter, sur la palette ou sur le siège pendant le transport.

⚠ AVERTISSEMENT : Risque de blessure – Vérifiez que le scooter est bien fixé. Vous éviterez ainsi des blessures des passagers en cas de collision ou de freinage brutal.

⚠ AVERTISSEMENT : Risque de pincement - N'insérez pas vos doigts entre les composants du scooter.

La meilleure manière de transporter votre scooter dans la voiture est de conduire le scooter dans la voiture en utilisant des rampes.

Lorsque vous n'avez aucune expérience pour conduire le scooter en utilisant des rampes, vous pouvez également mettre le scooter au mode neutre et pousser le scooter dans la voiture en utilisant des rampes.

Lorsque le scooter ne s'adapte pas dans la voiture, il est également possible de transporter le scooter en respectant les étapes suivantes :

1. Enlever toutes les parties mobiles avant le transport (sièges, etc.).
2. Stockez ces parties amovibles en toute sécurité.
3. Si possible, enlevez les batteries/le boîtier des batteries pour gagner du poids.
4. Pliez la colonne de direction vers le bas avec l'ajustement d'angle.
5. Placez le scooter dans la voiture avec deux ou trois personnes.
6. Attachez le châssis du scooter d'une manière sécurisée au véhicule.

2.13 Coupure automatique de l'alimentation électrique

Afin d'éviter que votre batterie ne tombe accidentellement à plat, votre scooter est équipé d'un dispositif de coupure automatique de l'alimentation électrique. Si votre scooter est sous tension, l'alimentation électrique sera coupée automatiquement après une période de dix minutes d'inactivité. Dans un cas de ce genre, coupez tout simplement l'alimentation de votre scooter, remettez-le sous tension et il sera de nouveau prêt pour une nouvelle utilisation.

2.14 Chargement des batteries

AVERTISSEMENT Risque de blessures et de dommages dus au feu

- Utilisez exclusivement la/les batterie(s) ainsi que le chargeur fournis avec votre produit. L'utilisation de toute autre batterie ou de tout autre chargeur peut être dangereuse (risque d'incendie). Prenez contact avec votre commerçant spécialisé pour un éventuel remplacement.
- Ne tentez en aucun cas d'ouvrir ou de changer la batterie, le chargeur, les câbles et les fiches, ni de changer leurs points de connexion !
- Le chargeur est uniquement destiné à la charge de la/des batterie(s) fournie(s) avec le scooter, et non à celle d'autres batteries.
- Protégez la batterie et le chargeur de batterie contre les flammes, les températures élevées (>50 °C), l'humidité, les rayons du soleil et les chocs importants (par exemple chute). N'utilisez PAS la batterie si ce cas s'est produit.
- Chargez la batterie au moyen du chargeur fourni, à l'intérieur, dans un espace bien aéré et hors de la portée des enfants.
- N'utilisez pas de rallonge pour la charge.

ATTENTION Risque de blessures

La durée de vie des batteries sera plus courte ou plus longue en fonction de l'usage, du terrain et des conditions de conduite.

Lorsque vous planifiez un déplacement, veuillez tenir compte de l'état de charge de la batterie. Soyez conscient de la durée d'autonomie de la batterie, cf. les détails techniques dans §1.2.

ATTENTION Risque d'endommagement de la batterie et/ou de réduction de la durée de vie de la batterie

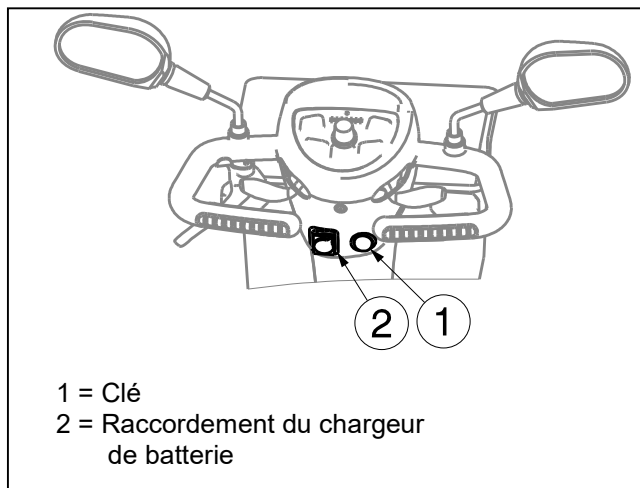
- Veuillez lire le manuel d'utilisation du chargeur et respecter les consignes de sécurité le concernant.
- Si votre scooter est entreposé pour un certain temps, il est recommandé de charger la batterie régulièrement (environ une fois par mois).
- N'interrompez pas le cycle de charge ; attendez que le chargeur indique que la batterie est complètement chargée, cf. le manuel d'utilisation du chargeur. Évitez de recharger la batterie pendant de courtes périodes. Remarque : ceci ne s'applique PAS aux batteries au lithium.
- La batterie peut subir des dommages irréversibles si elle est entièrement déchargée. Assurez-vous donc de la recharger à temps.
- La durée de vie diminue si la batterie est exposée à un froid extrême pendant une période prolongée, cf. les détails techniques dans §1.2.

- **Assurez-vous que tous les points de connexion de la batterie et celui dans son logement sont exempts de poussière et d'autres contaminations.**
- **Protégez votre batterie des sources importantes de rayons électromagnétiques.**

Chargez à fond votre nouvelle batterie avant de l'utiliser pour la première fois.

La diode lumineuse (LED) dans l'unité de commande indique la capacité restante de vos batteries. Vérifiez le fusible si le chargeur de batterie est allumé et qu'aucune diode n'est allumée. Si la diode rouge ne s'allume pas, cela veut dire que le chargeur est défectueux. Consultez votre revendeur spécialisé.

1. Mettez le scooter à l'arrêt.
2. Branchez EN PREMIER LIEU le chargeur de la batterie à une prise de courant 230 V CA.
3. Ouvrez la coiffe de protection du boîtier de chargement.
4. Connectez la batterie au chargeur.
5. Référez-vous au manuel du chargeur de la batterie pour une explication des indicateurs présents sur le chargeur.
6. Lorsque la batterie est complètement chargée, déconnectez la batterie du chargeur.
7. Retirez le chargeur de la prise. Laissez-le refroidir et rangez-le dans un endroit sec.
8. Activez le scooter et vérifiez si tous les témoins d'état de la batterie sont allumés



i En cas de problème empêchant la charge de la batterie conformément aux instructions fournies dans le manuel du chargeur, veuillez prendre contact avec votre commerçant spécialisé.

Si la console de commande affiche le code d'erreur « Problème à la conduite » après la charge, assurez-vous que le chargeur de la batterie est bien déconnecté. Cette mesure de sécurité vous empêche de démarrer lorsque le chargeur est toujours branché au réseau d'alimentation électrique.

3 Installation et réglage

Les instructions de ce chapitre sont destinées à l'utilisateur et au vendeur spécialisé.

Pour trouver un service d'entretien ou un revendeur spécialisé près de chez vous, contactez l'établissement Vermeiren le plus proche. Vous trouverez une liste des établissements sur la dernière page.

⚠ AVERTISSEMENT : Risque de réglages dangereux - N'utilisez que les réglages décrits dans ce manuel.

⚠ AVERTISSEMENT : Risque de basculement - Les ajustements qui peuvent être variables peuvent toujours modifier la stabilité de votre scooter (basculer vers l'arrière ou sur le côté).

3.1 Outils

Les outils suivants sont requis pour le montage du scooter.

- Jeu de clés de 13 à 17
- Jeu de clés Allen de 6

3.2 Mode de livraison

Le scooter sera délivré comme suit :

- Cadre avec accoudoir, colonne de direction, roues avant et arrière
- Palette
- Siège + Dossier
- Batteries (2x), moteur
- Panier
- Rétroviseurs arrière (2x)
- Frein de stationnement
- Chargeur de la batterie
- Accessoires
- Mode d'emploi

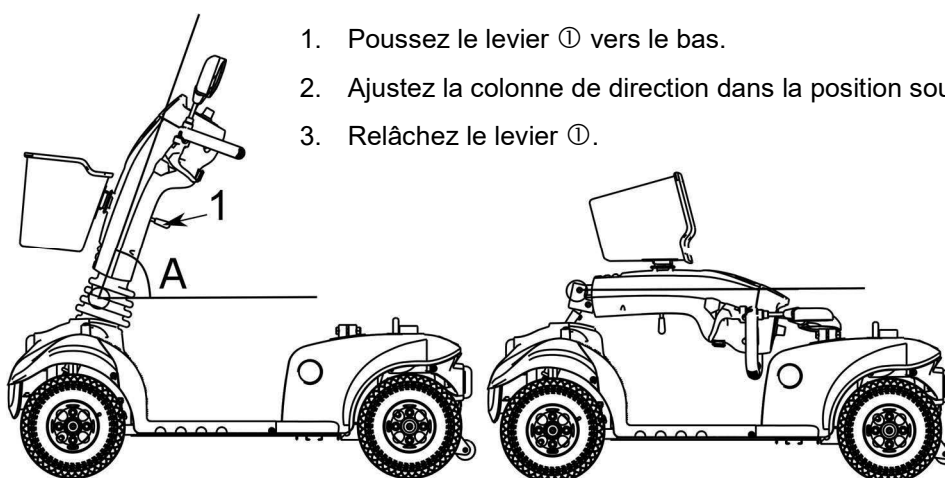
3.3 Adaptation de la colonne de direction

La colonne de direction peut être réglée dans beaucoup différentes positions (par étape) en fonction du conducteur. L'angle de la colonne (A) est adjustable entre 0° (horizontal, sans le siège) et 80° (position haute).

⚠ AVERTISSEMENT : Risque de blessures - N'ajustez jamais l'angle pendant que vous conduisez.

⚠ AVERTISSEMENT : Risque de blessure - Éteignez le scooter avant d'ajuster l'angle de la colonne de direction.

⚠ AVERTISSEMENT : Risque de blessures - Ne vous appuyez pas de tout votre poids sur la colonne de direction.



1. Poussez le levier ① vers le bas.
2. Ajustez la colonne de direction dans la position souhaitée.
3. Relâchez le levier ①.

3.4 Ajustement du siège

⚠ AVERTISSEMENT : Risque de blessures - Ne faites jamais d'ajustements pendant que vous conduisez.

⚠ AVERTISSEMENT : Risque de blessures - Assurez-vous que le siège est verrouillé d'une manière sécurisée.

Enlevez le siège (fig. A)

1. Tirez le levier du siège ① vers le haut.
2. Tournez légèrement le siège ② et soulevez-le long de la barre de réglage en hauteur ③.
3. Lâchez le levier du siège ①.

Verrouillez le siège en place (fig. A)

1. Tirez le levier du siège ① vers le haut.
2. Placez le siège ② sur la barre d'ajustement ⑤ en même temps que vous appuyez sur le levier de réglage ①.
3. Lâchez le levier du siège ①.
4. Vérifiez que l'assise est sécurisée et fermement en place.

Siège pivotant (fig. A)

1. Tirez le levier du siège ① vers le haut.
2. Tournez le siège ② dans la position désirée.
3. Lâchez le levier du siège ①, et le siège va toujours s'arrêter après 20°.
4. Vérifiez que l'assise est sécurisée et fermement en place.

Réglage en profondeur (fig. A)

1. Tirez le levier pour la profondeur du siège ③ vers l'extérieur.
2. Déplacez le siège ② vers l'avant ou vers l'arrière sur les conduites de la profondeur du siège ④.
3. Pour verrouiller le siège en place, lâchez le levier ③ lorsque le siège ② a atteint la position désirée.
4. Faites pivoter le siège un petit peu jusqu'à ce qu'il se verrouille en position.
5. Vérifiez que le siège est verrouillé d'une manière sécurisée.

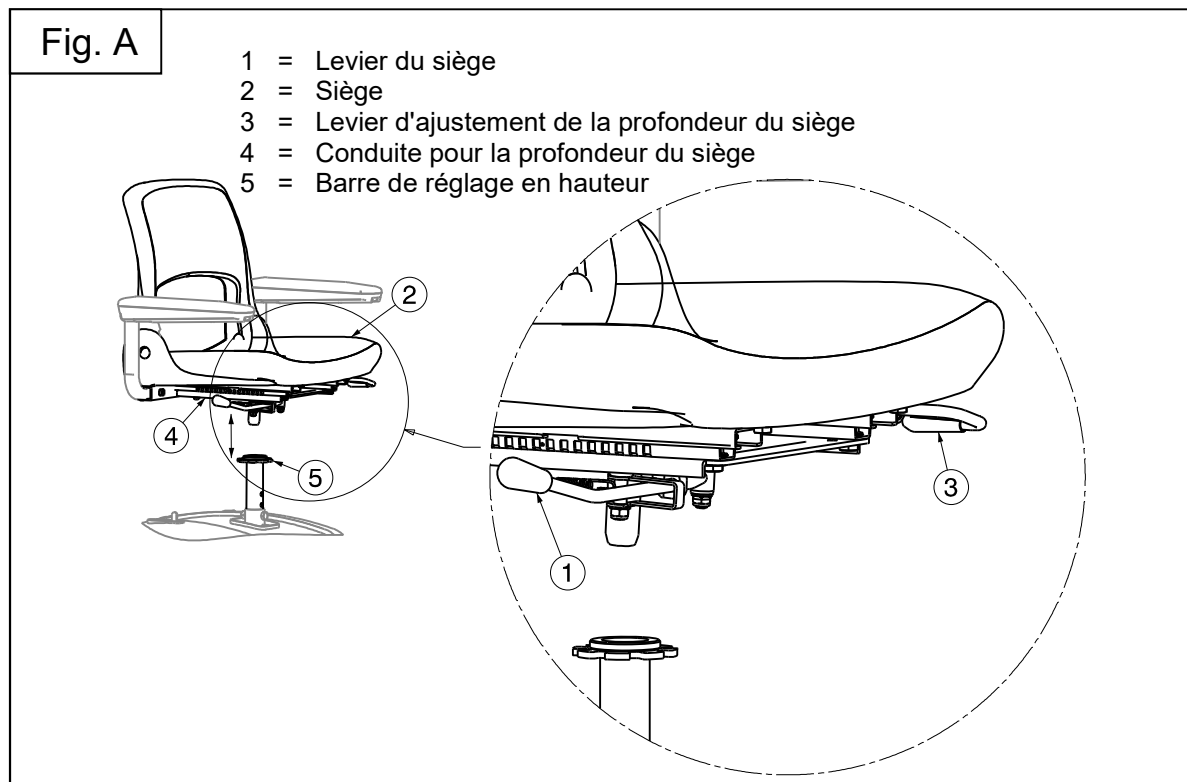
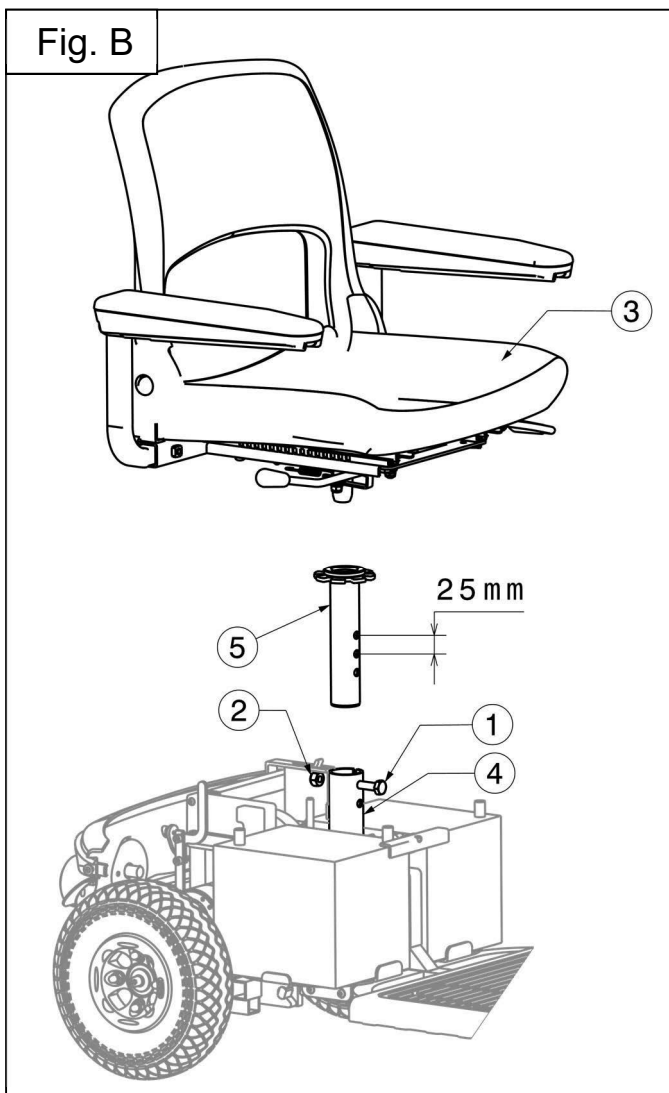
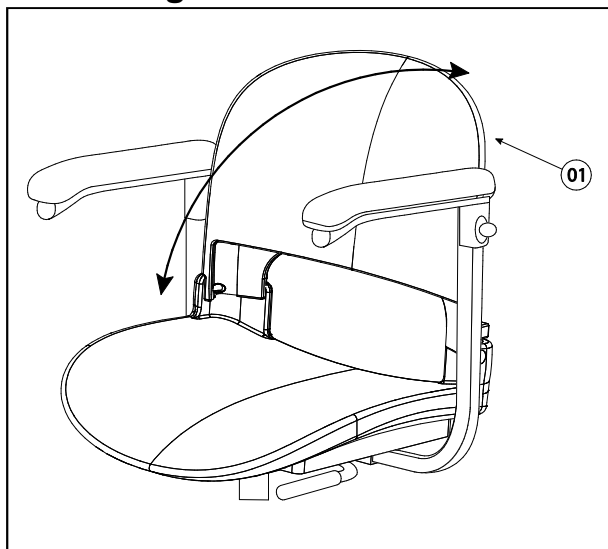


Fig. B



Réglage de la hauteur du siège (Fig. B)
Le siège peut être placé dans 3 hauteurs d'assise différentes (étapes : 25 mm).

1. Enlevez le siège ③ et le couvercle batterie.
2. Enlevez le boulon ① et écrou ②.
3. Glissez la barre de réglage en hauteur ⑤ vers le haut / bas dans le support ④, et placez à la hauteur d'assise confortable.
4. Fixez le boulon ① et écrou ②.
5. Remontez le siège ③ et le couvercle batterie.
6. Vérifiez que le siège ③ est verrouillé d'une manière sécurisée.



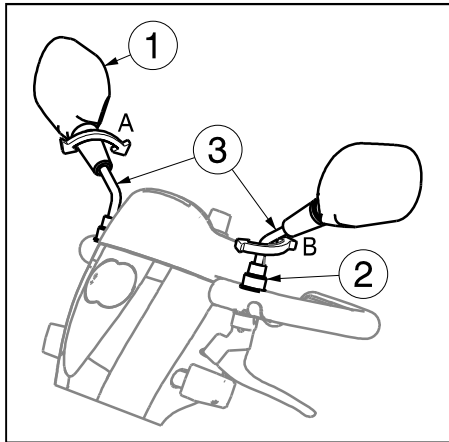
⚠ AVERTISSEMENT : Risque de blessures - Ne faites jamais d'ajustements pendant que vous conduisez.

Appuyez sur le dossier ① avant de rabattre le dossier vers l'avant.

Tirer le dossier vers l'arrière ① afin de placer le dossier en position verticale.

3.6 Réglage des rétroviseurs

Il est possible de régler les rétroviseurs :



Réglage 1 (flèche A) :

1. Saisissez le rétroviseur ①.
2. Tournez le rétroviseur ① dans la position souhaitée.

Ou

Réglage 2 (flèche B) :

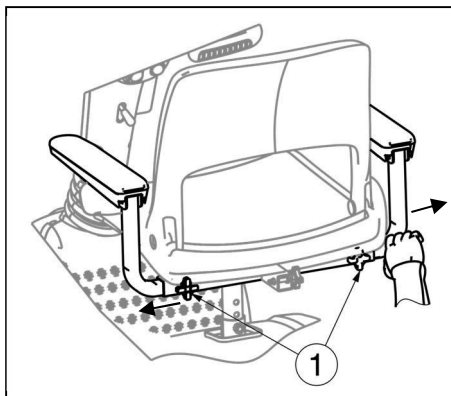
1. Déplacez le bouchon ② vers le haut.
2. Détachez la vis du miroir.
3. Saisissez la conduite ③ en douceur.
4. Tournez avec la conduite ③ et mettez les rétroviseurs ① dans la position souhaitée.

3.7 Réglage des accoudoirs

⚠ ATTENTION : Risque de basculement - Assurez-vous que les accoudoirs sont positionnés de manière symétrique par rapport à l'assise.

⚠ ATTENTION : Risque de lésion - Montez toujours la conduite intérieure avec une distance de sécurité de 50 mm dans la conduite extérieure.

L'accoudoir est réglable en largeur:



3.7.1 Réglage de la largeur des accoudoirs

1. Enlevez le bouton à croisillon ① à l'arrière du scooter.
2. Saisissez la conduite intérieure comme cela est indiqué dans l'illustration.
3. Déplacez cette conduite pour placer l'accoudoir dans la largeur souhaitée (portée : 100 mm de chaque côté):
4. Serrez le bouton croisillon ① manuellement.
5. Vérifiez que l'accoudoir est fixé fermement.

3.8 Changer les pneus

⚠ ATTENTION : Pour le démontage des jantes, laissez toujours d'abord sortir l'air du pneu!

⚠ ATTENTION : Risque de dégâts - Dans le cas d'une mauvaise utilisation, la jante peut être endommagée.

Avant de monter un nouveau pneu, vous devez tenir compte de ce qui suit :

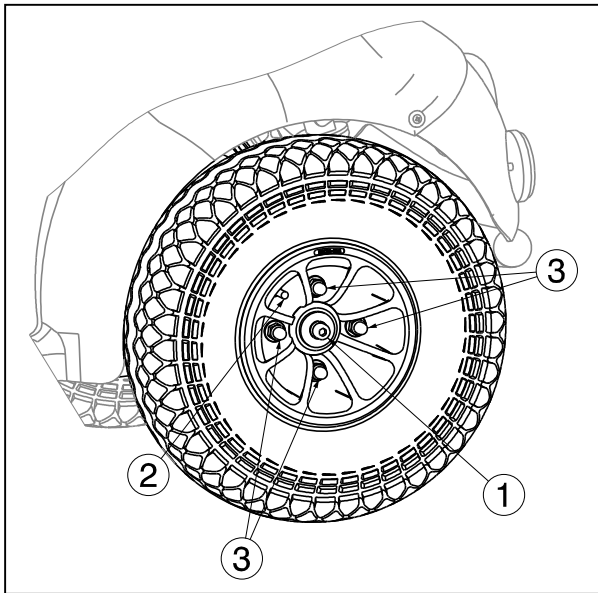
Contrôlez le lit de la jante et l'intérieur du pneu pour voir s'il y a des objets étrangers et nettoyez-les si nécessaires. Contrôlez l'état du lit de la jante, surtout à proximité de l'ouverture de ventilation. Utilisez uniquement des pièces de rechange originelles. La garantie ne s'applique pas aux dommages qui sont causés par des pièces de rechange qui ne sont pas originelles. Contactez votre revendeur.

Montage:

⚠ AVERTISSEMENT : Risque de lésion – Contrôlez que la pression est correcte.

⚠ ATTENTION : Risque de lésions – Assurez-vous que lors du montage, il n'y ait pas d'objets ou de membres entre le pneu et le bord de la jante.

⚠ AVERTISSEMENT : Risque de lésions – Avant d'utiliser le scooter, vous devez contrôler si toutes les vis des roues sont bien fixées. Les vis de la bride doivent être pourvues d'une colle pour vis (par exemple : Loctite). Les colles pour vis tiennent uniquement lorsque tous les filets de vis ne contiennent pas de graisse et de saleté.

**DEMONTAGE**

1. Desserrez et retirez la vis centrale ① de la roue et la bride attachée à votre scooter.
2. Évacuez l'air de la roue en appuyant légèrement sur la valve ②.
3. Détachez les 4 vis ③ à l'intérieur de la jante. Étirez les côtés de la jante.

ASSEMBLAGE

Placez le pneu intérieur légèrement pompé dans le pneu extérieur.

1. Assemblez dans le pneu les deux côtés de la jante, et placez la bride contre la roue puis vissez-les à l'aide des 4 vis ③.
2. Passez la valve ② au travers de l'ouverture prévue dans la jante.
3. Remontez la roue et la bride sur le scooter et attachez les connexions avec la vis centrale ①. Mettez la roue à la pression de pneus prévue.

Contrôlez autour et des deux côtés si le pneu intérieur n'est pas coincé entre le bourrelet et la jante. Glissez à nouveau légèrement la valve pour la remettre en place et tirez dessus afin que le pneu soit bien positionné à proximité de la valve.

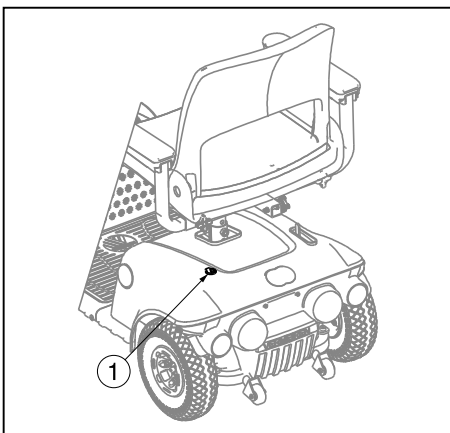
Pour pomper correctement le pneu, vous pompez d'abord de l'air jusqu'à ce que vous puissiez encore bien appuyer sur le pneu avec le pouce. Lorsque la ligne de contrôle indique des deux côtés du pneu la même distance par rapport au bord de la jante, le pneu est correctement centré. Lorsque ce n'est pas le cas, vous devez laisser à nouveau de l'air et aligner de nouveau le pneu. Pompez maintenant le pneu jusqu'à la pression d'utilisation maximale (attention à la pression de remplissage !) et remettez le capuchon sur la valve.

Un montage correct peut uniquement être garanti dans le magasin spécialisé. En cas de travaux qui ne sont pas réalisés par le commerce spécialisé, la garantie est échue.

Faites toujours attention à la pression de remplissage correcte lorsque vous pompez les pneus. Vous pouvez lire cette valeur sur le pneu.

Pour le pompage, utilisez uniquement des pompes appropriées avec une échelle de lecture en bars. Nous n'accordons pas de garantie sur les pompes qui ne sont pas fournies par le fabricant.

3.9 Fusibles thermiques

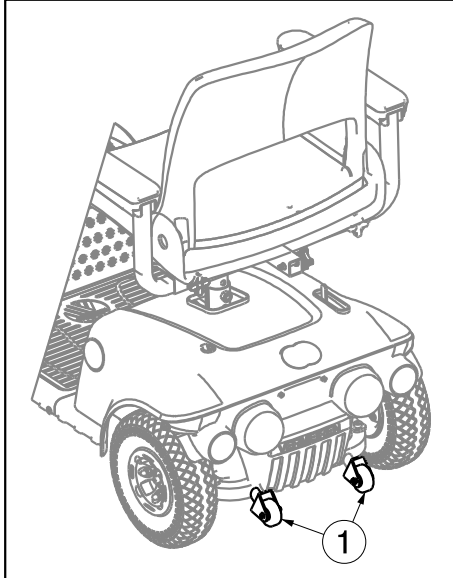


Afin de protéger le moteur contre une surcharge, votre scooter à un mécanisme de sécurité thermique ① à l'arrière de votre scooter. Le fusible thermique va automatiquement arrêter le moteur pour empêcher la surchauffe et donc l'usure rapide ou les pannes. Vous pouvez accéder à l'élément de sécurité thermique par l'intermédiaire d'une fente à l'arrière de la couverture synthétique.

L'équipement de sécurité thermique peut se détacher si vous montez ou descendez des pentes qui dépassent le degré maximal indiqué. Les charges nominales qui dépassent le maximum autorisé peuvent également faire sauter l'équipement. De la même manière, si vous continuez à conduire avec le frein moteur activé, cela peut entraîner une surcharge. Les valeurs maximales qui ne doivent pas être dépassées sont indiquées dans le chapitre sur « Détails techniques » du manuel correspondant.

Afin d'être en mesure d'utiliser à nouveau le scooter, enlevez la surcharge et attendez que le moteur se soit refroidi. Ensuite, activez enfoncé prudemment la sécurité. Vous pouvez maintenant réutiliser le système.

3.10 Anti-bascule



Un anti-bascule ① est fixée à la structure du scooter à l'arrière. Il n'est donc pas possible de l'enlever. L'anti-bascule est là pour votre sécurité. Elle empêche le scooter de basculer vers l'arrière lorsque vous roulez sur de petits obstacles qui ne dépassent pas la hauteur maximale spécifiée.

3.11 Remplacement des batteries

- ⚠ **ATTENTION** : Risque de brûlures - N'entrez pas en contact avec les acides des batteries. Assurez une bonne ventilation du support de batterie.
- ⚠ **ATTENTION** : Risque de blessures ou de dommages - Utiliser uniquement des batteries étanches pour remplacement ; elles sont marquées par l'indication « Non spillable » sur la batterie.

Remplacer les deux batteries à la fois et non une batterie.

Changer la batterie de votre scooter avec les mêmes batteries (Type: **"AGM-Absorbed glass mat"** batteries).

Le chargeur de batterie fourni fonctionne uniquement avec les batteries AGM.

Si vous utilisez d'autres types de batteries, remplacez également le chargeur de batterie. Si vous utilisez des mauvaises batteries, ou des mauvais chargeurs de batteries, la garantie sera alors échue. Veuillez contacter votre revendeur pour d'autres batteries, chargeurs en cas d'incertitude.

Faites remplacer les batteries par un personnel spécialement formé.

Le câblage et le chargeur sont bien situés dans le scooter. N'essayez pas de remettre vous-même en place le câblage. L'installation incorrecte du câblage peut donner lieu à un coincement du câblage entre le boîtier de la batterie, ce qui entraîne un problème au niveau du système électronique de votre scooter.

Assurez-vous que les câbles des batteries sont branchés sur la bonne batterie.

4 Maintenance

Le mode d'emploi des scooters se trouve sur le site Internet de Vermeiren, <http://www.vermeiren.com/>.

⚠ ATTENTION: Risque de dommages corporels et matériels
Les réparations et les remplacements ne peuvent être réalisés que par des personnes formées, et seules des pièces de remplacement d'origine de Vermeiren peuvent être utilisées.



La fréquence d'entretien dépend de la fréquence et de l'intensité de l'utilisation. Prenez contact avec votre revendeur pour convenir d'un rendez-vous pour une inspection/un entretien/une réparation.

Lisez le manuel d'utilisation du chargeur de batterie concernant l'entretien.

4.1 Instructions pour la réutilisation

4.1.1 Sortie du produit pour réutilisation

La dernière page de ce manuel contient un formulaire d'enregistrement permettant au revendeur spécialisé d'enregistrer chaque service. Cette page peut également être utilisée par le service de location pour noter l'inspection, le nettoyage, la désinfection et l'entretien requis. Vérifiez avant chaque réutilisation si la maintenance est enregistrée afin que le produit puisse être validé pour une réutilisation.

4.1.2 L'entretien

Avant chaque utilisation

Inspectez les points suivants:

- A État de la batterie : chargez la batterie si nécessaire, cf. §2.14.
- B État des roues/pneus, cf. §4.1.3.
- C Toutes les pièces : propres, cf. §4.1.4.
- D Console de commande et
- E câbles pertinents : aucun dommage, comme des fils effilochés, cassés ou dénudés.
- F Roues, colonne de direction, console de commande : Bien sécurisé.
- G Assise et dossier: troué, tâché, endommagé ou déchiré. Remplacez le siege / et ou le dossier si nécessaire.

Prenez contact avec votre revendeur spécialisé pour les réparations et les remplacements de pièces éventuels.

Chaque année ou plus souvent

Faites inspecter et entretenir votre scooter par votre revendeur spécialisé au moins une fois par an, ou plus. La fréquence d'entretien minimale dépend de l'usage et doit être déterminée de commun accord avec votre revendeur spécialisé.

En cas d'entreposage

Assurez-vous que votre scooter est entreposé dans un environnement au sec pour éviter la formation de moisissure et l'endommagement du rembourrage.

Si votre scooter est remis pour une période prolongée, vous devrez toujours charger les batteries chaque mois. Pour de plus amples informations, voir §2.14.

4.1.3 Roues et pneus

- A Éliminez les fils, cheveux, le sable et les fibres de vos roues.
- B Vérifiez le profil des pneus. Si la profondeur de la sculpture est inférieure à 1 mm, les pneus doivent être remplacés. Prenez contact avec votre revendeur spécialisé à ce propos.
- C Vérifiez la pression sur chaque pneu. La pression dépend du type de pneu. La pression est lisible sur le côté du pneu.
- D Si le pneu ne tient pas sous pression ou s'il est visiblement à plat, contactez votre revendeur spécialisé pour le remplacer.

⚠ ATTENTION: Risque de dommages corporels et matériels
Assurez vous que la pression maximale ne soit pas dépassée pendant le gonflage. Vérifiez les détails sur le côté du pneu.

4.1.4 Nettoyage

⚠ ATTENTION: Risque de dommages dus à l'humidité
Gardez la console de commande propre et protégez-la de l'eau et de la pluie.
N'utilisez jamais un tuyau ou un nettoyeur à haute pression pour nettoyer le scooter.

Essuyez toutes les parties rigides du scooter avec un chiffon humide (pas détrempé). Si nécessaire, utilisez un savon doux, approprié pour les laques et les synthétiques. Le rembourrage peut être nettoyé à l'eau tiède additionnée de savon doux. N'utilisez pas de produits de nettoyage abrasifs.

Gardez les ouvertures de ventilation du chargeur de batterie propres et exemptes de poussière accumulée. Soufflez la poussière et nettoyez l'ouverture du chargeur de la batterie avec un tissu légèrement humide, si nécessaire.

4.1.5 Désinfection

⚠ ATTENTION: Risque de dommages - La désinfection ne peut être réalisée que par des personnes qualifiées. Renseignez-vous auprès de votre revendeur spécialisé à cet égard.

5 Mise au rebut

À la fin de sa durée de vie, votre scooter doit être évacué conformément à la législation environnementale locale. Il est recommandé de démonter le scooter afin de faciliter le transport des matériaux recyclables. Généralement, les batteries sont évacuées séparément.

6 Déclaration de conformité

Ce produit est certifié CE et considéré comme un dispositif médical de Classe 1.
Le marquage CE indique la conformité de votre produit aux normes de protection de la santé, de la sécurité et de l'environnement pour les produits qui sont commercialisés au sein de l'Espace économique européen.



Une copie de la Déclaration de conformité est disponible sur notre site web :
<http://www.vermeiren.com/>.

INHOUDSOPGAVE

1	Product omschrijving	3
1.1	Toepassingsgebied	3
1.2	Veiligheidsinstructies	4
1.3	Technische specificaties	5
1.4	Accessoires	6
1.5	Onderdelen	7
1.6	Locatie identificatieplaat	7
1.7	Verklaring van de symbolen	8
1.8	Verwachte levensduur	8
2	Gebruik	9
2.1	Toelichting op de elektromagnetische compatibiliteit (EMC)	9
2.2	Dragen van de scooter	10
2.3	Monteren en demonteren van de scooter	10
2.4	Bedienen van de remmen	11
2.5	De scooter op- of afstappen	11
2.6	Correcte positie in de scooter	11
2.7	Rijden met de scooter	11
2.8	De scooter rijden op oprijplaten	14
2.9	Met de scooter obstakels nemen	15
2.10	Besturing	15
2.11	Vrijloop	16
2.12	Transport	16
2.13	Automatische uitschakeling van de voeding	17
2.14	Laden van de batterijen	17
3	Montage en instellingen	19
3.1	Gereedschap	19
3.2	Leveringsomvang	19
3.3	Aanpassing van het stuur	19
3.4	Aanpassen van de zit	20
3.5	Opvouwen van de rug	21
3.6	Verstellen van de achteruitkijkspiegels	22
3.7	Afstellen van de armsteunen	22
3.8	Banden wisselen	23
3.9	Thermische zekeringen	24
3.10	Anti-tipping	24
3.11	Vervangen van de batterijen	25
4	Onderhoud	25
5	Einde levensduur	26
6	Verklaring van overeenstemming	26

Voorwoord

We willen u in de eerste plaats bedanken voor uw vertrouwen door te kiezen voor een van onze scooters.

De verwachte levensduur van uw scooter wordt sterk beïnvloed door de verzorging en het onderhoud van de scooter.

Deze handleiding maakt u vertrouwd met de bediening van uw scooter.

Het naleven van de gebruiks- en onderhoudsinstructies vormen een essentieel onderdeel van de garantiebepalingen.

Deze handleiding houdt rekening met de recentste productontwikkelingen. De Firma Vermeiren behoudt zich echter het recht voor om wijzigingen door te voeren zonder verplicht te zijn voordien geleverde modellen aan te passen of te vervangen.

Als u nog vragen hebt, neemt u best contact op met uw vakhandelaar.

Beschikbare informatie

Op onze website <http://www.vermeiren.com/> kunt u altijd terecht voor de meest recente versie van onderstaande informatie. Raadpleeg deze website a.u.b. regelmatig aangezien de gedrukte versie mogelijk verouderd is.



- Deze handleiding
Personen met een visuele beperking kunnen de elektronische versie van de handleiding downloaden en met behulp van een tekst-naar-spraak softwareapplicatie laten voorlezen.



- De CE verklaring van overeenstemming
Voor gebruiker en vakhandelaar



- Instructies voor montage & demontage van optionele onderdelen
Voor de vakhandelaar



- Service handleiding
Voor de vakhandelaar

Contactgegevens

Om een servicepunt of vakhandelaar in uw buurt te vinden, neemt u contact op met de dichtstbijzijnde Vermeiren faciliteit.

1 Product omschrijving

1.1 Toepassingsgebied

De scooter is bedoeld om personen op een comfortabele manier te transporteren. De scooter is ontworpen voor het transport van 1 persoon. Neem geen passagiers op uw scooter mee (bijvoorbeeld kinderen).

De scooter is ontworpen om volwassenen te transporteren, geen voorwerpen noch personen jonger dan 16 jaar mogen met deze scooter worden vervoerd.

De scooter mag ook niet worden gebruikt door personen die door duidelijke lichamelijke of mentale beperkingen niet in staat zijn de scooter veilig te gebruiken in het verkeer.

Dergelijke beperkingen kunnen veroorzaakt zijn door:

- Gedeeltelijke verlamming of dwarslaesie
- Dementie
- Visuele beperking

De scooter is geclassificeerd als een klasse B scooter.

De scooter is geschikt om buitenshuis door de gebruiker te gebruiken.

Houd bij de individuele verzorging rekening met:

- grootte en lichaamsgewicht (max. 140 kg)
- fysieke en psychologische gesteldheid
- woonomgeving
- milieu

Uw scooter moet gebruikt worden op vlakke ondergronden waarbij alle vier de wielen de grond raken en waarbij het bodem contact voldoende is voor een gelijkmatige aandrijving van alle wielen.

Extra oefening is nodig voor het rijden op ongelijkmatige ondergrond (kasseien, etc.), hellingen en bochten (zijdelings omvallen), evenals het nemen van hindernissen (bvb. Trottoirranden).

De scooter dient niet als klimtoestel of om hete of zware voorwerpen te transporteren.

Wanneer u de scooter op het trottoir en op voetpaden wilt gebruiken, dient u de geldende wettelijke bepalingen na te leven.

De scooter kan gebruikt worden op wandelpaden, wegen binnen de bebouwde kom. Het rijden op snelwegen en autosnelwegen is in ieder geval verboden met uw scooter.

Gebruik enkel door Vermeiren goedgekeurde accessoires.




Vermeiren is niet aansprakelijk voor schade door gebrekkig of onvoldoende onderhoud of als gevolg van het niet naleven van instructies van deze handleiding.

Het naleven van de gebruiks- en onderhoudsinstructies zijn een essentieel onderdeel van de garantievoorzwaarden, hierdoor adviseren we u de volgende pagina's zorgvuldig te lezen.

Mensen met een visuele beperking kunnen contact opnemen met de vakhandelaar voor de gebruikersinstructies.


Opmerking: Dit product is geschikt en goedgekeurd voor hergebruik door een andere patiënt wanneer het geleverd wordt door een verhuurservice. Volg de instructies in §4.1


1.2 Veiligheidsinstructies

-  Gebruik enkel door Vermeiren goedgekeurde accessoires.
-  Schakel de contactsleutel eerst "UIT" voor u in- of uitstapt, uw scooter demonteert of wil transporteren.
-  Wanneer de scooter wordt getransporteerd, mogen geen personen worden vervoerd.
-  Onderzoek het effect van een veranderd zwaartepunt op het gedrag van de scooter (b.v. hellingen, zijdelingse hellingen of hindernissen).
-  Rijd niet op wegen met veel verkeer, modder, kiezels, hobbelige, smalle, besneeuwde, ijzige of jaagpaden niet bewaakt door een hek of haag.
-  Blijf uit de buurt van plaatsen waar de wielen kunnen vastlopen.
-  Let erop dat uw kleren niet geklemd raken tussen de wielen.
-  Let er bij het opnemen van voorwerpen (die zich voor, opzij van of achter de scooter bevinden) op dat u niet te ver zijdelings uit de scooter leunt; gevaar voor kantelen.
-  Zet de scooter nooit in vrijloop op hellingen.
-  Rijd nooit achterwaarts op een helling.
-  Verminder uw snelheid wanneer u een bocht neemt.
-  Neem de scooter niet mee de roltrap op.
-  Neem de handgrepen vast met beide handen, tijdens het rijden.
-  Zet uw benen/voeten tijdens het rijden enkel op de daarvoor voorziene voetplaat.
-  Gebruik uw scooter niet in weersomstandigheden met sneeuw, mist of hevige wind.
-  Wanneer u de scooter buiten parkeert of stockeert, moet u een afdekkap gebruiken die uw scooter beschermt tegen vocht.
-  Bij erg hoge luchtvochtigheid en koude kan het gebeuren dat de scooter minder goed presteert.
-  Gebruik uw scooter enkel met de overeenstemmende regels. Vermijd rechtdoor rijden over obstakels (bv. trede, rand van de stoeprand) of naar beneden rijden van hoge richels.
-  Denk erom dat u op de openbare weg de verkeersregels dient na te leven. Houd ook rekening met andere weggebruikers.
-  Net zoals voor andere voertuigen geldt dat u de scooter niet mag gebruiken onder invloed van alcohol. Dit geldt ook voor verplaatsingen binnenshuis.
-  Pas uw rijstijl bij ritten buiten de woning aan, aan het weer en het verkeer.
-  Zorg ervoor dat u in het donker goed zichtbaar bent. Draag lichte kleding of kleding met reflectoren en zorg ervoor dat de reflectoren op de Scooter goed zichtbaar zijn en rijd met de verlichting ingeschakeld.
-  Controleer of de verlichting van uw scooter niet door vuil of andere voorwerpen is afgedekt.
-  Gebruik de scooter nooit als een zit in een auto of ander voertuig.
-  Let erop dat de banden voldoende profieldiepte hebben.
-  Als uw scooter is uitgerust met luchtbanden, moet u deze tot de juiste bandendruk oppompen (*de juiste waarden staan vermeld op de banden*) voor optimale besturing en stabiliteit van uw scooter.
-  Let erop dat de maximale belasting van de scooter niet wordt overschreden.
-  Overlaad de boodschappenmand niet. De maximale belasting van het mandje is 5 kg.
-  Wij raden aan om geen stekkerdozen of verlengsnoeren te gebruiken. Gebruik de batterijlader rechtstreeks op het stopcontact. Wij raden aan om geen stopcontacten met een tijdsschakelaar te gebruiken.

1.3 Technische specificaties

Onderstaande technische gegevens zijn geldig voor de scooter in standaard instellingen en bij optimale omgevingscondities. Wanneer er andere accessoires worden gebruikt, worden de opgegeven waarden gewijzigd. Bij veranderingen van de buitentemperatuur, luchtvochtigheid, hellingen, dalingen, ondergrond en batterij toestand kunnen de prestatie parameters beperkt zijn.

Merk	Vermeiren		
Adres	Vermeirenplein 1/15, B-2920 Kalmthout		
Type	Scooter met achterwiel aandrijving, Klasse B		
Maximale gewicht van gebruiker	140 kg		
Model	Eris		
Beschrijving	Afmetingen		
Max. snelheid	6 km/u	10 km/u	
Actieradius*	35 km (Batterij 38 Ah) 45 km (Batterij 50 Ah)	29 km (Batterij 38 Ah) 37 km (Batterij 50 Ah)	
Lengte	1185 mm		
Breedte	570 mm		
Hoogte	1150 mm		
Zit breedte	435 mm		
Lengte dichtgevouwen / gedemonteerd	950 mm		
Breedte dichtgevouwen / gedemonteerd	570 mm		
Hoogte dichtgevouwen / gedemonteerd	600 mm (zit verwijderd; stuurkolom naar beneden gevouwen)		
Totaal gewicht	75 kg		
Gewicht zwaarste onderdeel (dat kan worden gedemonteerd of verwijderd)	57 kg (zonder zit) of 46 kg (zonder zit en batterijen)		
Massa van onderdelen die kunnen worden gedemonteerd of verwijderd	Zit: 11 kg; Batterijen: 26,5 kg		
Statische stabiliteit bergaf	9°		
Statische stabiliteit bergop	9°		
Statische stabiliteit zijwaarts	9°		
Dynamische stabiliteit	6°		
Maximale veilige helling	6°		
Grondspeling	50 mm (anti-tipping)		
Maximum hoogte hindernis	75 mm		
Zithoek	6°		
Effectieve zitdiepte	360 mm		
Zithoogte aan voorzijde (gemeten vanaf de grond)	595 mm - 645 mm		
Zithoogte aan voorzijde (gemeten vanaf de voetplaat)	450 mm - 500 mm		
Hoogte voetplaat	145 mm		
Rughoek	25°		
Rughoogte	340 mm		
Afstand tussen armlegger en zit	180 mm		
Afstand voorzijde armsteun	270 mm		
Motor	Nom. 320 Watt, elektromagnetische remmen		
Batterijen	38 Ah	50 Ah	

Merk	Vermeiren		
Adres	Vermeirenplein 1/15, B-2920 Kalmthout		
Type	Scooter met achterwiel aandrijving, Klasse B		
Maximale gewicht van gebruiker	140 kg		
Model	Eris		
Beschrijving	Afmetingen		
Controller	70 A		
Nominale spanning (batterij)	2 x 12V ---		
Beschermingsklasse	IPX4		
Batterijlader	6 Amp (extern)	8 Amp (extern)	
USB connectie	Nee		
Beveiligingsklasse batterijlader	IPx1		
Isolatieklasse batterijlader	II		
Minimale draaicirkel	2900 mm		
Breedte nodig om te keren	2900 mm		
Diameter achterwielen (aantal)	3.00-4 lucht (2)		
Bandendruk, achter (aandrijf)wielen	Max. 3,5 bar		
Diameter stuurwielen (aantal)	3.00-4 lucht (2)		
Bandendruk, stuurwielen	Max. 3,5 bar		
Stuur	Hendel voor snelheidsregeling		
Verlichting	Serie		
Richtingaanwijzer	Serie		
Spiegels	Optioneel		
Opslag en gebruikstemperatuur	+5 °C tot +40 °C		
Werkings temperatuur van de elektronica	-10°C tot +40°C		
Opslag en gebruiksluchtvochtigheid	30%		
Getest en voldoet aan eisen volgens	ISO 7176-14:2008		
Weerstand tot onsteekbaarheid volgens	EN1021-2		
<p>We behouden ons het recht voor om technische wijzigingen te introduceren. Meettolerantie ± 15 mm / 1,5 kg / 1,5°.</p> <p>* De theoretische actieradius zal worden verlaagd als de scooter vaak wordt gebruikt op hellingen, ruw terrein of stoepranden. De maximale rijafstand is getest volgens ISO 7176-4 onder ideale omstandigheden.</p>			

Tabel 1: Technische specificaties

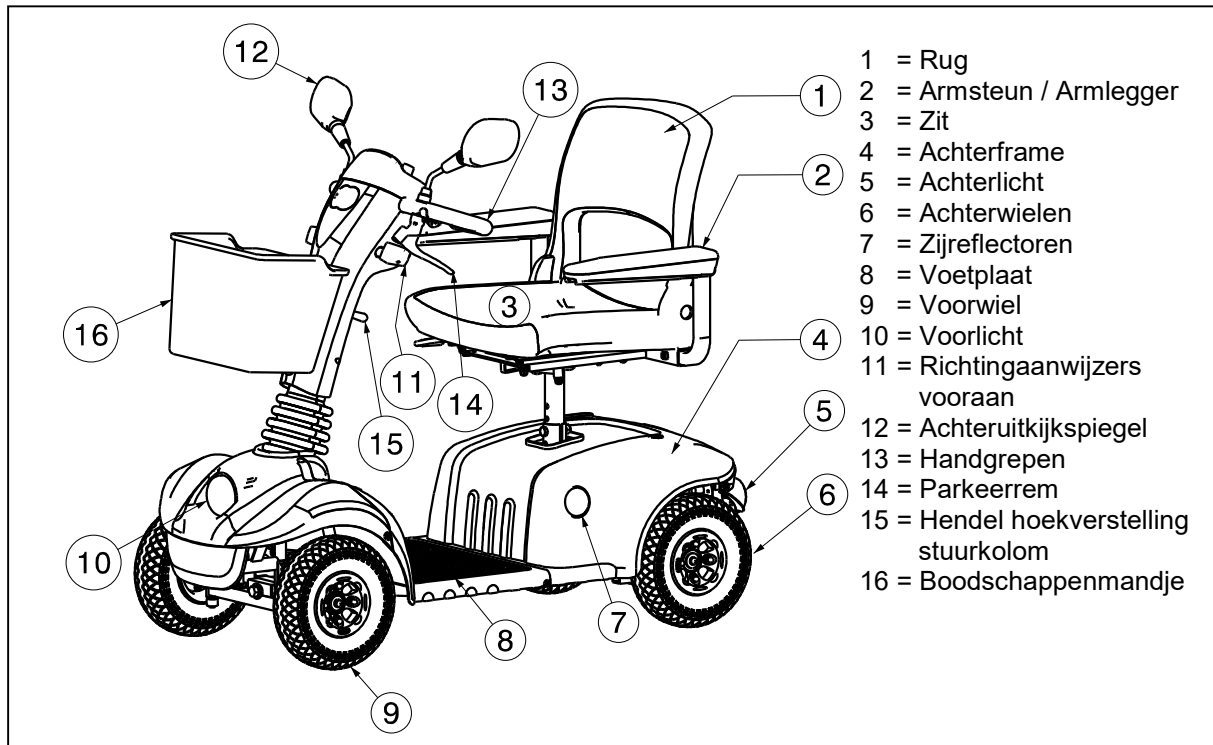
1.4 Accessoires

De volgende accessoires zijn leverbaar voor de scooters Eris:

⚠ WAARSCHUWING: Risico op letsel - Zorg ervoor dat de krukken goed zijn vastgemaakt en niet op de gebruiker kunnen vallen.

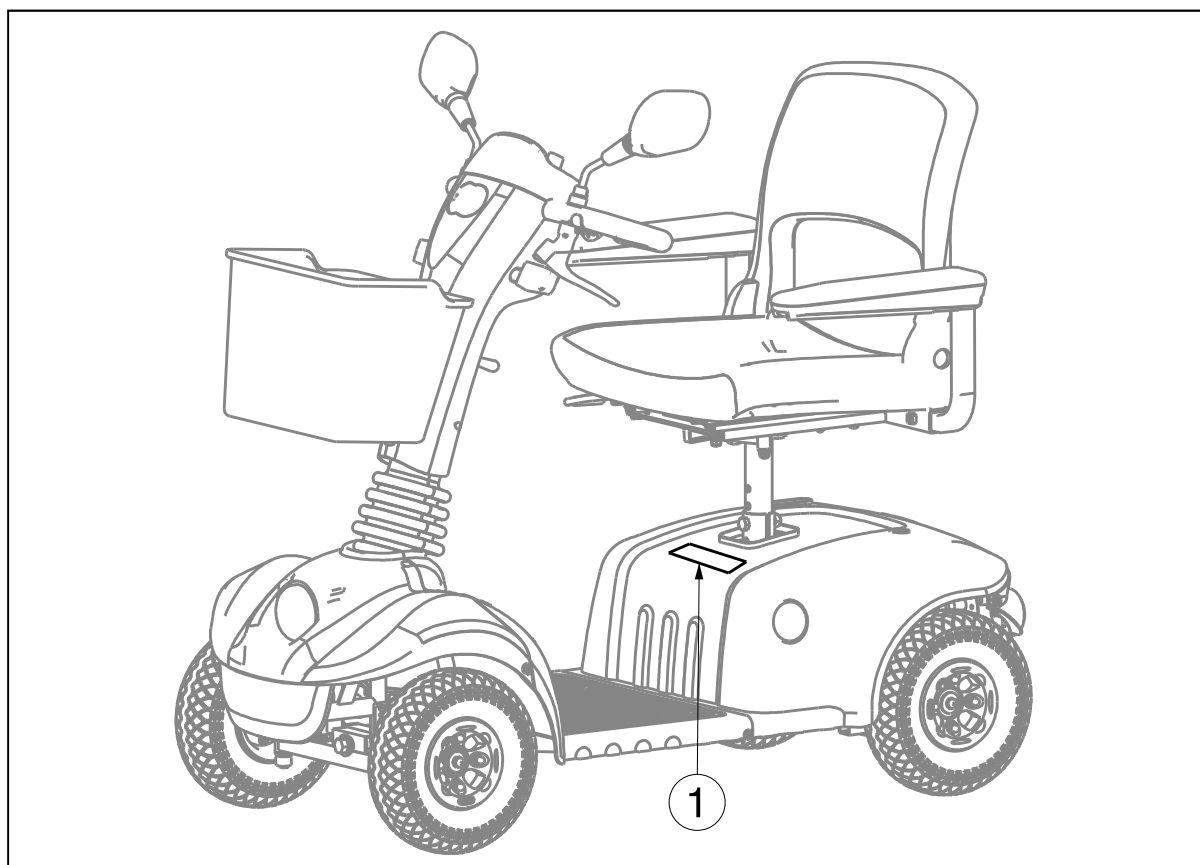
- Krukkenhouder
- Scooterpac
- Topcase
- Rollatorhouder

1.5 Onderdelen



1.6 Locatie identificatieplaat

De locatie van de identificatieplaat ① is op de behuizing achteraan. U kan ook een identificatieplaat onder de batterijbehuizing terug vinden.



1.7 Verklaring van de symbolen



Maximum gewicht



Gebruik voor buiten



Gebruik voor binnen (Enkel voor de batterijlader)



Gescheiden inzameling en recycleren van elektrische en elektronische apparaten
(Enkel voor de batterijlader)



Beschermklasse II



Maximale veilige helling



CE conformiteit



Maximale snelheid



Niet bedoeld om te gebruiken als een zit in een voertuig



Type aanduiding



Waarschuwing: Handen / vingers niet knellen

1.8 Verwachte levensduur

De gemiddelde levensduur van uw scooter is 5 jaar. Afhankelijk van de gebruiksfrequentie, rijomstandigheden en het onderhoud, zal uw scooter langer of minder lang meegaan.

2 Gebruik

Dit hoofdstuk beschrijft het normaal gebruik. **Deze instructies zijn van toepassing voor de gebruiker en de vakhandelaar.**

De scooter wordt gemonteerd en ingesteld door uw vakhandelaar. De instructies voor de montage en instellingen van de scooter staan in § 3.

2.1 Toelichting op de elektromagnetische compatibiliteit (EMC)

Uw scooter is getest volgens ISO 7176-21.

We willen er uw aandacht op vestigen dat elektromagnetische storingen (bv. telefooncellen) kunnen worden veroorzaakt en dat de elektronica van de scooter zelf storingen bij andere elektrische apparaten kan veroorzaken.

Om de elektromagnetische storing te verminderen moet u rekening houden met volgende waarschuwingen:

- ⚠ WAARSCHUWING:** De scooter kan de werking van apparaten in zijn omgeving verstoren die elektromagnetische velden uitzenden.
- ⚠ WAARSCHUWING:** De rijeigenschappen van de scooter kunnen worden beïnvloed door elektromagnetische velden (bijv. Elektriciteit generatoren of bronnen met een hoog vermogen).
- ⚠ WAARSCHUWING:** Gebruik geen draagbare tv's of radio's in de directe buurt van uw scooter zolang deze is ingeschakeld.
- ⚠ WAARSCHUWING:** Gebruik geen zenders-ontvangers of draagbare telefoons in de directe buurt van uw scooter zolang deze is ingeschakeld.
- ⚠ WAARSCHUWING:** Let in uw buurt op zendmasten en vermijd het gebruik van de scooter in de omgeving van dergelijke masten.
- ⚠ WAARSCHUWING:** Wanneer ongewenste omgevingen of remmanoeuvres optreden, moet u de scooter uitschakelen zodra u dit veilig kan doen.

Elektromagnetische velden kunnen de werking van de stuurlektronica storen. Mogelijke gevolgen zijn:

- Loszetten van de motorrem
- Oncontroleerbare gedrag van Uw scooter
- Ongewenste stuurbewegingen

Bij erg sterke of voortdurend storende velden kan de elektronica volledig worden verstoord en onherroepelijk worden beschadigd.

Mogelijke storingsbronnen zijn:

- Draagbare zend- en ontvangstinstallaties (zender en ontvanger met vaste antenne, rechtstreeks gemonteerd op de verzendunit)
 - Intercom
 - Telefooncellen of "walkie talkie"
 - Draagbare TV, radio- en navigatiesystemen
 - Andere persoonlijke zendapparatuur
- Mobielen middenbereik zend- en ontvangstinstallaties (e.g. auto antennes, met de antenne buiten het voertuig gemonteerd)
 - Intercom (vast gemonteerd)
 - Handsfree installaties (vast gemonteerd)
 - Radio-, TV- en navigatiesystemen (vast gemonteerd)
- Zend- en ontvangstinstallaties voor lange afstand
 - Radio- en tv-torens
 - Installaties van radiozendamateurs

Andere huishoudelijke apparaten zoals CD speler, laptop, draadloze telefoons, AM / FM radio's, elektrische scheerapparaten en haardrogers, zover we weten, hebben deze geen invloed, als zij perfect functioneren en hun bekabeling in een uitstekende conditie is. Lees ook de handleidingen van de desbetreffende elektrische toestellen om zo een optimaal gebruik van uw scooter te garanderen.

1. Schakel GEEN persoonlijke handheld communicatieapparaten in, zoals CB-radio's (Citizen Band) of zet geen persoonlijke communicatieapparaten aan, zoals telefooncellen, wanneer de elektrisch aangedreven scooter is ingeschakeld.
2. Houd rekening met de aanwezigheid van zenders, zoals radio- en televisiestations, en probeer uit de buurt van de stations te blijven.
3. Als een ongewenste beweging of rem deblokking plaats vindt, zet u het voertuig UIT zodra u dit veilig kunt doen.
4. Houd er rekening mee dat het toevoegen van accessoires en onderdelen, of het wijzigen van de elektrische scooter, het voertuig gevoeliger maakt voor EMI (Nota: Er is geen gemakkelijke manier om het effect van de storing op het ganse voertuig te meten.)

De intensiteit van de storende elektromagnetische energie kan in volt per meter (V/m) worden gemeten. Elk voertuig kan tot een bepaalde intensiteit EMI (elektromagnetische interferentie) weerstaan. Dit wordt het 'immunitetsniveau' genoemd. Hoe hoger het immunitetsniveau, des te groter de bescherming. Op dit moment wordt met de huidige technologie een immunitetsniveau van ten minste 20 V/m bereikt, wat voor een nuttige bescherming tegen de meer algemene bronnen van uitgestraalde elektromagnetische storing zou moeten zorgen. Deze elektrische scooter heeft bij levering en zonder verdere wijzigingen een immunitetsniveau van 20 V/m zonder enige accessoires.

2.2 Dragen van de scooter

De beste manier om de scooter te dragen is gebruik te maken van het vrijloopsysteem van de scooter. Plaats de scooter in vrijloop en rol de scooter naar de gewenste plaats.

Als dit niet mogelijk is kan u de scooter via onderstaande instructies dragen:

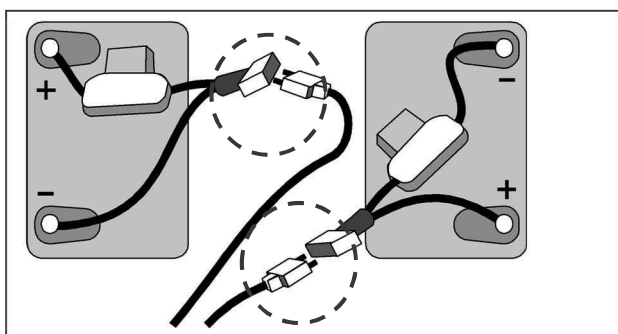
1. Schakel de scooter uit.
2. Verwijder de afneembare onderdelen (zit en batterijen).
3. Stockeer de afneembare onderdelen op een veilige plaats.
4. Draag het frame + stuurunit met 2 of 3 personen naar de gewenste plaats. Til de scooter op aan het chassis, niet aan de schokdempers of de kunststof onderdelen. Enkel aan de vaste onderdelen van het frame.

2.3 Monteren en demonteren van de scooter

- ⚠ **WAARSCHUWING:** Gevaar voor letsel – Zorg ervoor dat alle afneembare onderdelen goed zijn gemonteerd.
- ⚠ **WAARSCHUWING:** Gevaar voor letsel – Monteren en demonteren moet worden uitgevoerd door gespecialiseerd personeel (bv. vakhandelaar).
- ⚠ **WAARSCHUWING:** Gevaar voor letsel – Wees voorzichtig dat u zich niet snijdt of bezeert aan de kabels.
- ⚠ **WAARSCHUWING:** Gevaar voor letsel – Zet de scooter uit alvorens deze te demonteren.
- ⚠ **VOORZICHTIG:** Gevaar op klemmen - Houd uw vingers niet tussen de onderdelen van de scooter.

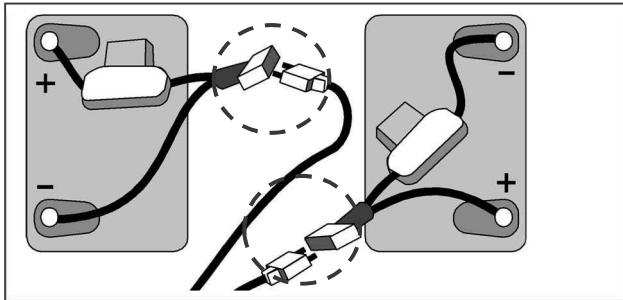
Voor het demonteren dient u deze instructies te volgen:

- Schakel de scooter uit.
- Verwijder de zit (verwijs naar paragraaf "Aanpassen van de zit").
- Neem de kunststof batterij behuizing aan de achterzijde weg.



- Maak de velcro banden los die de batterijen op zijn plaats houden.
- Maak alle batterijstekkers (niet de poolaansluitingen) en alle kabelverbindingen los.
- Verwijder de batterijen.
- Vouw de stuurkolom naar beneden.

Voor het monteren dient u deze instructies te volgen:

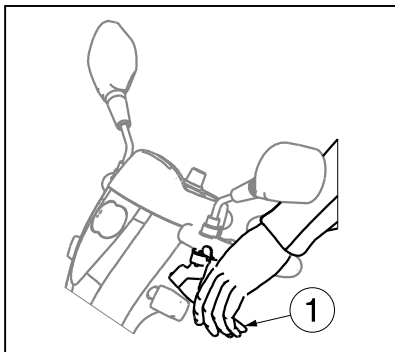


- Zet de stuurkolom naar boven.
- Plaats de batterijen en sluit de batterijstekkers aan (stekkers met dezelfde kleur horen samen).
- Zet de batterijen met de velcro banden terug vast zodat de batterijen zelfs tijdens het rijden niet meer kunnen bewegen.
- Monteer de kunststof batterij behuizing aan de achterzijde.
- Monteer de zit (zie hoofdstuk "Aanpassen van de zit").

2.4 Bedienen van de remmen

Om de elektromagnetische remmen in te schakelen:

1. Laat de snelheids- of gashendel los, de elektromagnetische rem in de motor wordt geactiveerd en de scooter komt tot stilstand.



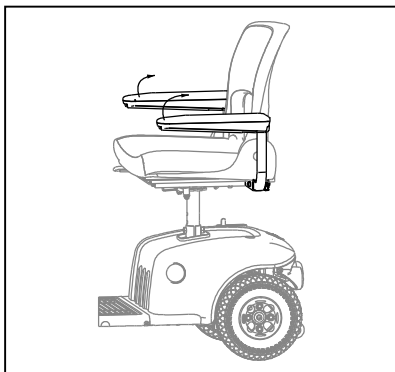
Om de parkeerremmen in te schakelen (optioneel):

1. Druk de remhendel ① naar de handgreep.
2. Laat de remhendel ① los.

De spanning van de parkeerrem kan worden aangepast via de remkabel regelaar.

2.5 De scooter op- of afstappen

⚠ WAARSCHUWING: Gevaar voor letsel – Zet uw scooter altijd uit, voordat u op- of afstapt.



1. Parkeer de scooter zo dicht mogelijk bij de plaats van/naar waar u zich wilt verplaatsen.
2. Controleer dat het bedieningspaneel (scooter) is uitgeschakeld.
3. Zet de armlegger aan de kant waar u de transfer wilt uitvoeren naar boven.
4. Verplaats u van of naar de zit van de scooter.

2.6 Correcte positie in de scooter

Enkele aanbevelingen om comfortabel van uw scooter gebruik te maken:

1. Plaats uw zitvlak zo dicht mogelijk bij de rug.
2. Zorg dat uw bovenbenen horizontaal zijn.

2.7 Rijden met de scooter

⚠ WAARSCHUWING: Gevaar voor brandwonden – Wees voorzichtig bij het rijden in extreem warme of koude omgevingen (zon, extreme koude, sauna's, enz.) voor een bepaalde tijd en bij het aanraken - de oppervlakken kunnen de omgevingstemperatuur aannemen.

- ⚠ WAARSCHUWING: Risico bij onveilige beperkingen – Gebruik enkel de rijeigenschappen beschreven in deze handleiding.**
- ⚠ WAARSCHUWING: Gevaar voor letsel – Zet uw scooter altijd uit, voordat u op- of afstapt.**

2.7.1 Scooter rijklaar maken

Wanneer u de scooter voor de eerste keer gebruikt, moet u ervoor zorgen dat de scooter op een vlakke ondergrond staat. Alle wielen moeten de grond raken.

1. Voor eerste gebruik, dient u de batterijen volledig te herladen.
2. Zorg ervoor dat de motor is ingeschakeld.
3. Zet het stuur in de meest comfortabele positie voor uzelf en zorg ervoor dat deze goed is vastgemaakt.
4. Controleer dat de zit is vastgemaakt in de rijpositie.
5. Zet u neer op de zit en plaats beide armsteunen naar beneden zodat u uw armen hierop kan laten rusten.
6. Plaats de sleutel in het contact en draai naar rechts, wacht gedurende 3 seconden alvorens de gashendel in te drukken anders krijg je een alarm "vertraging bescherming". Indien nodig, schakelt u de koplampen aan.
7. Controleer de batterij-indicator om te zien of er voldoende energie voor uw reis is. Bij niet voldoende capaciteit moet u de batterijen herladen voor vertrek.

Zet nu de snelheidsregelaar van uw besturing in de laagste stand. uw scooter is nu klaar voor gebruik. Stel de snelheid pas hoger in wanneer u de scooter goed kunt gebruiken en beheerst. Voordat u met de scooter in een druk of potentieel gevaarlijk gebied rijdt, maakt u zich vertrouwd met het gebruik van uw scooter. Oefen in een wijd en open gebied, bijvoorbeeld in een park.

2.7.2 Bij einde van de rit

Voor u uitstapt, moet u de scooter zo parkeren dat alle wielen tegelijk de grond raken. Vervolgens schakelt u de scooter "UIT" (laadindicator gaat uit) om de display uit te schakelen.

2.7.3 De scooter parkeren

Wanneer uw scooter uitgeschakeld is, kunnen geen rij-opdrachten meer worden gegeven. De elektromagnetische rem kan pas opnieuw worden uitgezet wanneer uw scooter wordt ingeschakeld. Parkeer uw scooter altijd op parkeerplaatsen onder toezicht of op een goed zichtbare plaats.

2.7.4 Uw eerste rit

- ⚠ WAARSCHUWING: Houd uw scooter onder controle – Maak u vertrouwd met de rijeigenschappen van de scooter.**
- ⚠ WAARSCHUWING: Houd uw scooter onder controle – Druk de gashendel niet aan beide kanten te gelijk in. U kan dan mogelijk uw scooter niet besturen.**
- ⚠ WAARSCHUWING: Houd uw scooter onder controle, risico op letsel - Verander de snelheid niet tijdens het rijden.**
- ⚠ WAARSCHUWING: Risico op letsel - Controleer dat er zich geen personen of voorwerpen achter u bevinden tijdens het omkeren van de scooter.**

- Rijden

Nadat u heeft plaats genomen in de scooter en deze hebt aangezet zoals hierboven beschreven, neemt u de handgrepen met uw vingers vast, trek de gashendel in de gewenste richting:

TREKACTIE MET DE RECHTSE HAND	=	VOORWAARTS RIJDEN
TREKACTIE MET DE LINKSE HAND	=	ACHTERWAARTS RIJDEN

Wanneer u de scooter binnen gebruikt, zet u de scooter best niet in de hoogste snelheid.

- Rijden op de stoep

Controleer dat de begrenzingsschakelaar is ingesteld op de traagste instelling bij het gebruik van de scooter op de stoep. De maximale snelheid om op de stoep te rijden hangt af van land tot land. Controleer de verkeersregels van het desbetreffende land.

De begrenzingsschakelaar kan naar de snelste instelling gezet worden voor het gebruik op wegen of private grond.

- Remmen

Om te remmen laat u de snelheids- / gashendel los zodat deze in neutrale stand gaat. Uw scooter remt zacht af en komt tot stilstand. Oefen het rijden en remmen zodat u het rijgedrag van uw scooter gewoon bent en leert inschatten hoe uw scooter reageert bij het rijden en remmen.

Schakel uw scooter niet "UIT" wanneer u rijdt, aangezien dan een noodstop wordt gemaakt, die een ongeluk en letsel tot gevolg kunnen hebben.

- Rijden in hoeken en bochten

⚠ WAARSCHUWING: Kantelgevaar – Bij het rijden door bochten moet u uw snelheid duidelijk minderen.

⚠ WAARSCHUWING: Kans op klemmen – Houd steeds voldoende zijdelingse afstand tot hoeken en hindernissen.

⚠ WAARSCHUWING: Kantelgevaar - Rijd uw voertuig niet in een S-patroon, of maak geen onregelmatige bochten.

Om hoeken en bochten te nemen draait u het stuur met beide handen in de gewenste richting. De voorwielen draaien en sturen de scooter onmiddellijk in de nieuwe aangegeven richting. Let er bij bochten en hoeken altijd op dat er voldoende plaats is om de bocht of hoek te nemen. Smalle doorgangen moeten zo worden genomen: rij eerst in een zo groot mogelijke bocht naar de doorgang zodat u de smalle doorgang vrijwel recht kan nemen. Denk erom dat uw scooter achteraan meestal breder is dan vooraan.

Vermijd het schuin aanzetten van bochten. Door de bocht te "snijden" kunnen de achterwielen een hindernis raken en zo de stabiliteit van de scooter in het gedrang brengen.

2.7.5 Achterwaarts rijden

⚠ WAARSCHUWING: Houd uw scooter onder controle – Maak u vertrouwd met de rijeigenschappen van de scooter.

⚠ WAARSCHUWING: Houd uw snelheid onder controle – Gebruik bij het achterwaarts rijden altijd de laagste snelheid.

⚠ WAARSCHUWING: Gevaar voor aanrijding – Kijk bij het achterwaarts rijden altijd achterom.

Achterwaarts (DUWACTIE VAN LINKER HAND) rijden moet u met hoge concentratie doen en steeds zeer goed opletten. De snelheid bij het achterwaarts rijden ligt weliswaar lager dan bij het voorwaarts rijden, toch adviseren wij u om bij het achterwaarts rijden de snelheidsregelaar op minimum te zetten.

Denk erom dat bij het achterwaarts rijden de stuurbewegingen omgekeerd worden uitgevoerd en dat uw scooter onmiddellijk in de gewenste richting draait.

2.7.6 Hellingen

⚠ WAARSCHUWING: Houd uw scooter onder controle – Maak u vertrouwd met de rijeigenschappen van de scooter.

⚠ WAARSCHUWING: Houd uw scooter onder controle – Zet bij hellingen uw scooter nooit in vrijloop.

⚠ WAARSCHUWING: Houd uw snelheid onder controle – Gebruik altijd de snelst mogelijke snelheid bij het nemen van hellingen.

⚠ WAARSCHUWING: Kantelgevaar – Overschrijd de maximum hellingshoek van statische stabiliteit bergop niet (zie paragraaf "Technische specificaties").

⚠ WAARSCHUWING: Rijd nooit achterwaarts op een helling.

Zitpositie bij het omhoog rijden

- Verstel uw zitdiepte en de hoek van de rugsteun, om zo ver mogelijk naar voor te zitten, zie sectie §3.4 en 3.5. voor de afstelling hiervan.
- Leun altijd naar voor bij het oprijden van een steile helling.

Rijd altijd recht op een helling en vermijd dat de wielen loskomen van de grond (oprijden van oprijplaten, opritten, enz.) omdat dan de scooter kan kantelen. Omdat uw scooter wordt aangedreven door een differentieel, moeten beide aandrijfwielen steeds in contact blijven met de grond. Wanneer een aandrijf wiel loskomt van de grond, is er om veiligheidsredenen geen krachtoverbrenging en kan de scooter niet verder rijden.

Wanneer u op een helling stopt omdat u de gashendel loslaat, is uw scooter beveiligd tegen onverwachts weggrollen. Wanneer de gashendel in neutrale stand staat, wordt de motorrem geactiveerd. Bij het verder rijden op een helling drukt u de gashendel zo ver mogelijk naar voren, zodat er voldoende energie geleverd wordt om te rijden. Uw scooter zal de helling langzaam oprijden.

Wanneer de snelheid niet hoog genoeg is om de helling te nemen, draait u de snelheidsregelaar hoger en probeert u opnieuw.

Wanneer u op een helling rijdt, gaat de batterij-indicator mogelijk op en neer. Dit is een normaal verschijnsel waarover u zich geen zorgen hoeft te maken.

2.7.7 Dalingen

⚠ WAARSCHUWING: Houd uw scooter onder controle – Maak u vertrouwd met de rijeigenschappen van de scooter.

⚠ WAARSCHUWING: Houd uw scooter onder controle – Zet bij dalingen uw scooter nooit in vrijloop.

⚠ WAARSCHUWING: Houd uw snelheid onder controle – Gebruik altijd de laagst mogelijke snelheid bij het nemen van dalingen.

⚠ WAARSCHUWING: Kantelgevaar – Vermijd scherpe bochten.

⚠ WAARSCHUWING: Kantelgevaar – Overschrijd de maximum hellingshoek van de statische stabiliteit bergaf niet (zie paragraaf "Technische specificaties").

Zitpositie bij het omlaag rijden

- Verstel uw zitdiepte en de hoek van de rugsteun, om zo ver mogelijk naar achteren te zitten, zie sectie §3.4 en 3.5. voor de afstelling hiervan.
- Leun altijd naar achter bij het afrijden van een steile helling.

Neem een daling altijd recht. Anders kunnen de wielen loskomen van de grond (gevaar voor kantelen). Wanneer één van de achterwielen loskomt, is er geen krachtoverbrenging meer en kan de scooter niet meer rijden.

Door het eigen gewicht van de scooter ligt de snelheid bij dalingen hoger. Zet de snelheidsregelaar op een lagere snelheid en pas Uw snelheid aan de situatie aan.

Vermijd scherpe bochten bij dalingen. Door het eigen gewicht van de scooter kan deze opzij loskomen van de grond en omvallen.

2.8 De scooter rijden op oprijplaten

⚠ WAARSCHUWING: Gevaar voor letsel – Overschrijd de maximale belasting van de oprijplaten niet.

⚠ WAARSCHUWING: Gevaar voor letsel – Kies de correcte oprijplaten zodat er geen letsel of schade kan veroorzaakt worden.

⚠ WAARSCHUWING: Gevaar voor letsel – Let erop dat door het aanzienlijke gewicht van de scooter er grote omgekeerde krachten gegenereerd worden wanneer een begeleider de scooter over de oprijplaten duwt.

- ⚠ WAARSCHUWING: Gevaar voor letsel – Zorg ervoor dat de wielhoogte hoog genoeg is om over de vrije hoogte van de oprijplaten te geraken. Het frame van de scooter mag niet tegen de oprijplaten komen.**

Wanneer u voor het nemen van hindernissen oprijplaten wenst te gebruiken, dient u rekening te houden met het volgende:

1. Vraag de maximum belasting van de oprijplaten na bij de fabrikant.
2. Rij de oprijplaten op met de laagst mogelijke snelheid.
3. Zie de instructies in hoofdstuk "Uw eerste rit".

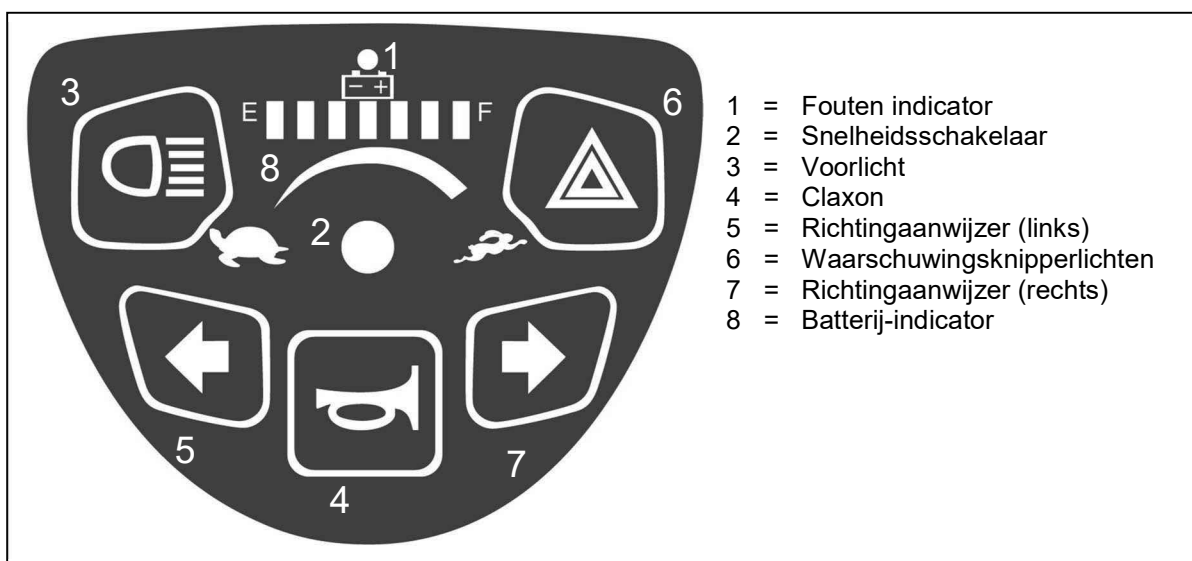
2.9 Met de scooter obstakels nemen

- ⚠ WAARSCHUWING: Kans op letsel door onverwachte beweging**
- Gebruik met uw scooter nooit de roltrap.
 - Neem **GEEN** hellingen, obstakels, treden of stoepranden die **GROTER** zijn dan aangegeven in de technische specificaties in §1.3.
 - Rij een drempel altijd recht van voren op en af.
 - Let erop dat de vier wielen altijd de grond raken tijdens het omhoog of omlaag rijden.

- ⚠ VOORZICHTIG: Gevaar op schade**
Indien nodig, neem het obstakel of drempel met een korte aanloop zodat de scooter meer snelheid heeft. Voorkom dat uzelf en de scooter een grote slag moeten opvangen.

2.10 Besturing

- Zet de AAN/UIT schakelaar op AAN, wacht gedurende 3 seconden alvorens de gashendel in te drukken anders krijg je een alarm "vertraging bescherming".
- Nu licht de batterij-indicator ⑧ op en geeft de huidige lading van de batterijen weer.
- Zet de snelheidsschakelaar ② naar de gewenste rij snelheid.
- Trek de gashendel met uw vingers naar achteren (rechtse hendel voor voorwaartse beweging, linkse hendel voor achterwaartse beweging).
- Om de claxon te horen, drukt u de claxon toets ④ in.
- Om de voorste en achterste lichten aan te zetten, drukt u op knop ③.
- Om de waarschuwingssnipperlichten aan te zetten, drukt u op knop ⑥.
- Om de richtingaanwijzers aan te zetten, druk op de gewenste knop ⑤ en ⑦ (links = linkse richtingaanwijzer, rechts = rechtse richtingaanwijzer).
- Om de scooter te stoppen, laat u de gashendel onder het bedieningspaneel los.



Vermeiren is verantwoordelijk voor de aanpassingen in de software. Voor veranderingen in de software contacteer Vermeiren.

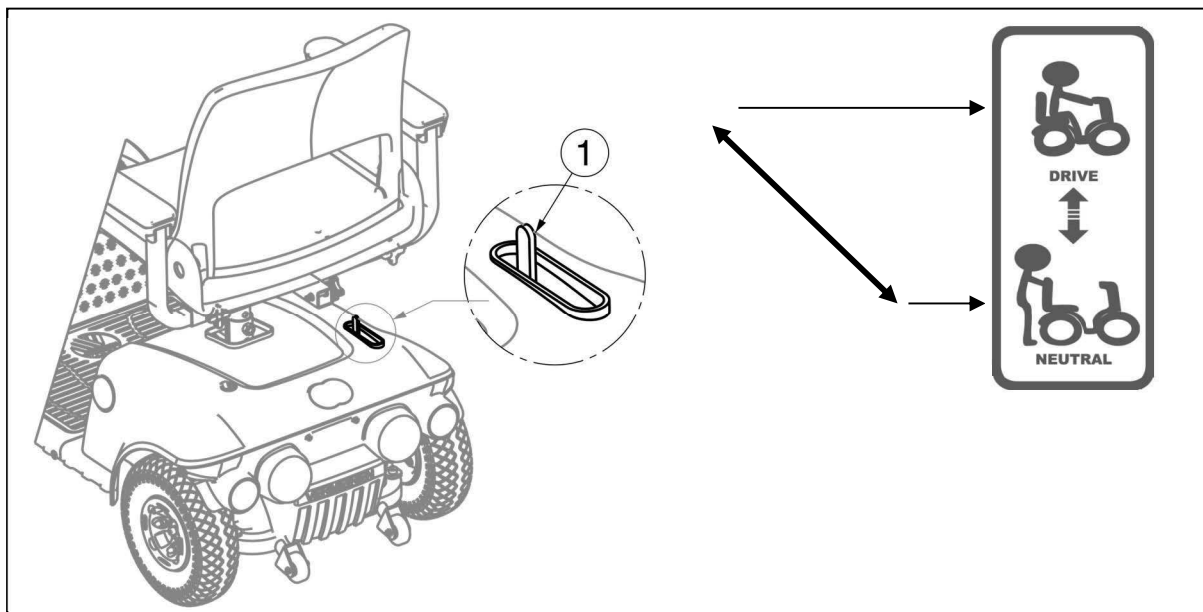
2.11 Vrijloop

- ⚠ **WAARSCHUWING:** Houd uw scooter onder controle – Zet nooit uw scooter in vrijloop wanneer u aan het rijden bent.
- ⚠ **WAARSCHUWING:** Houd uw scooter onder controle – Zet bij dalingen uw scooter nooit in vrijloop. De scooter kan onverwachts weggrollen.
- ⚠ **WAARSCHUWING:** Risico op letsel - Het elektronisch rijden alleen met vergrendelde motor / aandrijving gebruiken om te voorkomen dat de motor oververhit geraakt.

De scooter is voorzien van een vrijloop systeem dat bereikbaar en bedienbaar is door de begeleider of gebruiker indien deze niet in de scooter zit. Gebruik de vrijloop alleen voor de scooter te transporteren of om deze uit een gevaarlijk gebied te halen.

Zet de scooter in vrijloop met de hendel van de motorvergrendeling ① aan de achterkant van de scooter.

- Rijden
 1. Zet de hendel van de motorvergrendeling ① op rijden. Motor en aandrijving worden met elkaar verbonden.
 2. Zet de sleutelschakelaar AAN.
 3. De scooter kan nu alleen door de elektronica worden bestuurd.
- Vrijloop
 1. Zet de sleutelschakelaar UIT.
 2. Zet de hendel van de motorvergrendeling ① op vrijloop (zie markering). Motor en aandrijving worden van elkaar gescheiden.
 3. U kan de scooter nu voortduwen.








2.12 Transport

2.12.1 Per vliegtuig

i De scooter is voorzien van lekvrije AGM batterijen en mag daarom in zijn geheel per vliegtuig vervoerd worden. Neem contact op met de luchtvaartmaatschappij voordat u uw vlucht boekt.

Ontkoppel uw batterij voordat u de scooter aan het luchtvaartpersoneel overhandigt en indien nodig, verwijder de batterij van de scooter. Zie ook sectie §3.11.

2.12.2 Per auto

-  **GEVAAR:** Gevaar voor letsel – De scooter is niet geschikt om te gebruiken als een zit in een motorvoertuig, zoals aangeduid met het symbool in deze afbeelding.
-  **WAARSCHUWING:** Gevaar voor letsel – Verwijder alle afneembare onderdelen alvorens te transporteren.
-  **WAARSCHUWING:** Gevaar voor letsel – Geen personen of voorwerpen mogen zich onder de scooter, op de voetplaat of zit bevinden gedurende het transport.
-  **WAARSCHUWING:** Gevaar voor letsel – Zorg ervoor dat de scooter voldoende vastgemaakt is om verwonding van de inzittenden tijdens aanrijding of plots remmen te voorkomen.
-  **WAARSCHUWING:** Kans op klemmen - Houd uw vingers niet tussen de onderdelen van de scooter.



De beste manier om de scooter in de auto te transporteren is gebruik te maken van de oprijplaten. Wanneer u geen ervaring heeft om de scooter op oprijplaten te rijden, kan u de scooter ook in vrijloop plaatsen en deze via oprijplaten in de auto duwen.


Wanneer de scooter niet in de auto past is het ook mogelijk om de scooter op volgende manier te transporteren:

1. Verwijder alle verwijderbare onderdelen alvorens te transporteren (zit, enz.).
2. Berg deze verwijderbare onderdelen veilig op.
3. Indien mogelijk, verwijder de batterijen / batterijbehuizing om zo gewicht te verminderen.
4. Vouw de stuurkolom naar beneden via de hoekverstelling.
5. Plaats de scooter in de auto met behulp van 2 of 3 personen.
6. Maak het frame van de scooter goed vast aan het voertuig.

2.13 Automatische uitschakeling van de voeding

Om te voorkomen dat de batterij per ongeluk leeg raakt, is uw scooter voorzien van een automatische uitschakeling van de voeding. Als de scooter is ingeschakeld en niet wordt gebruikt, wordt de scooter automatisch uitgeschakeld. In dit geval schakelt u de scooter uit en in, waarna het voertuig weer klaar is voor gebruik.

2.14 Laden van de batterijen

-  **WAARSCHUWING** Gevaar voor letsel of beschadiging door brand
 - Gebruik enkel de batterij(en) en lader die geleverd werden bij uw product. Het gebruiken van een andere batterij of lader kan gevaarlijk zijn (brandgevaar). Contacteer uw vakhandelaar voor eventuele vervanging.
 - Open of vervang in geen geval de batterij, lader, kabels, stekkers of een van de aansluitpunten!
 - De lader is enkel bedoeld om de batterij(en) op te laden die geleverd werden bij uw scooter, geen andere batterijen.
 - Bescherm de batterij en batterijlader tegen vlammen, hoge temperaturen (>50°), vochtigheid, zon, hevige schokken (bijvoorbeeld vallen). Gebruik de batterij NIET als ze is blootgesteld aan een van de voornoemde omstandigheden.
 - Laad de batterij op met de geleverde lader, binnenshuis, in een goed geventileerde ruimte, buiten het bereik van kinderen.
 - Gebruik geen verlengsnoeren bij het laden.

-  **VOORZICHTIG** Gevaar voor letsel

De batterijen zullen korter of langer meegaan afhankelijk van het gebruik, terrein en de rijomstandigheden.

Als u een uitstap plant, houd dan rekening met de laadstatus van de batterij. Wees u bewust van de actieradius van de batterij (zie technische details in §1.3).

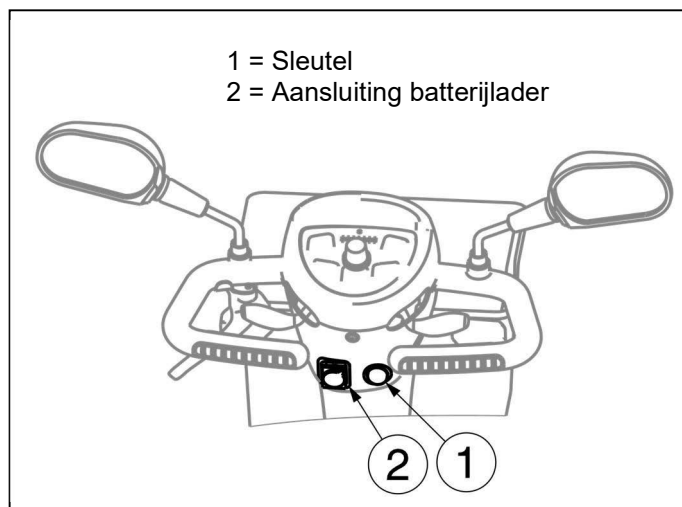
VOORZICHTIG **Gevaar op schade aan de batterij en/of daling van de levensduur**

- Lees zorgvuldig de gebruiksaanwijzing van de lader en neem de veiligheidsvoorschriften in acht.
- Als uw scooter even niet wordt gebruikt, raden we aan om de batterij regelmatig op te laden (ongeveer 1x per maand).
- Onderbreek de laadcyclus niet; wacht tot de lader aangeeft dat de batterij volledig opgeladen is (zie de gebruiksaanwijzing van de lader). Vermijd het opladen in korte periodes.
Opmerking: dit geldt NIET voor Lithium-batterijen.
- De batterij kan onherstelbaar beschadigd raken indien ze volledig ontladen wordt. Zorg er daarom steeds voor dat de batterij tijdig wordt opgeladen.
- De levensduur van de batterij daalt als ze wordt blootgesteld aan extreme koude voor een langere periode (zie technische details in §1.3).
- Zorg ervoor dat alle aansluitpunten op de batterij, alsook het aansluitpunt in de batterijhouder, vrij zijn van stof of vuil.
- Bescherm de batterij tegen grote blootstelling aan elektromagnetische straling.

Laad de nieuwe batterijen volledig op wanneer u deze voor de eerste keer gebruikt.

De lampjes (LEDs) in de stuureenheid geven de resterende capaciteit van uw batterijen weer. Als de batterijoplader is ingeschakeld en er geen LED's branden, controleert u de zekering. Als de rode LED niet brandt is de oplader defect, contacteer uw vakhandelaar.

1. Schakel de scooter UIT.
2. Verbind EERST de batterijlader met een 230V AC stopcontact.
3. Maak de beschermklep van de laadbus open.
4. Verbind de oplader met de batterij.
5. Raadpleeg de gebruiksaanwijzing van de lader voor meer informatie over de indicatoren op de lader.
6. Wanneer de batterij volledig opgeladen is, koppel dan de batterij los van de lader.
7. Verwijder de lader uit het stopcontact, laat afkoelen en bewaar op een droge plaats.
8. Zet de scooter AAN en ga na of alle lampjes op de batterij statusindicator branden.



i In geval van problemen waardoor de batterij niet opgeladen kan worden volgens de gebruiksaanwijzing van de lader, neem dan contact op met uw vakhandelaar.

Wanneer het bedieningspaneel de errorcode "rijden belemmerd" aangeeft na het opladen, ga dan na of de batterijlader werd losgekoppeld. Deze veiligheidsmaatregel voorkomt dat u kan rijden terwijl de lader nog verbonden is met het stroomnet.

3 Montage en instellingen

De in dit hoofdstuk beschreven instructies zijn bestemd voor de vakhandelaar en de gebruiker.

Om een servicepunt of vakhandelaar in uw buurt te vinden, neemt u contact op met de dichtstbijzijnde Vermeiren faciliteit. Een lijst van de Vermeiren faciliteiten zijn terug te vinden op de laatste bladzijde.

- ⚠ **WAARSCHUWING: Risico bij onveilige instellingen - Gebruik enkel de instellingen beschreven in deze handleiding.**
- ⚠ **WAARSCHUWING: Kantelgevaar - Variaties van de toelaatbare instellingen kunnen de stabiliteit van uw scooter beïnvloeden (naar achteren of op zij kantelen).**

3.1 Gereedschap

Om de scooter te monteren is het volgende gereedschap nodig:

- Steek-/ringsleutel set n° 13 tot n° 17
- Inbussleutel set n° 6

3.2 Leveringsomvang

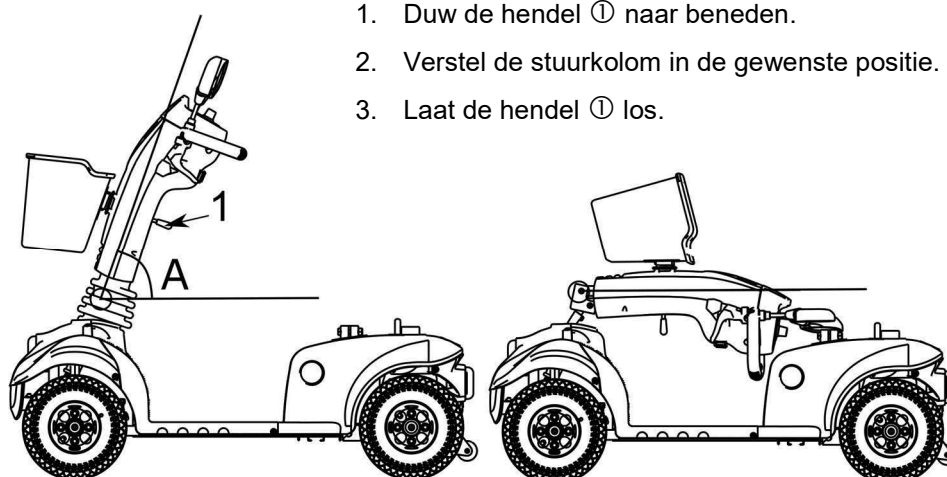
De scooter wordt geleverd met:

- Frame gemonteerd met armsteunen, stuurkolom, achter- en voorwielen
- Voetplaat
- Zit + rug
- Batterijen (2x), motor
- Mandje
- Achteruitkijkspiegels (2x)
- Parkeerrem
- Batterijlader
- Accessoires
- Handleiding

3.3 Aanpassing van het stuur

U kan het stuur in veel verschillende standen zetten (traploos), naar gelang de wens van de bestuurder. De hoek van de stuurkolom (A) is aanpasbaar tussen 0° (horizontaal, zonder zit) en 80° (toppositie).

- ⚠ **WAARSCHUWING: Gevaar voor letsel – Verstel de hoek niet terwijl U aan het rijden bent.**
- ⚠ **WAARSCHUWING: Gevaar voor letsel - Schakel de scooter uit voordat U de hoek van de stuurkolom verstelt.**
- ⚠ **WAARSCHUWING: Gevaar voor letsel - Leun niet met gans Uw lichaam op de stuurkolom.**



1. Duw de hendel ① naar beneden.
2. Verstel de stuurkolom in de gewenste positie.
3. Laat de hendel ① los.

3.4 Aanpassen van de zit

⚠ WAARSCHUWING: Gevaar voor letsel – Voer geen aanpassingen uit terwijl u aan het rijden bent.

⚠ WAARSCHUWING: Kans op letsel – Zorg ervoor dat de zit terug goed is vastgemaakt.

Afnemen van de zit (afb. A)

1. Trek de zithendel ① naar boven.
2. Draai de zit ② een klein beetje en til deze uit de bar voor hoogteverstelling ⑤.
3. Laat de zithendel ① los.

Vergrendelen van de zit (afb. A)

1. Trek de zithendel ① naar boven.
2. Plaats de zit ② op de bar voor hoogte verstelling ⑤ en houd tegelijkertijd de zithendel ① ingedrukt.
3. Laat de zithendel ① los.
4. Controleer of de zit terug goed is vastgemaakt.

Draaibare zit (afb. A)

1. Trek de zithendel ① naar boven.
2. Draai de zit ② in de gewenste positie.
3. Laat de zithendel ① los. De zit wordt steeds na 20° vergrendeld.
4. Controleer of de zit terug goed is vastgemaakt.

Diepteverstelling (afb. A)

1. Trek de hendel voor de zitdiepte ③ naar buiten.
2. Schuif de zit ② naar voren of achteren over de geleidingen van de zitdiepte ④.
3. Laat de hendel los ③ om de zit ② in de gewenste stand te vergrendelen.
4. Draai de zit lichtjes tot deze vastklikt.
5. Controleer of de zit goed is vergrendeld.

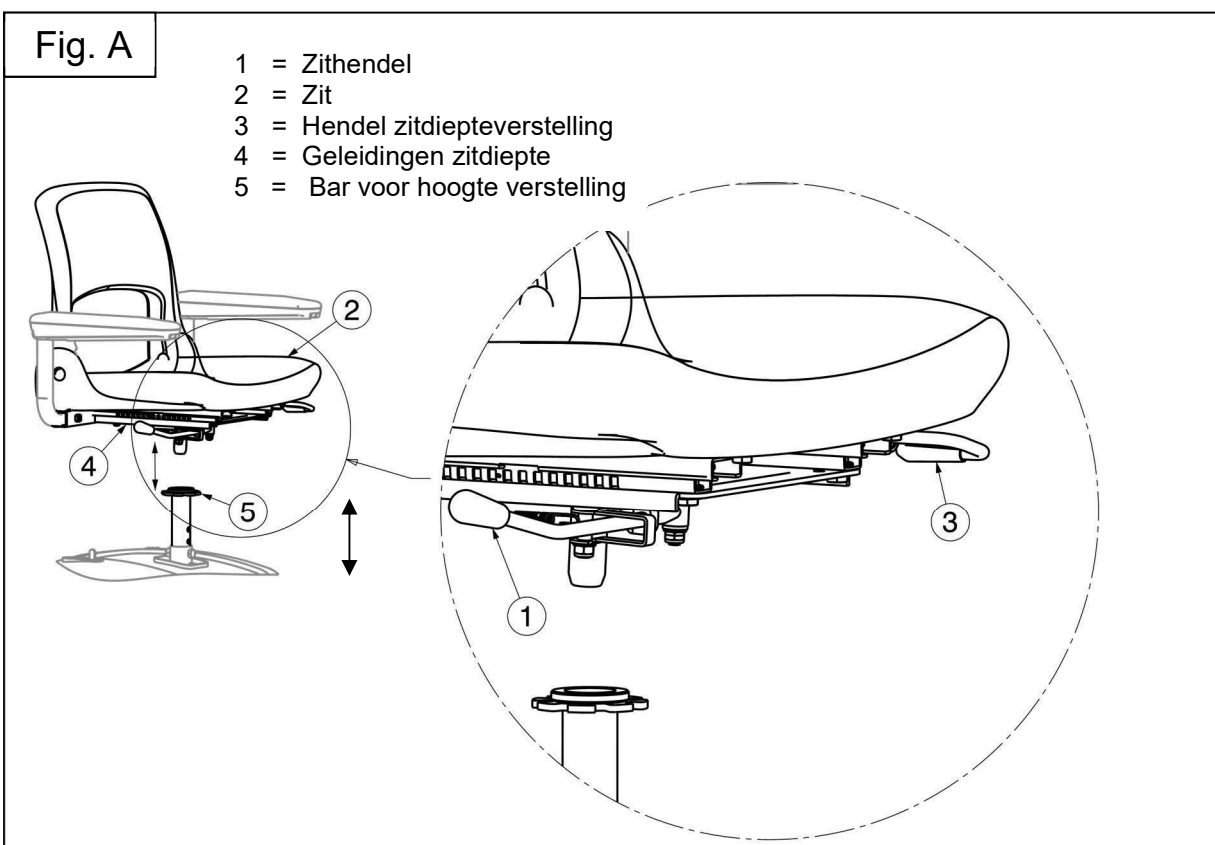
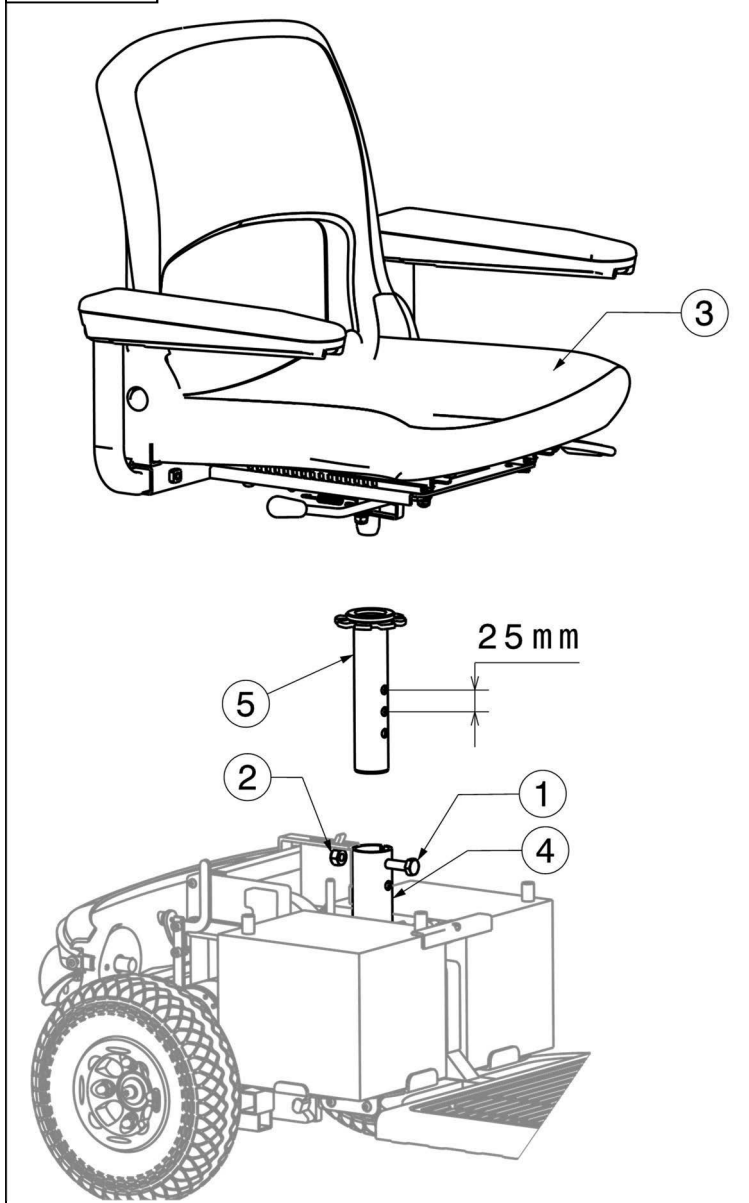


Fig. B

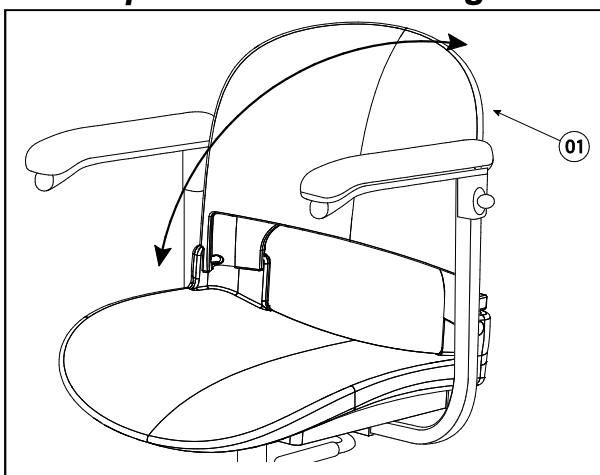


Zithoogte instellen (Fig. B)

De zit kan in 3 verschillende zithoogtes worden geplaatst (stappen: 25 mm).

1. Verwijder de zit ③ en batterijbehuizing.
2. Verwijder de bout ① en moer ②.
3. Beweeg de bar voor hoogte verstelling ⑤ naar boven / beneden in de houder ④, en plaats deze op een comfortabele zithoogte.
4. Maak de bout ① en moer ② terug vast.
5. Monteer de zit ③ en batterijbehuizing terug.
6. Controleer of de zit ③ goed is vergrendeld.

3.5 Opvouwen van de rug



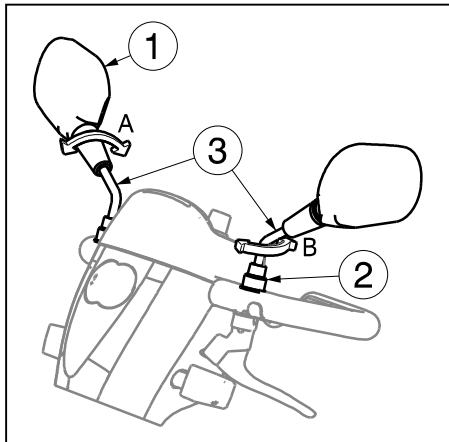
⚠ WAARSCHUWING: Gevaar voor letsel
- Voer geen aanpassingen uit terwijl u aan het rijden bent.

Duw de rug ① naar voren om de rug naar voren op te vouwen.

Trek de rug ① naar achteren om de rug in de opstaande positie te zetten.

3.6 Verstellen van de achteruitkijkspiegels

Het is mogelijk om de achteruitkijkspiegels te verstellen:



Verstelling 1 (pijl A):

1. Neem de achteruitkijkspiegel ① vast.
2. Draai de achteruitkijkspiegel ① rond naar de gewenste positie.

Of

Verstelling 2 (pijl B):

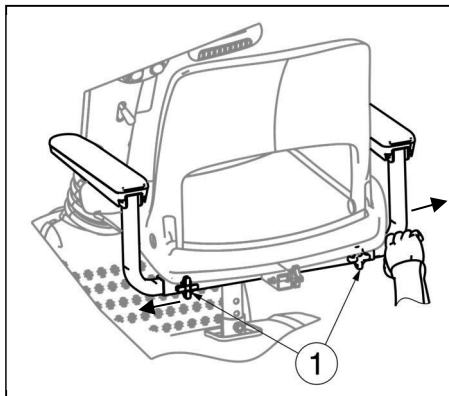
1. Beweeg de dop ② naar boven.
2. Maak de schroef van de spiegel los.
3. Neem de buis ③ zachtjes vast.
4. Draai met de buis ③ en zet de spiegels ① in de gewenste positie.

3.7 Afstellen van de armsteunen

⚠ VOORZICHTIG: Kantelgevaar - Zorg ervoor dat de armsteunen symmetrisch gepositioneerd staan ten opzichte van de zit.

⚠ VOORZICHTIG: Gevaar voor letsel- Monteer de binnenste buis altijd met een veilige afstand van 50 mm in de buitenste buis.

De armsteun kan u in breedte in stellen:



3.7.1 Verstellen van de breedte van de armsteunen

1. Verwijder de sterknop ① aan de achterzijde van de scooter.
2. Neem de binnenste buis vast zoals aangegeven in de figuur.
3. Beweeg deze buis om de armsteun in de gewenste breedte te plaatsen (bereik 100 mm aan elke kant).
4. Draai de sterknop ① handvast aan.
5. Controleer of de armsteun terug goed is vastgemaakt.

3.8 Banden wisselen

⚠ VOORZICHTIG: Laat voor demontage van de velgen altijd eerst de lucht uit de band!

⚠ VOORZICHTIG: Kans op schade – Bij verkeerd gebruik kan de velg worden beschadigd.

Voor u een nieuwe band monteert, dient u rekening te houden met het volgende:

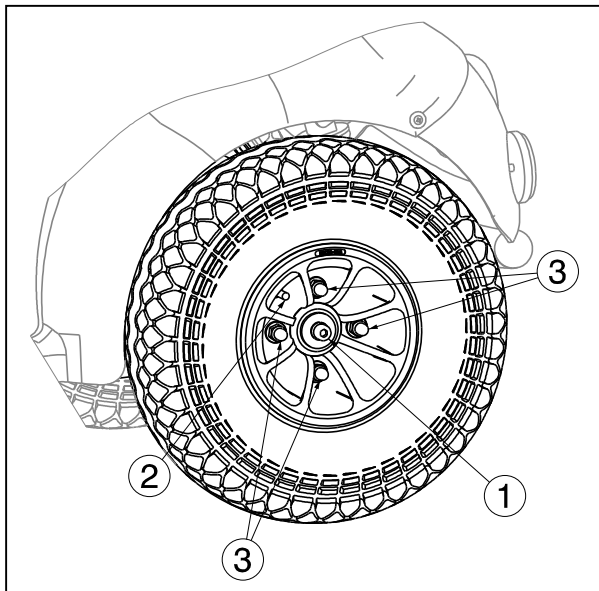
Controleer het velgbed en de binnenkant van de band op vreemde voorwerpen en reinig indien nodig. Controleer de toestand van het velgbed, vooral in de buurt van de ventielopening. Gebruik alleen originele wisselstukken. De garantie geldt niet voor schade die wordt veroorzaakt door niet originele wisselstukken. Neem contact op met de vakhandelaar.

Montage:

⚠ WAARSCHUWING: Gevaar voor letsel – Controleer dat de vuldruk correct is.

⚠ VOORZICHTIG: Gevaar voor letsel – Let erop dat bij de montage geen voorwerpen of lichaamsdelen tussen de band en de velgrand gekneld raken.

⚠ WAARSCHUWING: Gevaar voor letsel – Voor gebruik van de scooter dient u te controleren of alle schroeven van de wielen goed vastzitten. De schroeven op de flens moeten worden voorzien van een schroefborging (bijv. Loctite). Schroefborging houdt alleen als alle schroefdraden vrij zijn van vet en vuil.



DEMONTAGE

1. Draai en verwijder de middelste schroef ① dat het wiel en de flens aan Uw scooter bevestigd.
2. Laat de lucht uit het wiel lopen door de drukstift in het ventiel ② lichtjes in te drukken.
3. Maak de 4 schroeven ③ aan de binnenzijde van de velg los. Trek de velgzijden uit elkaar.

MONTAGE

Plaats de licht opgepompte binnenband in de buitenband.

1. Bevestig de twee velgzijden door de banden en plaats de flens tegen de band en maak deze terug vast met de 4 schroeven ③.
2. Steek het ventiel ② door de voorziene ventielopening.
3. Monteer het wiel en flens terug op de scooter en maak de verbinding terug vast met de middelste schroef ①. Breng het wiel op de voorziene bandenspanning.

Controleer rondom en aan beide zijden of de binnenband niet tussen de bandhiel en velg is gekneld. Schuif het ventiel lichtjes terug en trek het weer uit zodat de band goed is gepositioneerd in de buurt van het ventiel.

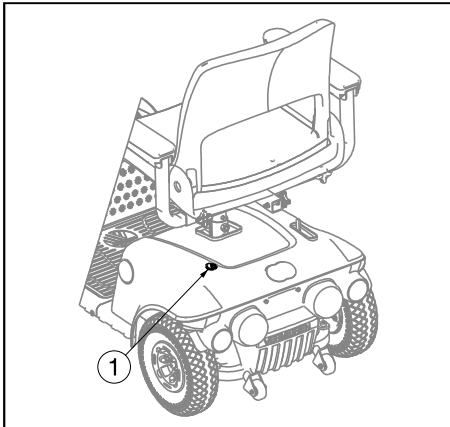
Om de band correct op te pompen pompt u eerst lucht tot de band nog goed met de duim kan worden ingedrukt. Wanneer de controlelijn aan weerszijden van de band dezelfde afstand tot de velgrand aangeeft, is de band correct gecentreerd. Wanneer dit niet het geval is, dient u de lucht weer af te laten en de band opnieuw uit te lijnen. Pomp de band nu op tot de maximale bedrijfsdruk (let op de vuldruk!) en draai de kap op het ventiel.

Een correcte montage kan alleen worden gegarandeerd in de vakhandel. Bij werkzaamheden die niet zijn uitgevoerd door de vakhandel, vervalt de garantie.

Let bij het oppompen van de banden steeds op de correcte vuldruk. Deze waarde kunt u aflezen op de band.

Gebruik voor het oppompen uitsluitend geschikte pompen met een afleesschaal in bar. Op pompen die niet door de fabrikant zijn geleverd, geven wij geen garantie.

3.9 Thermische zekeringen

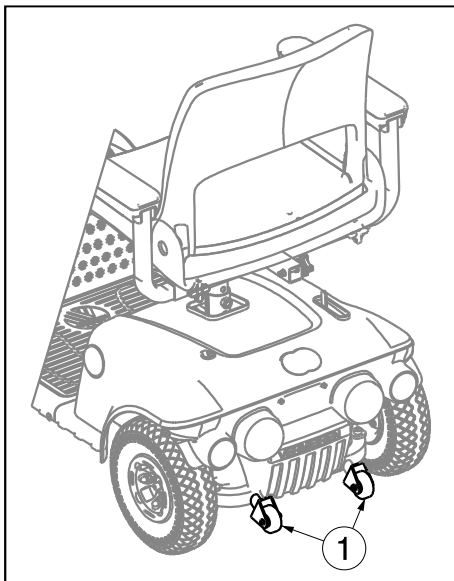


Om de motor te beveiligen tegen overbelasting is de scooter aan de achterkant van de scooter voorzien van een thermische zekering ① die automatisch het vermogen naar de motoren onderbreekt omdat deze anders warm kunnen lopen en daardoor sneller verslijten of defect raken. U kan de thermische zekering vinden in de opening aan de achterkant van de kunststoffen bescherming.

De thermische zekering kan worden geactiveerd wanneer stijgende of dalende hellingen worden bereiden die de vermelde maximumwaarden overschrijden. Ook bij een nominale belasting die hoger is dan de maximum waarde kan de zekering doorslaan. Ook wanneer u probeert te rijden terwijl de motorrem is geblokkeerd, kan de motor overbelast raken. De te respecteren waarden vindt u in het hoofdstuk "Technische specificaties" van de betreffende handleidingen.

Om de scooter opnieuw in gebruik te nemen, lost u de betreffende overbelasting op en wacht u tot de motor is afgekoeld. Daarna schakelt u de zekering voorzichtig in. Het systeem is nu weer klaar voor gebruik.

3.10 Anti-tipping



Op de achterkant van de scooter is er een anti-tipping ① bevestigd. Het is niet mogelijk om deze anti-tipping te verwijderen. De anti-tipping dient voor Uw veiligheid en voorkomt dat uw scooter bij het nemen van kleine hindernissen - lager dan de maximum hindernis hoogte - naar achteren kantelt.

3.11 Vervangen van de batterijen

- ⚠ VOORZICHTIG: Kans op brandwonden - Kom niet in contact met de zuren van de batterijen. Zorg voor een goede ventilatie van de batterijhouder.**
- ⚠ VOORZICHTIG: Kans op letsel of schade – Gebruik bij vervanging enkel lekvrije batterijen; deze zijn herkenbaar aan de aanduiding “Non-spillable”.**

Vervang beide batterijen gelijktijdig en niet enkel één batterij.

Vervang de batterijen van uw scooter door hetzelfde type batterijen (Type: "**AGM-Geabsorbeerde glasmatt**" batterijen).

De meegeleverde batterijlader werkt enkel met AGM batterijen.

Als u andere batterij types gebruikt vervang dan eveneens de batterijlader. Bij het gebruik van slechte batterijen, batterijladers vervalt de garantie. Contacteer de vakhandelaar voor andere batterijen, laders in geval van onzekerheid.

Laat de batterijen vervangen door daarvoor opgeleid personeel.

De bekabeling en lader zijn goed vastgemaakt in de scooter. Tracht niet zelf de bedradingen te verplaatsen. Slechte installatie van de bekabeling kan aanleiding geven tot het knellen van de bedrading tussen de batterij behuizing, dit kan storingen aan het elektronische systeem van uw scooter geven.

Controleer dat de batterijkabels op de correcte batterij zijn aangesloten.

4 Onderhoud

Voor de onderhoudshandleiding van de scooters kan u de website van Vermeiren raadplegen: <http://www.vermeiren.com/>

⚠ WAARSCHUWING: Gevaar voor letsel en schade

Reparaties en vervangingen mogen enkel uitgevoerd worden door opgeleid personeel, en enkel originele onderdelen van Vermeiren mogen hierbij gebruikt worden.



De onderhoudsfrequentie hangt af van de frequentie en intensiteit van gebruik. Neem contact op met uw vakhandelaar om een tijdschema vast te leggen voor nazicht/onderhoud/repairatie. Lees de gebruiksaanwijzing van de batterijlader voor specifieke onderhoudsinstructies.

4.1 Instructies voor hergebruik

4.1.1 Productvrijgave voor hergebruik

De laatste pagina van deze handleiding bevat een registratieformulier voor de vakhandelaar om ieder onderhoud vast te leggen. Deze pagina kan ook gebruikt worden door de verhuurservice om de verplichte inspectie, reiniging, desinfectie en onderhoud te registreren. Ga voor ieder hergebruik na of het onderhoud geregistreerd werd zodat het product vrijgegeven kan worden.

4.1.2 Tijdstippen voor onderhoud

Kijk voor ieder gebruik de volgende punten na:

- A Batterijstatus: laad de batterij op indien nodig, zie §2.14.
- B Staat van de wielen, zie §**Error! Reference source not found.**
- C Alle onderdelen: schoon, zie §**Error! Reference source not found.**
- D Besturing en kabels: geen schade zoals zoals gerafelde, gebroken of blootgestelde draden.
- E Wielen, stuurkolom, besturing: stevig bevestigd.
- F Zit en rug: geen gedeukte plekken, schade of scheuren. Vervang de zit en/of rug indien nodig. Contacteer uw vakhandelaar voor eventuele reparaties of vervanging van onderdelen.

Jaarlijks of vaker

Laat uw scooter nakijken en onderhouden door uw vakhandelaar, ten minste één keer per jaar of vaker. De minimale onderhoudsfrequentie is afhankelijk van het gebruik en moet daarom besproken worden met uw vakhandelaar.

Bij opslag

Zorg ervoor dat uw scooter droog wordt bewaard om schimmel of schade aan de bekleding te voorkomen.

Als uw scooter voor een periode wordt opgeslagen, raden we aan om de batterijen nog steeds iedere maand op te laden. Voor meer informatie, zie §2.14.

4.1.3 Wielen en banden

- A Houd de wielen vrij van draden, haar, zand en vezels.
- B Kijk het profiel van de banden na. Als de profieldiepte minder dan 1 mm bedraagt, moeten de banden vervangen worden. Contacteer hiervoor uw vakhandelaar.
- C Ga de bandendruk van iedere band na. De druk hangt af van het type band. De nodige bandendruk is af te lezen op de zijkant van de band.
- D Als de band zijn druk niet behoudt of zichtbaar plat wordt, contacteer dan uw vakhandelaar voor een vervanging.

VOORZICHTIG: Gevaar voor letsel en schade

Zorg ervoor dat de maximale bandendruk niet overschreden wordt bij het oppompen. Kijk de details na op de zijkant van de band.

4.1.4 Schoonmaak

VOORZICHTIG: Gevaar voor beschadiging door vocht

Houd de besturing schoon en bescherm ze tegen water en regen.

Gebruik nooit een tuinslang of hogedrukreiniger om de scooter schoon te maken.

Veeg alle harde onderdelen van de scooter schoon met een vochtig doek (niet doorweekt). Indien nodig, gebruik een milde zeep die geschikt is voor vernis en synthetische materialen.

De bekleding kan schoon worden gemaakt met lauw water en een milde zeep. Gebruik geen agressieve schoonmaakmiddelen.

Houd de ventilatieopeningen op de batterijlader schoon en vrij van stof. Blaas het stof weg en maak de batterijlader schoon met een vochtig doek indien nodig.

4.1.5 Ontsmetting

 **VOORZICHTIG: Gevaar voor beschadiging - Ontsmetting mag enkel worden uitgevoerd door getraind personeel. Neem contact op met uw vakhandelaar.**

5 Einde levensduur

Bij einde levensduur dient u de scooter en alle toebehoren volgens de lokale milieuwetgeving af te voeren. Best kunt u de scooter demonteren zodat de herbruikbare materialen makkelijker vervoerd en gerecycled kunnen worden. Batterijen worden meestal apart ingezameld.

6 Verklaring van overeenstemming

Dit product is CE gecertificeerd en is geclassificeerd als een Medisch hulpmiddel, Klasse I. De CE-markering duidt op de conformiteit van het product met de normen van de gezondheids-, veiligheids-, en milieubescherming voor producten die verhandeld worden binnen de Europese economische ruimte.



Een kopie van de Verklaring van overeenstemming is beschikbaar via onze website: <http://www.vermeiren.com/>.



Inhalt

1	Produkt beschreibung	3
1.1	Verwendungszweck	3
1.2	Sicherheitsanweisungen	4
1.3	Technische Daten	5
1.4	Zubehör	6
1.5	Bauteile	7
1.6	Positionierung Typenschild	7
1.7	Zeichenerklärung	8
1.8	Voraussichtliche Nutzungsdauer.....	8
2	Verwendung	9
2.1	EMV-Hinweise	9
2.2	Transportieren des Scooters	10
2.3	Zusammenbauen und Zerlegen des Scooters	10
2.4	Betätigen der Bremsen	11
2.5	Setzen in den Scooter und Verlassen des Scooters	11
2.6	Richtige Sitzposition auf dem Scooter	12
2.7	Fahren des Scooters.....	12
2.8	Fahren des Scooters auf Rampen	15
2.9	Bewältigen von Hindernissen mit dem Scooter.....	15
2.10	Bedieneinheit	16
2.11	Freilauf.....	16
2.12	Transport.....	17
2.13	Automatische Abschaltung.....	18
2.14	Laden der Batterien	18
3	Zusammenbau und Einstellung	20
3.1	Werkzeuge	20
3.2	Lieferumfang.....	20
3.3	Einstellen des Lenkers.....	20
3.4	Einstellen des Sitzes	21
3.5	Herunterklappen der Rücken	22
3.6	Einstellen der Rückspiegel.....	23
3.7	Einstellen des Armlehnen	23
3.8	Reifenwechsel.....	24
3.9	Thermische Sicherung	25
3.10	Kippschutz	25
3.11	Austauschen der Batterie.....	25
4	Wartung	26
4.1	Anweisungen zur Wiederverwendung.....	26
5	Nutzungsende	27
6	Übereinstimmungserklärung	27

Vorwort

Zuerst möchten wir uns für das Vertrauen bedanken, das Sie in uns gesetzt haben, indem Sie sich für einen unserer Scooter entschieden haben.

Die zu erwartende Lebensdauer Ihres Scooters hängt im Wesentlichen von der Wartung und Pflege ab, die für die Scooter aufgewendet wird.

Diese Bedienungsanleitung soll Ihnen helfen, sich mit der Benutzung Ihres Scooters vertraut zu machen.

Das Befolgen der Bedienungsanleitung und des Wartungshinweises bildet einen wesentlichen Teil der Gewährleistungsbedingungen.

Diese Bedienungsanleitung spiegelt die neuesten Produktentwicklungen wider. Das Unternehmen Vermeiren behält sich jedoch das Recht vor, Änderungen vorzunehmen. Dabei besteht keine Verpflichtung, die früher ausgelieferten Modelle anzupassen oder zu ersetzen.

Sollten Sie weitere Fragen haben, so wenden Sie sich bitte an Ihren Fachhändler.

Verfügbare Informationen

Auf unserer Website <http://www.vermeiren.com/> finden Sie stets die aktuellste Version folgender Informationen. Informieren Sie sich bitte regelmäßig auf dieser Website, weil die Druckversion möglicherweise veraltet ist.



- Dieses Handbuch
Sehbehinderte Menschen können sich die elektronische Version dieses Handbuchs herunterladen und mit Hilfe einer Sprachsyntheselösung („Text-to-Speech-Software“) vorlesen lassen.



- EG-Konformitätserklärung
Für Benutzer und Fachhändler



- Anweisungen zur Montage und Demontage optionaler Komponenten
Für Fachhändler



- Servicehandbuch
Für Fachhändler

Kontaktdaten

Um einen Fachhändler in Ihrer Nähe zu finden, kontaktieren Sie die nächstgelegene Vermeiren Niederlassung.



1 Produkt beschreibung

1.1 Verwendungszweck

Der Scooter ist für den bequemen Transport von Personen vorgesehen. Der Scooter ist für den Transport einer einzelnen Person ausgelegt. Befördern Sie keine weiteren Passagiere (einschließlich Kindern) auf Ihrem Scooter.

Ausgeschlossen ist die Nutzung des Scooters als Transportfahrzeug für Gegenstände, sowie für Personen unterhalb von 16 Jahren.

Ebenso ausgeschlossen ist die Nutzung für Personen, die durch deutliche körperliche oder mentale Einschränkungen nicht in der Lage sind, ihren Scooter sicher im Straßenverkehr zu handhaben.

Ursachen solcher Einschränkungen können sein:

- Halbseitenlähmung sowie Querschnittlähmung
- Demenzen
- Sehbehinderte

Der Scooter wird als Gerät der Klasse B klassifiziert.

Der Scooter ist für den Einsatz in Außenbereichen geeignet.

Bei der individuellen Versorgung sind außerdem:

- Körpergröße und -gewicht (max. 140 kg)
- Körperlicher und geistiger Zustand
- Wohnverhältnisse
- Umgebung

zu beachten.

Der Scooter sollte nur auf ebenen Flächen verwendet werden, auf denen alle vier Räder den Boden berühren und ausreichend Bodenkontakt vorhanden ist, um die Räder gleichmäßig anzutreiben.

Die Verwendung des Scooters auf unebenen Flächen (Pflastersteinen usw.), Abhängen, Kurven sowie das Umfahren von Hindernissen (Bordsteinen usw.) muss geübt werden.

Der Scooter darf nicht als Leiter oder als Transportmittel für schwere oder heiße Objekte verwendet werden.

Wenn Sie den Scooter auf Straßen und Fußwegen fahren, gelten die örtlichen Vorschriften.

Der Scooter kann auf Gehwegen und Straßen innerhalb von Ortschaften gefahren werden. Das Fahren auf Bundesstraßen und Autobahnen mit dem Scooter ist in jedem Fall untersagt.

Verwenden Sie ausschließlich von Vermeiren genehmigtes Zubehör.





























Für Schäden durch nicht oder mangelhaft durchgeführte Wartung oder durch Nichtbeachtung der folgenden Anweisungen übernimmt der Hersteller keine Haftung.

Das Befolgen der Bedienungsanleitung und der Wartungshinweise bildet einen wesentlichen Teil der Gewährleistungsbedingungen. Es empfiehlt sich also, die folgenden Seiten sorgfältig durchzulesen.

Sehbehinderte können sich zur Erläuterung der Bedienungsanleitung an den Händler wenden.

Hinweis: Dieses Produkt ist zur Wiederverwendung durch einen anderen Patienten geeignet und zugelassen, wenn es über einen Verleihservice geliefert wird. Folgen Sie den Anweisungen in Abschnitt 4.1 .

1.2 Sicherheitsanweisungen

-  Verwenden Sie ausschließlich von Vermeiren zugelassenes Zubehör.
-  Drehen Sie den „Start“-Schlüssel immer erst in die Aus-Position, bevor Sie Ein- oder Aussteigen, Ihren Scooter demontieren oder transportieren wollen.
-  Wenn der Scooter transportiert oder getragen wird, darf niemand darin sitzen.
-  Erforschen Sie die Auswirkungen von Schwerpunktverlagerungen auf das Verhalten des Scooters, zum Beispiel auf Gefällestrecken, Steigungen, seitlichen Neigungen oder beim Überfahren von Unebenheiten.
-  Befahren Sie keine Straßen, auf denen starker Verkehr herrscht oder die schlammig, geschottert, uneben, schmal, mit Schnee bedeckt oder vereist sind, oder Pfade, die nicht durch einen Zaun oder eine Hecke gesichert sind.
-  Halten Sie sich von Orten fern, an denen die Gefahr besteht, die Räder festzuklemmen.
-  Achten Sie darauf, dass sich Ihre Kleidung nicht in den Rädern verfängt.
-  Achten Sie beim Ergreifen von Gegenständen, die vor, seitlich oder hinter dem Scooter liegen darauf, dass Sie sich nicht zu weit aus dem Scooter lehnen, da durch Schwerpunktverlagerung Kippgefahr besteht.
-  Vermeiden Sie auf Gefällen Ihren Scooter in die Freilaufposition zu stellen.
-  Fahren Sie eine Steigung auf keinen Fall rückwärts hinauf.
-  Verringern Sie bei Kurvenfahrten die Geschwindigkeit.
-  Fahren Sie mit dem Scooter nicht auf Rolltreppen.
-  Umfassen Sie während der Fahrt die Handgriffe mit beiden Händen.
-  Belassen Sie Ihre Beine und Füße während der Fahrt auf der vorgesehenen Abstellfläche.
-  Fahren Sie mit Ihrem Scooter nicht, wenn es schneit, neblig oder sehr windig ist.
-  Bei Lagerung oder Abstellen des Scooters im Außenbereich, ist eine Abdeckhaube zu verwenden, die Ihren Scooter vor Feuchtigkeit schützt.
-  Bei sehr hoher Luftfeuchtigkeit und Kälte kann es zu Leistungseinschränkungen Ihres Scooters kommen.
-  Nutzen Sie Ihren Scooter nur gemäß den gültigen Vorschriften. Vermeiden Sie das ungebremste Fahren gegen Hindernisse (z.B. Stufen, Bordsteinkanten) oder das Herunterfahren von hohen Absätzen.
-  Beachten Sie bitte, dass Sie bei Fahrten im öffentlichen Straßenverkehr der Straßenverkehrsordnung unterliegen. Achten Sie auf andere Verkehrsteilnehmer.
-  Wie auch beim Führen anderer Fahrzeuge sollten Sie bei Fahrten mit Ihrem Scooter nicht unter Alkoholeinfluss stehen. Dies gilt auch für Fahrten in Innenräumen.
-  Stellen Sie Ihr Fahrverhalten bei Fahrten außerhalb der Wohnung auf die gegebenen Witterungs- und Straßenverhältnisse ein.
-  Tragen Sie zum "Besser-Gesehen-Werden" im Dunkeln möglichst helle Kleidung oder Kleidung mit Reflektoren und achten Sie darauf, dass die am Scooter vorhandenen Reflektoren gut sichtbar sind und die Beleuchtung eingeschaltet ist.
-  Achten Sie darauf, dass die Beleuchtung an Ihrem Scooter nicht durch Verschmutzung und/oder Gegenstände abgedeckt wird.
-  Ihr Scooter dient nicht als Sitzplatz in einem PKW oder anderen Fahrzeugen.
-  Achten Sie auf eine ausreichende Profiltiefe der Bereifung.
-  Wenn der Scooter mit Luftreifen ausgestattet ist, achten Sie darauf, dass diese den richtigen Reifendruck aufweisen (*siehe die Reifendruckangaben auf den Reifen*) für optimale Lenkeigenschaften und Stabilität des Scooters.
-  Achten sie darauf, dass die maximale Zuladung des Scooters nicht überschritten wird.
-  Überschritten Sie nicht die maximale Zuladung des Korbes. Die maximale Zuladung des Korbes beträgt max. 5 kg.
-  Wir empfehlen, keine Steckdosenleisten oder Verlängerungskabel zu verwenden. Benutzen Sie das Ladegerät direkt an der Netzsteckdose. Wir empfehlen, keine Steckdosen mit Zeitschaltuhr zu verwenden.

1.3 Technische Daten

Die im Folgenden aufgeführten technischen Daten gelten für einen Scooter in der Standardkonfiguration und bei optimalen Umgebungsbedingungen. Wenn anderes Zubehör verwendet wird, gelten andere Werte als die in der Tabelle angegebenen. Bei Schwankungen der Außentemperatur, Luftfeuchtigkeit, Steigungen, Gefällen, bestimmten Untergründen und Batteriezuständen können die Leistungsparameter eingeschränkt sein.

Produktname	Vermeiren	
Adresse	Vermeirenplein 1/15, B-2920 Kalmthout	
Typ	Scooter mit Hinterradantrieb, Klasse B	
Max. zulässiges Gewicht des fahrers	140 kg	
Modell	Eris	
Beschreibung	Abmessungen	
Höchstgeschwindigkeit	6 km/h	10 km/h
Reichweite bei ununterbrochener Fahrt*	35 km (Batterie 38 Ah) 45 km (Batterie 50 Ah)	29 km (Batterie 38 Ah) 37 km (Batterie 50 Ah)
Länge	1185 mm	
Breite	570 mm	
Höhe	1150 mm	
Sitzbreite	435 mm	
Länge, zusammengeklappt/zerlegt	950 mm	
Breite, zusammengeklappt/zerlegt	570 mm	
Höhe, zusammengeklappt/zerlegt	600 mm (Sitz abgenommen; Lenker zusammengeklappt)	
Gesamtgewicht	75 kg	
Gewicht des schwersten Teils (das abgebaut oder entfernt werden kann)	57 kg (ohne Sitz) oder 46 kg (ohne Sitz und Batterien)	
Gewichte von Teilen, die demontierbar oder abnehmbar sind	Sitz: 11 kg; Batterien: 26,5 kg	
Statische Stabilität, bergab	9°	
Statische Stabilität, bergauf	9°	
Statische Stabilität, seitwärts	9°	
Dynamische Stabilität	6°	
Maximale, sichere Steigung	6°	
Bodenfreiheit	50 mm (Kippschutz)	
Überfahren von Hindernissen	75 mm	
Winkel der Sitzfläche	6°	
Effektive Sitztiefe	360 mm	
Höhe der Sitzoberfläche an der Vorderkante (vom Boden gemessen)	595 mm - 645 mm	
Höhe der Sitzoberfläche an der Vorderkante (vom Fußplatte gemessen)	450 mm - 500 mm	
Höhe der Fußplatte	145 mm	
Rückenlehnenwinkel	25°	
Rückenlehnenhöhe	340 mm	
Abstand zwischen Armpolster und Sitz	180 mm	
Länge der Armllehne zur Unterfahrbarkeit	270 mm	
Motor	Nennleistung 320 Watt, elektromagnetische Bremsen	
Batterien	38 Ah	50 Ah

Produktname	Vermeiren	
Adresse	Vermeirenplein 1/15, B-2920 Kalmthout	
Typ	Scooter mit Hinterradantrieb, Klasse B	
Max. zulässiges Gewicht des fahrers	140 kg	
Modell	Eris	
Beschreibung	Abmessungen	
Controller	70 A	
Nennspannung (Batterie)	2 x 12V ---	
Schutzklasse	IPX4	
Ladegerät	6 Amp (extern)	8 Amp (extern)
USB-Anschluss	Nein	
Schutzklasse des Ladegerätes	IPx1	
Isolationsklasse des Ladegeräts	II	
Kleinster Wendekreis	2900 mm	
min. Wendekreis	2900 mm	
Durchmesser der Hinterräder (Anzahl)	3.00-4 Luft (2)	
Reifendruck, Hinterräder (Antriebsräder),	max. 3,5 bar	
Durchmesser Lenkräder (Anzahl)	3.00-4 Luft (2)	
Reifendruck, Lenkräder	max. 3,5 bar	
Lenkung	Motorradlenker mit Gasgriff	
Beleuchtung	Serie	
Blinker	Serie	
Spiegel	Option	
Temperaturbereich für Lagerung und Nutzung	+5 °C bis +40 °C	
Betriebstemperatur Elektronik	-10°C bis +40°C	
Luftfeuchtigkeitsbereich für Lagerung und Nutzung	30%	
Geprüft und erfüllen die Anforderung der	ISO 7176-14:2008	
Widerstandsfähigkeit gegenüber Entzündung nach	EN1021-2	
Technische Änderungen vorbehalten. Maßtoleranz ± 15 mm / 1,5 kg / 1,5°.		
* Die theoretische Reichweite verringert sich, wenn der Scooter häufig an Steigungen, auf unebenem Untergrund oder zum Überfahren von Bordsteinkanten verwendet wird. Die maximale Reichweite ist laut ISO7176-4 in ideale Umstände getestet worden.		

Tabelle 1: Technische Daten

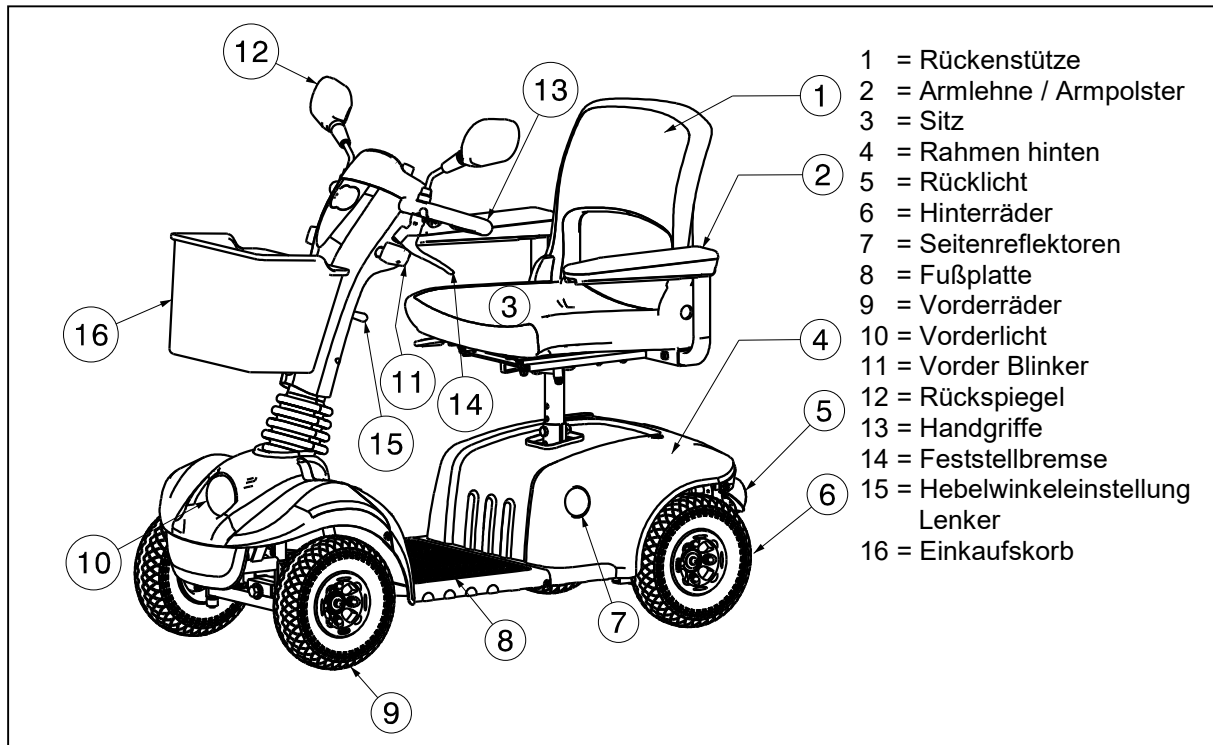
1.4 Zubehör

Folgendes Zubehör ist erhältlich für die Scooter Eris:

⚠️ WARNUNG: Verletzungsgefahr - Achten Sie darauf, dass die Gehstützen sicher befestigt sind und nicht auf den Fahrer fallen können.

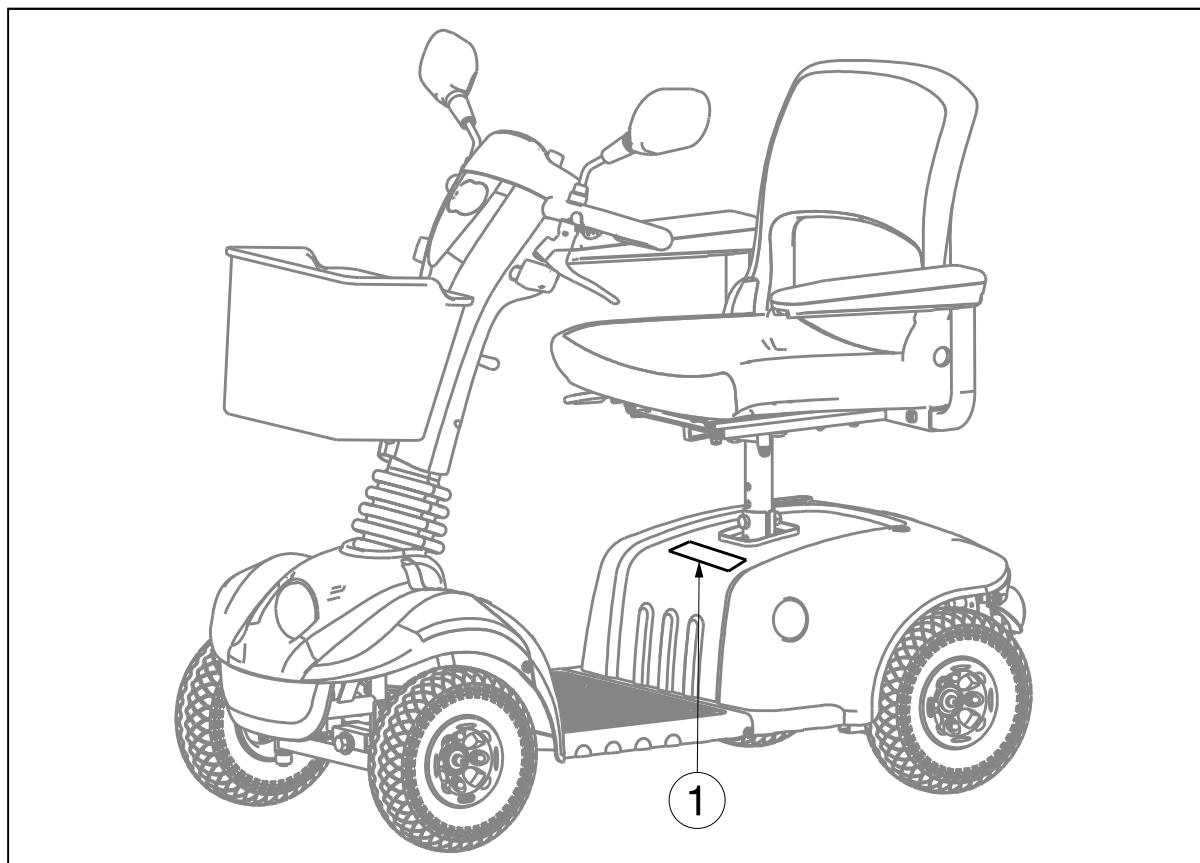
- Gehstützenhalter
- Scooterpac
- Topcase
- Rollatorhalter

1.5 Bauteile



1.6 Positionierung Typenschild

Das Typenschild ① befindet sich auf der hinteren Abdeckung. Sie finden auch ein Typenschild unter der Batteriefachabdeckung.



1.7 Zeichenerklärung



Max. zulässiges Gewicht



Verwendung in Außenbereichen



Verwendung in Innenbereichen (nur für Batterieladegerät)



Getrennte Sammlung und Recycling von Elektro- und Elektronikgeräten (nur für Batterieladegerät)



Schutzklasse II



Maximale, sichere Steigung



CE-Konformität



Höchstgeschwindigkeit



Nicht zur Verwendung als Sitz in einem Motorfahrzeug geeignet



Typenbezeichnung



Warnung Gefahr von Finger-/Handquetschungen!

1.8 Voraussichtliche Nutzungsdauer

Die durchschnittliche Nutzungsdauer Ihres Scooters beträgt 5 Jahre. Je nach Nutzungshäufigkeit, Betriebsbedingungen und Wartung kann die Nutzungsdauer Ihres Scooters länger oder kürzer sein.



2 Verwendung

In diesem Kapitel wird die tägliche Verwendung beschrieben. **Diese Anweisungen richten sich an den Benutzer und den Fachhändler.**

Die Scooter wird Ihnen vollständig aufgebaut von Ihrem Fachhändler geliefert. Anweisungen für den Fachhändler, wie der Scooter zusammengebaut und eingerichtet wird, befinden sich in § 3.

2.1 EMV-Hinweise

Your scooter has been tested according ISO 7176-21.

In diesem Zusammenhang möchten wir darauf hinweisen, dass elektromagnetische Wellen (z. B. Mobiltelefone) Interferenzen erzeugen können. Auch die Elektronik des Scooters könnte Störungen bei anderen Elektrogeräten hervorrufen.

Um die Wirkung von elektromagnetischen Störquellen zu verringern, beachten Sie bitte folgende Warnhinweises:

- ⚠️ WARNUNG:** Der Scooter kann bei Geräten in seiner Umgebung, die elektromagnetische Strahlung abgeben, Störungen hervorrufen.
- ⚠️ WARNUNG:** Die Fahrleistung der Scooter kann durch elektromagnetische Felder (z. B. durch Stromgeneratoren oder Starkstromquellen) beeinträchtigt werden.
- ⚠️ WARNUNG:** Benutzen Sie keine tragbaren TV- oder Radiogeräte in unmittelbarer Nähe Ihres Scooters, solange dieser eingeschaltet ist.
- ⚠️ WARNUNG:** Benutzen Sie keine Funksprechgeräte oder Mobiltelefone in unmittelbarer Nähe Ihres Scooters, solange dieser eingeschaltet ist.
- ⚠️ WARNUNG:** Achten Sie in Ihrer Nähe auf Sendemasten und vermeiden Sie den Betrieb des Scooters in deren Nähe.
- ⚠️ WARNUNG:** Wenn ungewollte Bewegungen oder Bremsvorgänge auftreten, schalten Sie den Scooter aus, sobald dies sicher durchgeführt werden kann.

Durch den Einfluss elektromagnetischer Störfelder in der Umgebung kann es zu negativen Auswirkungen auf die Fahrelektronik des Scooters kommen. Mögliche Folgen sind:

- Lösen der Motorbremse
- Selbstständiges Fahren des Scooters
- Ungewollte Fahrbewegungen

Bei sehr starken oder dauerhaften Störfeldern kann die Elektronik sogar vollständig versagen oder dauerhafte Schäden davontragen.

Mögliche Strahlungsquellen sind:

- Tragbare Sende- und Empfangseinrichtungen (Empfänger und Sender mit fest installierter, direkt am Sendegerät montierter Antenne)
 - Funksprechgeräte
 - Mobiltelefone oder „Walkie-Talkies“
 - Tragbare Fernseh-, Radio- und Navigationsgeräte
 - Andere Sendegeräte für den privaten Gebrauch
- Mobile Sende- und Empfangseinrichtungen mit mittlerer Reichweite (z. B. Autoantennen, die außen am Fahrzeug angebracht sind)
 - Funksprechgeräte (fest installiert)
 - Mobil-Freisprecheinrichtungen (fest installiert)
 - Radio-, Fernseh- und Navigationsgeräte (fest installiert)
- Sende- und Empfangsinstallationen mit großer Reichweite
 - Radio- und Fernsehtürme
 - Funkamateuranlagen

Soweit uns bekannt ist, haben andere Geräte, die im häuslichen Umfeld verwendet werden, wie beispielsweise CD-Player, Notebook-Computer, schnurlose Telefone, MW/UKW-Radiogeräte, elektrische Rasierer und Haartrockner, keinen Einfluss, vorausgesetzt, dass sie ordnungsgemäß



funktionieren und ihre Verkabelung in einwandfreiem Zustand ist. Lesen und beachten Sie bitte die Bedienungsanleitung zu den Elektrogeräten, um den störungsfreien Betrieb des Scooters sicherzustellen.

1. Betreiben Sie keine tragbaren Sende-/Empfangsgeräte, wie beispielsweise CB-Funk-Radios, und schalten Sie keine persönlichen Kommunikationsgeräte, wie beispielsweise Mobiltelefone, ein, während das angetriebene Fahrzeug eingeschaltet ist.
2. Achten Sie auf Sendeanlagen in der Umgebung, wie beispielsweise Radio- und Fernsehsender, und vermeiden Sie es möglichst, in ihre Nähe zu kommen.
3. Wenn es zu unbeabsichtigten Bewegungen oder zum Lösen der Bremse kommt, schalten Sie das angetriebene Fahrzeug aus, sobald Sie dies sicher tun können.
4. Beachten Sie, dass das Hinzufügen von Zubehör oder Komponenten oder das Vornehmen von Änderungen am angetriebenen Fahrzeug dieses anfälliger für EMV/EMI machen kann (Hinweis: Es gibt keine einfache Möglichkeit, ihre Auswirkung auf die Gesamtstörfestigkeit des angetriebenen Scooters zu ermitteln).

Die Stärke der elektromagnetischen Interferenz-Energie kann in Volt pro Meter (V/m) gemessen werden. Jeder angetriebene Scooter kann EMV/EMI bis zu einer gewissen Stärke aushalten. Diese bezeichnet man als „Störfestigkeit“. Je höher die Störfestigkeit ist, desto besser ist der Schutz. Derzeit kann man mit aktueller Technologie Störfestigkeitspegel von mindestens 20 V/m erzielen, was einen ausreichenden Schutz gegen die gängigsten Quellen ausgestrahlter EMV/EMI bietet. Das angetriebene Scooter-Modell hat, so wie es versandt wird und ohne weitere Änderung oder Zubehör, eine Störfestigkeit von 20 V/m.

2.2 Transportieren des Scooters

Am besten lässt sich der Scooter transportieren, indem der Freilaufmodus der Räder verwendet wird. Schalten Sie den Scooter in den Freilaufmodus und rollen/schieben Sie ihn an die gewünschte Stelle. Sollte dies nicht möglich sein, können Sie den Scooter durch Beachtung der folgenden Schritte tragen:

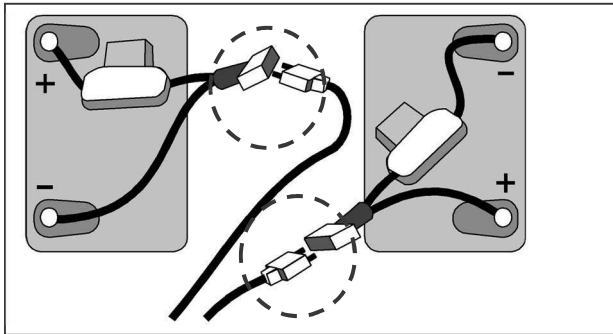
1. Schalten Sie den Scooter aus.
2. Nehmen Sie die losen Teile ab (Sitz und Batterien).
3. Bewahren Sie die losen Teile an einem sicheren Ort auf.
4. Tragen Sie den Rahmen und die Bedieneinheitseinheit mit 2 oder 3 Personen an den gewünschten Ort. Heben Sie den Rahmen am Fahrgestell an, nicht an den Stoßfängern oder Kunststoffteilen. Nur an Teilen anheben, die fest mit dem Rahmen verbunden sind.

2.3 Zusammenbauen und Zerlegen des Scooters

- ⚠ **WARNUNG:** Verletzungsgefahr - Stellen Sie sicher, dass alle beweglichen Teile ordnungsgemäß zusammengebaut sind.
- ⚠ **WARNUNG:** Verletzungsgefahr - Montage und Demontage erfolgt durch ausgebildetes Personal (z.B. Fachhändler).
- ⚠ **WARNUNG:** Verletzungsgefahr - Achten Sie darauf, nicht die Kabel zu verletzen oder zu quetschen.
- ⚠ **WARNUNG:** Verletzungsgefahr - Schalten Sie den Scooter vor dem Zerlegen aus.
- ⚠ **VORSICHT:** Quetschgefahr – Achten Sie darauf, dass Ihre Finger nicht von den Bauteilen des Scooters eingeklemmt werden.

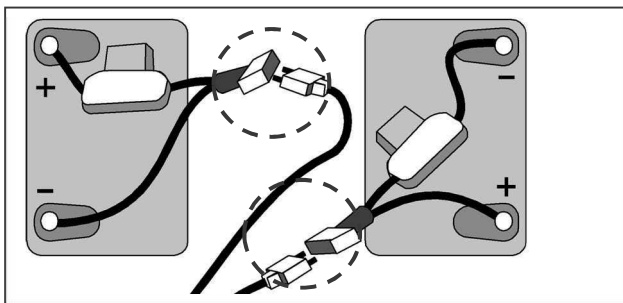
Beim Zerlegen gehen Sie folgendermaßen vor:

- Schalten Sie den Scooter aus.
- Nehmen Sie den Sitz ab (siehe Kapitel „Einstellen des Sitzes“).
- Nehmen Sie die hintere Kunststoffabdeckung der Batterien ab.



- Lösen Sie die Klettbänder, mit denen die Batterien gesichert sind.
- Trennen Sie die Batteriestecker (nicht die Polanschlüsse) und alle Kabelsteckverbindungen.
- Heben Sie die Batterien heraus.
- Klappen Sie die Bedieneinheitseinheit nach unten.

Für den Zusammenbau gehen Sie folgendermaßen vor:



- Klappen Sie die Bedieneinheitseinheit nach oben.
- Setzen Sie die Batterien ein und verbinden Sie die Batteriestecker (Steckverbindungen gleicher Farbe gehören zueinander).
- Sichern Sie die Batterien mit den Klettbandern so, dass sich die Batterien auch während der Fahrt nicht bewegen können.
- Setzen Sie die hintere

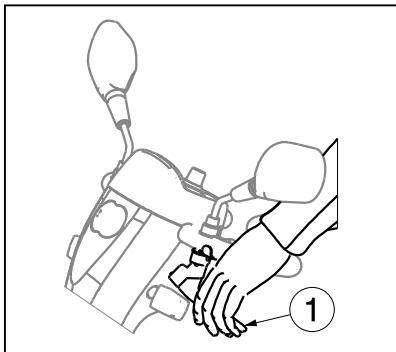
Kunststoffabdeckung wieder auf.

- Montieren Sie den Sitz (siehe Kapitel „Einstellen des Sitzes“).

2.4 Betätigen der Bremsen

So betätigen Sie die elektromagnetischen Bremsen:

1. Lassen Sie den Fahrhebel los, die elektromagnetische Bremse im Motor wird aktiviert und der Scooter hält an.



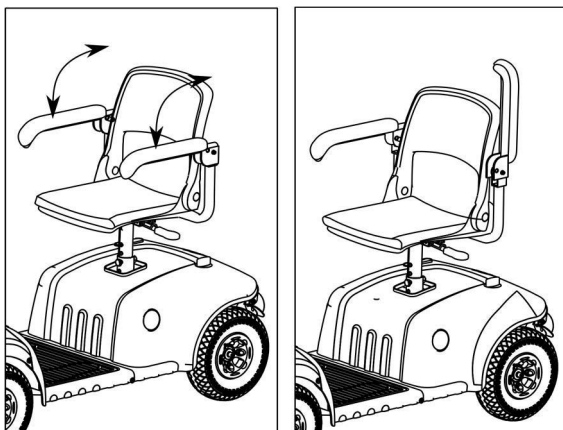
So betätigen Sie die Parkbremsen (Option):

1. Ziehen Sie den Bremshebel ① in Richtung der Handgriffe. Lassen Sie den Bremshebel los ②.

Die Feststellkraft der Parkbremse kann mit dem Bremszueinsteller eingestellt werden.

2.5 Setzen in den Scooter und Verlassen des Scooters

⚠️ WARNUNG: Verletzungsgefahr – Schalten Sie den Scooter vor dem Auf- und Absteigen AUS.



1. Stellen Sie den Scooter so nah wie möglich an die Stelle, an der Sie ein- bzw. aussteigen möchten.
2. Stellen Sie sicher, dass das Bedienfeld (Scooter) ausgeschaltet ist.
3. Klappen Sie die Armpolster zurück auf der Seite, auf der Sie auf- oder absteigen möchten.
4. Setzen Sie sich auf den Sitz des Scooters bzw. steigen Sie von ihm ab.



2.6 Richtige Sitzposition auf dem Scooter

Einige Empfehlungen für die komfortable Verwendung des Scooters:

1. Setzen Sie sich möglichst weit nach hinten, so dass Ihr Rücken an der Rückenlehne anliegt.
2. Achten Sie darauf, dass Ihre Oberschenkel in horizontaler Position sind.

2.7 Fahren des Scooters

⚠️ WARNUNG: Verletzungsgefahr – Achten Sie darauf, dass Sie das Gerät keinen extremen Temperaturen aussetzen (Sonnenschein, extreme Kälte, Sauna etc.), da sich die verwendeten Materialien den Umgebungstemperaturen angleichen, was bei Berührung zu Verletzungen führen kann - Umgebungstemperaturen können Oberflächen verändern.

⚠️ WARNUNG: Gefahr nicht sicherer Einstellungen – Fahren Sie ausschließlich wie in dieser Anleitung beschrieben.

⚠️ WARNUNG: Verletzungsgefahr – Schalten Sie den Scooter vor dem Auf- und Absteigen AUS.

2.7.1 Vorbereiten des Scooters für den Einsatz

Benutzen Sie Ihren Scooter zum ersten Mal, dann achten Sie bitte darauf, dass Sie auf einem ebenen Untergrund stehen. Alle Räder müssen den Boden berühren.

1. Für die erstmalige Nutzung müssen die Batterien vollständig geladen sein.
2. Vergewissern Sie sich, dass der Motor eingekuppelt ist.
3. Stellen Sie die Lenker in die für Sie komfortabelste Position und achten Sie darauf, dass er ordnungsgemäß gesichert ist.
4. Kontrollieren Sie, dass der Sitz in der Fahrposition verriegelt ist.
5. Setzen Sie sich auf den Sitz und vergewissern Sie sich, dass beide Armlehnen heruntergeklappt sind, so dass Sie Ihre Arme darauf ablegen können.
6. Stecken Sie den Schlüssel ein und drehen Sie ihn nach rechts, warten Sie ca. 3 Sekunden, bevor Sie die Fahrwippe betätigen, sonst sperrt sich der Scooter als Schutzfunktion. Falls notwendig, schalten Sie den Scheinwerfer ein.
7. Kontrollieren Sie die Ladestandsanzeige, um zu sehen, ob genügend Strom für Ihre Fahrt zur Verfügung steht. Falls der Ladestand zu niedrig ist, laden Sie die Batterien vor der Abfahrt.

Stellen Sie nun die Geschwindigkeit auf der Bedieneinheit auf die niedrigste Geschwindigkeit. Ihr Scooter ist nun fahrbereit. Nutzen Sie die höhere Geschwindigkeitseinstellung erst, wenn Sie sicher sind, dass Sie Ihren Scooter leicht bedienen und steuern können.

Machen Sie sich mit der Bedienung des Scooters vertraut, bevor Sie ihn in belebten oder möglicherweise gefährlichen Umgebungen verwenden. Üben Sie auf einem großen, freien Gelände, beispielsweise in einem Park.

2.7.2 Nach dem Gebrauch

Bevor Sie von Ihrem Scooter absteigen, stellen Sie diesen so ab, dass alle Räder gleichzeitig den Boden berühren.

Drehen Sie anschließend den Schlüssel in die Position "AUS" (Ladestandsanzeige erlischt), um die eingebaute Beleuchtung auszuschalten.

2.7.3 Abstellen des Scooters

Ist Ihr Scooter ausgeschaltet, kann kein Bedieneinheitsbefehl zum Antriebssystem weitergeleitet werden. Die elektromagnetische Bremse kann erst wieder deaktiviert werden, wenn Ihr Scooter eingeschaltet wird. Stellen Sie Ihren Scooter immer auf bewachten Stellplätzen oder an für Sie gut einsehbaren Stellen ab.



2.7.4 Die erste Fahrt

⚠️ WARNUNG: Steuern Sie den Scooter - Machen Sie sich mit dem Fahrverhalten des Scooters vertraut.

⚠️ WARNUNG: Bedieneinheit Ihres Scooters - Betätigen Sie nicht beide Seiten des Fahrhebels gleichzeitig. Sie können den Scooter dann möglicherweise nicht mehr kontrollieren.

⚠️ WARNUNG: Bedieneinheit Ihres Scooters, Verletzungsgefahr - Ändern Sie die Geschwindigkeitseinstellung nicht während der Fahrt.

⚠️ WARNUNG: Verletzungsgefahr - Achten Sie beim Rückwärtsfahren mit dem Scooter darauf, dass sich keine Personen oder Gegenstände hinter Ihnen befinden.

- Fahren

Nachdem Sie in Ihren Scooter eingestiegen sind und ihn wie oben beschrieben gestartet haben, halten Sie die Handgriffe mit beiden Händen fest und platzieren Sie Ihre Finger zum Ziehen des Fahrhebels in die gewünschte Richtung:

ZUGAKTION DER RECHTEN HAND	=	VORWÄRTSFAHREN
ZUGAKTION DER LINKEN HAND	=	RÜCKWÄRTSFAHREN

Wenn Sie Ihren Scooter im Innenbereich verwenden, stellen Sie die Geschwindigkeit nicht auf die höchste Stufe ein.

- Fahren auf dem Bürgersteig

Achten Sie darauf, dass der Geschwindigkeitsschalter auf der niedrigen Stufe steht, wenn Sie mit dem Scooter auf dem Bürgersteig fahren. Die zulässige maximale Fahrgeschwindigkeit auf dem Gehweg unterscheidet sich in den verschiedenen Ländern erheblich. Informieren Sie sich über die jeweilige nationale Gesetzeslage.

Für Fahrten auf der Straße oder auf Privatgelände kann der Begrenzungsschalter auf die schnellste Stufe gestellt werden.

- Bremsen

Zum Bremsen lassen Sie den Geschwindigkeits-/Fahrhebel los, damit dieser in die Nullposition zurückschnellt und Ihren Scooter sanft abbremst und zum Stillstand kommt. Üben Sie das Anfahren und Anhalten, um sich an den Scooter zu gewöhnen. Sie müssen die Reaktionen des Scooters beim Fahren und Bremsen einschätzen können.

Schalten Sie den Scooter während der Fahrt nicht aus, da dies zu einer Notbremsung und zu Unfall- und Verletzungsgefahr führt.

- Fahren an Straßenecken und Wegbiegungen

⚠️ WARNUNG: Kippgefahr - Verlangsamen Sie die Fahrt vor einer Kurve oder Ecke.

⚠️ WARNUNG: Einklemmgefahr - Halten Sie immer ausreichend seitlichen Abstand zu Ecken und Hindernissen.

⚠️ WARNUNG: Kippgefahr - Fahren Sie keine „S“-Kurven oder unkontrollierte Wendemanöver.

Zur Kurvenfahrt drehen Sie den Lenker mit beiden Händen in die gewünschte Richtung. Das Vorderrad schlägt nun ein und bestimmt die Richtung Ihres Scooters. Achten Sie bei Kurvenfahrten immer darauf, dass ausreichend Platz für die Bewältigung der Kurve vorhanden ist. Schmale Durchfahrten lassen sich am besten bewältigen, indem Sie diese - wenn möglich - vorher in einem größeren Bogen anfahren, um die schmale Durchfahrt möglichst gerade befahren zu können. Bedenken Sie, dass Ihr Scooter im hinteren Teil meist breiter ist als im vorderen.

Fahren Sie nicht diagonal um Straßenecken und in Wegbiegungen hinein. Wenn Sie „Kurven schneiden“ besteht die Gefahr, dass Sie mit den Hinterrädern auf Hindernisse stoßen und den Scooter destabilisieren.



2.7.5 Rückwärtsfahren

- ⚠️ WARNUNG:** Steuern Sie den Scooter - Machen Sie sich mit dem Fahrverhalten des Scooters vertraut.
- ⚠️ WARNUNG:** Kontrollieren Sie die Geschwindigkeit - Fahren Sie immer in der niedrigsten Geschwindigkeit rückwärts.
- ⚠️ WARNUNG:** Kollisionsgefahr - Schauen Sie beim Rückwärtsfahren immer nach hinten.

Beim Rückwärtsfahren ist erhöhte Konzentration und Aufmerksamkeit gefordert. Aus diesem Grund haben wir die Rückwärtsfahrgeschwindigkeit im Vergleich zur Vorwärtsfahrgeschwindigkeit deutlich reduziert. Dennoch empfehlen wir Ihnen, bei Rückwärtsfahrt nur eine minimale Geschwindigkeit auszuwählen.

Achten Sie auch darauf, dass die Lenkbewegungen beim Rückwärtsfahren umgekehrt durchgeführt werden und dass Ihr Scooter direkt in die gewünschte Richtung lenkt.

2.7.6 Steigungen

- ⚠️ WARNUNG:** Steuern Sie den Scooter - Machen Sie sich mit dem Fahrverhalten des Scooters vertraut.
- ⚠️ WARNUNG:** Steuern Sie den Scooter - Schalten Sie den Scooter an einem Abhang auf keinen Fall in den Leerlauf.
- ⚠️ WARNUNG:** Kontrollieren Sie die Geschwindigkeit - Fahren Sie an Steigungen so schnell wie nötig.
- ⚠️ WARNUNG:** Kippgefahr - Achten Sie darauf, den maximalen Wert für die statische Stabilität bergauf (siehe Abschnitt „Technische Daten“) nicht zu überschreiten.
- ⚠️ WARNUNG:** Wenden Sie niemals an einer Steigung.

Sitzposition, hinaufgehend

- Verstellen Sie die Sitztiefe und der Winkel der Rückenlehne um ganz nach vorne zu sitzen, siehe §3.4 und §3.5 für die Verstellung.
- Lehnen Sie sich beim Erklimmen einer steilen Steigung immer nach vorne.

Fahren Sie Steigungen (Rampen, Auffahrten usw.) immer gerade an und zwar so, dass alle vier Räder ständig Bodenkontakt haben, da sonst Kippgefahr besteht. Der Scooter wird durch ein Differential angetrieben. Beide Antriebsräder müssen jederzeit mit dem Boden in Kontakt bleiben. Bei einseitigem Abheben eines Antriebsrads wird die Kraftübertragung an die Räder aus Sicherheitsgründen unterbrochen und der Scooter kann nicht weiterfahren.

Sollten Sie an einer Steigung stoppen, indem Sie den Fahrhebel loslassen, verhindert die Motorbremse ein ungewolltes Zurückrollen Ihres Scooters. Die Nullstellung des Fahrhebels bewirkt die Aktivierung der Motorbremse.

Beim erneuten Anfahren an einer Steigung ziehen Sie den Fahrhebel komplett an, damit ausreichend Anfahrerenergie abgegeben werden kann. Ihr Scooter wird die Steigung nun langsam bewältigen.

Sollte die Geschwindigkeit zur Überwindung von Steigungen nicht ausreichend sein, schalten Sie den Geschwindigkeitsregler höher und versuchen Sie es erneut.

Beim Fahren auf einer Steigung kann die Batterieanzeige schwanken. Das ist normal und kein Grund zur Besorgnis.

2.7.7 Gefälle

- ⚠️ WARNUNG:** Steuern Sie den Scooter - Machen Sie sich mit dem Fahrverhalten des Scooters vertraut.
- ⚠️ WARNUNG:** Steuern Sie den Scooter - Schalten Sie den Scooter an einem Abhang auf keinen Fall in den Leerlauf.
- ⚠️ WARNUNG:** Kontrollieren Sie die Geschwindigkeit - Fahren Sie an Gefälle so schnell wie nötig.
- ⚠️ WARNUNG:** Kippgefahr - Vermeiden Sie scharfe Kurven.
- ⚠️ WARNUNG:** Kippgefahr - Achten Sie darauf, keine Gefälle oberhalb der technischen Angaben zu befahren.

Sitzposition, hinuntergehend

- Verstellen Sie die Sitztiefe und der Winkel der Rückenlehne um ganz nach hinten zu sitzen, siehe §3.4 und §3.5 für die Verstellung.
- Lehnen Sie sich beim Absteigen einer steilen Steigung immer nach hinten.

Fahren Sie Gefällstrecken immer gerade an. Bei schrägem Anfahren können einzelne Räder vom Boden abheben (Kippgefahr). Sollte eines der Hinterräder abheben, so ist keine Kraftübertragung und damit auch kein Fahrbetrieb mehr möglich.

Durch das Eigengewicht des Scooters erhöht sich die Geschwindigkeit auf Gefällen. Wählen Sie bitte mit dem Geschwindigkeitsregler eine niedrige Fahrgeschwindigkeit und passen Sie damit die Fahrgeschwindigkeit den Gegebenheiten an.

Vermeiden Sie auf Gefällstrecken scharfe Kurven. Durch das Eigengewicht kann der Scooter seitlich abheben oder in scharfen Kurven sogar umkippen.

2.8 Fahren des Scooters auf Rampen

- ⚠️ WARNUNG:** Verletzungsgefahr - Beachten Sie die maximal zulässige Belastung von Rampen.
- ⚠️ WARNUNG:** Verletzungsgefahr - Wählen Sie geeignete Rampen, so dass es nicht zu Verletzungen oder Sachschäden kommen kann.
- ⚠️ WARNUNG:** Achten Sie darauf, dass durch das hohe Eigengewicht des Elektro-Scooters erhöhte Rückrollkräfte auftreten, Sie sollten sich von einer Begleitperson schieben lassen.
- ⚠️ WARNUNG:** Verletzungsgefahr - Vergewissern Sie sich, dass die Bodenfreiheit groß genug ist, um die Rampe gefahrlos befahren zu können. Der Rahmen des Scooters darf die Rampe nicht berühren.

Sollten Sie zur Überwindung eines Hindernisses auf Rampen zurückgreifen, beachten Sie bitte Folgendes:

1. Erkundigen Sie sich beim Hersteller nach der maximal zulässigen Belastung der Rampen.
2. Befahren Sie Rampen nur in der niedrigsten möglichen Geschwindigkeit.
3. Befolgen Sie die Anweisungen im Abschnitt „Die erste Fahrt“.

2.9 Bewältigen von Hindernissen mit dem Scooter

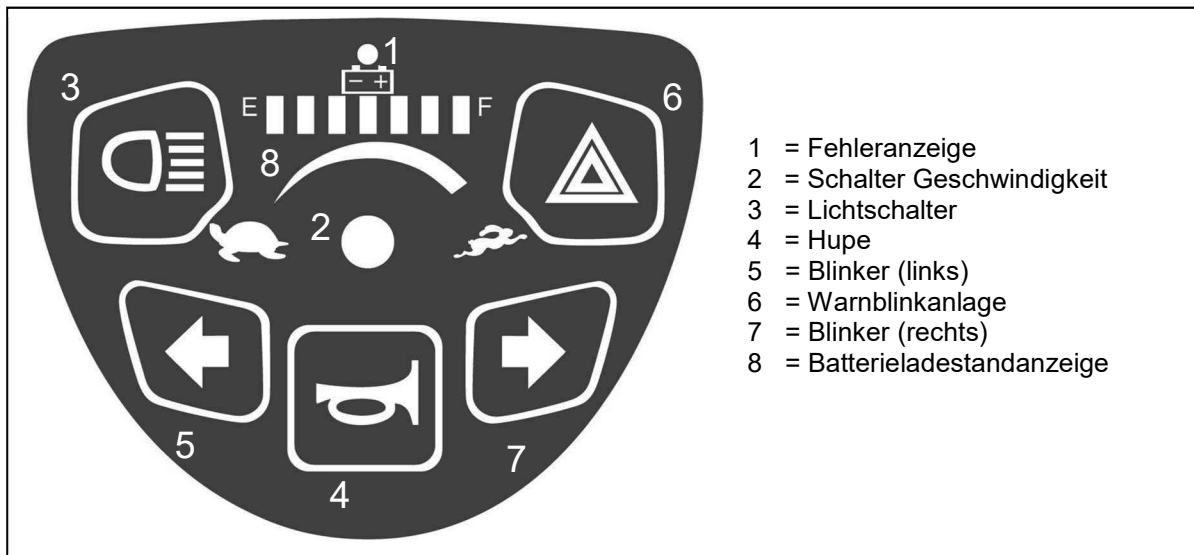
- ⚠️ WARNUNG:** Verletzungsgefahr bei unerwarteter Bewegung
 - Benutzen Sie den Scooter nicht auf einer Fahrtreppe.
 - Befahren Sie KEINE Böschungen, Hindernisse, Stufen oder Randsteine, die größer als vom Hersteller beschrieben sind (siehe technische Daten in §1.3).
 - Befahren Sie einen Randstein immer direkt von vorn.
 - Achten Sie beim Herauf- oder Herunterfahren darauf, dass alle Räder jederzeit Bodenkontakt haben.

VORSICHT: Beschädigungsgefahr

Nehmen Sie ggf. etwas Anlauf, um den Scooter zum Überfahren eines Hindernisses oder Randsteins zu beschleunigen. Vermeiden Sie es, dass der Scooter stark zurückprallt.

2.10 Bedieneinheit

- Schalten Sie den AN/AUS-Schalter an, warten Sie ca. 3 Sekunden, bevor Sie die Fahrwippe betätigen, sonst sperrt sich der Scooter als Schutzfunktion.
- Jetzt leuchtet die Ladestandsanzeige ⑧ auf und zeigt den aktuellen Ladestand der Batterien an.
- Stellen Sie jetzt den Geschwindigkeitsregler ② auf die gewünschte Fahrgeschwindigkeit ein.
- Ziehen Sie den Fahrhebel mit den Fingern nach hinten, je nach gewünschter Fahrtrichtung vorwärts oder rückwärts.
- Die Hupe ertönt, wenn Sie den entsprechenden Druckknopf betätigen ④.
- Zum Einschalten der Beleuchtung (vorne und hinten) drücken Sie den Lichteinschaltknopf ③.
- Zum Einschalten der Warnblinkanlage drücken Sie den Knopf ⑥.
- Zum Blinken drücken Sie den gewünschten Knopf ⑤ und ⑦ (links = Blinker links, rechts = Blinker rechts).
- Um den Scooter anzuhalten, den Fahrhebel an der Unterseite des Bedieneinheits loslassen.



Vermeiren ist für alle Änderungen der Software verantwortlich. Wenden Sie sich bei allen Anforderungen nach Softwareänderungen an Vermeiren.

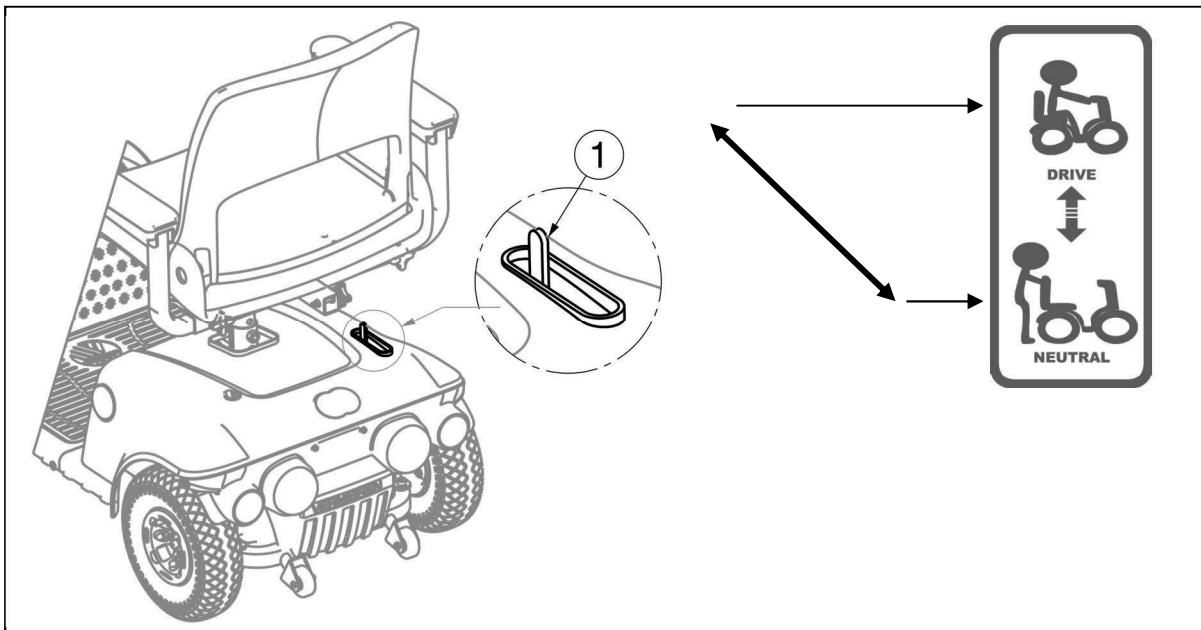
2.11 Freilauf

- ⚠ **WARNUNG: Steuern Sie den Scooter - Schalten Sie den Scooter während der Fahrt auf keinen Fall in den Leerlauf.**
- ⚠ **WARNUNG: Steuern Sie den Scooter - Schalten Sie den Scooter an einem Abhang auf keinen Fall in den Leerlauf. Er kann dann versehentlich wegrollen.**
- ⚠ **WARNUNG: Verletzungsgefahr - Heben Sie den Elektroantrieb niemals an, bevor der Motor/das Getriebe angehalten hat, damit sich der Motor nicht überhitzt.**

Der Scooter ist mit einer Freilaufvorrichtung ausgestattet, die von der Begleitperson oder dem Fahrer, wenn er nicht auf dem Scooter sitzt, erreicht und verstellt werden kann. Verwenden Sie den Freilaufmodus ausschließlich, um den Scooter zu transportieren oder aus einer Gefahrenzone zu schieben.

Mit dem Hebel zur Motorarretierung ① hinten am Scooter schalten Sie ihn in den Freilauf.

- **Fahren**
 1. Stellen Sie den Freilaufhebel ① auf Fahrbetrieb. Motor und Getriebe werden miteinander verbunden.
 2. Schalten Sie den Kontaktschlüssel an.
 3. Das elektronisch gesteuerte Fahren ist jetzt möglich.
- **Freilauf**
 1. Schalten Sie den Kontaktschlüssel aus.
 2. Stellen Sie den Hebel der Motorarretierung ① auf Freilauf (siehe Kennzeichnung). Motor und Getriebe werden getrennt.
 3. Sie können den Scooter nun ohne Elektroantrieb schieben.



2.12 Transport

2.12.1 Per Flugzeug

i Weil der Scooter eine auslaufsicheren AGM Batterie hat, ist es möglich, ihn (komplett) in einem Flugzeug zu transportieren. Wenden Sie sich vor der Buchung eines Fluges bitte an die Fluggesellschaft für das korrekte Verfahren.

Bevor Sie ihnen Scooter am Flughafen Personal übergeben, müssen Sie die Batterie abschalten und wenn nötig aus den Scooter nehmen. Siehe Sie auch Abschnitt §3.11 zum Batteriewechsel.

2.12.2 Per Auto

⚠ GEFÄHR: Verletzungsgefahr - Der Scooter eignet sich nicht als Sitz in einem Kraftfahrzeug wie angezeigt durch das Symbol im nächsten Bild.



⚠ WARNUNG: Verletzungsgefahr - Bauen Sie alle losen Unterteile vor dem Transport ab.

⚠ WARNUNG: Verletzungsgefahr - Während des Transports dürfen sich keine Personen oder Gegenstände unter dem Scooter, auf der Fußablage oder dem Sitz befinden.

⚠ WARNUNG: Verletzungsgefahr – Achten Sie darauf, den Scooter ordnungsgemäß zu befestigen. So vermeiden Sie Verletzungen der Fahrzeuginsassen bei einer Kollision oder einem plötzlichen Bremsmanöver.

⚠ WARNUNG: Quetschgefahr – Achten Sie darauf, dass Ihre Finger nicht von den Bauteilen des Scooters eingeklemmt werden.

Am besten lässt sich der Scooter in ein Fahrzeug transportieren, indem Sie ihn über Rampen hineinfahren.

Wenn Sie keine Erfahrung damit haben, den Scooter über Rampen zu fahren, können Sie ihn auch in den Leerlauf schalten und über die Rampen in das Fahrzeug schieben.

Wenn der Scooter nicht in das Auto passt, kann er für den Transport auch zerlegt werden. Dazu müssen die folgenden Schritte ausgeführt werden:

1. Alle losen Teile vor dem Transport abnehmen (Sitz usw.).
2. Verstauen Sie diese abnehmbaren Teile sicher.
3. Wenn möglich, können Sie zur Gewichtsreduzierung die Batterien/den Batteriekasten herausnehmen, damit Sie Gewicht einsparen.
4. Falten Sie die Lenker nach unten mittels der Winkeleinstellung.
5. Setzen Sie den Scooter mit 2 oder 3 Personen in das Fahrzeug.
6. Befestigen Sie den Scooter am Rahmen sicher im Fahrzeug.

2.13 Automatische Abschaltung

Um ein versehentliches Leerlaufen der Batterie zu vermeiden, verfügt der Scooter über eine automatische Abschaltfunktion. Wenn der Scooter eingeschaltet ist und nicht verwendet wird, schaltet er sich automatisch ab. Schalten Sie in diesem Fall den Scooter einfach aus und wieder ein, und er ist wieder einsatzbereit.

2.14 Laden der Batterien



WARNUNG

Gefahr von Personen- und Sachschäden durch Feuer

- Benutzen Sie ausschließlich das zum Lieferumfang des Rollstuhls gehörende Ladegerät. Die Benutzung eines anderen Ladegeräts kann mit Gefahren verbunden sein (Brandgefahr). Wenden Sie sich wegen möglicher Ersatzteile an Ihren Fachhändler
- Das Ladegerät ist nur dafür vorgesehen, die mit dem Scooter mitgelieferten Akkus aufzuladen, keine anderen Akkus.
- Akku, Ladegerät, Kabel und Stecker dürfen unter keinen Umständen geöffnet oder modifiziert werden! An den Anschlusspunkten dürfen ebenfalls keine Veränderungen vorgenommen werden!
- Schützen Sie den Akku und das Ladegerät vor offenem Feuer, hohen und niedrigen Temperaturen (>50°C), Feuchtigkeit, Sonneneinstrahlung und starken Erschütterungen (z. B. Sturz). Benutzen Sie den Akku NICHT, wenn eine dieser Bedingungen vorliegt.
- Laden Sie den Akku mit Hilfe des Ladegeräts in einem gut belüfteten Gebäudebereich außerhalb der Reichweite von Kindern auf.
- Benutzen Sie zum Aufladen kein Verlängerungskabel.



WARNUNG

Verletzungsgefahr

- Die Akkus halten je nach Gebrauch, Gelände und Fahrumständen kürzer oder länger. Wenn Sie einen Ausflug planen, berücksichtigen Sie bitte den Ladezustand der Akkus. Beachten Sie den Aktionsradius des Akkus; die technischen Details finden Sie in §1.3 .



WARNUNG

Gefahr einer Beschädigung des Akkus und/oder Verringerung der Akkulebensdauer

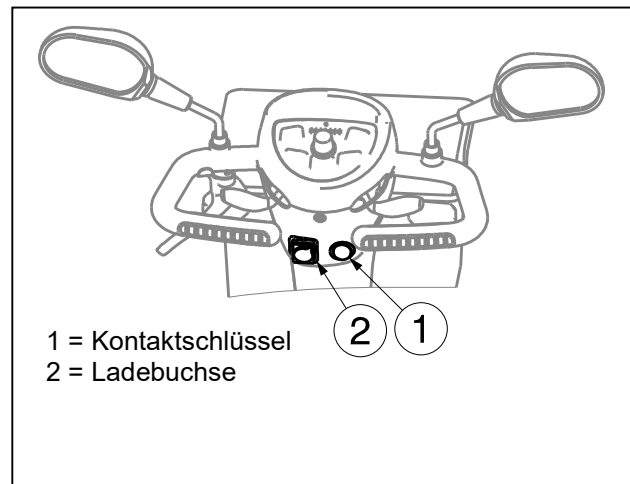
- Lesen Sie sich die Bedienungsanleitung für das Ladegerät aufmerksam durch und beachten Sie die Sicherheitshinweise hierzu.
- Wenn Ihr Scooter eine Weile nicht benutzt wird, empfiehlt es sich, den Akku regelmäßig aufzuladen (ca. einmal im Monat).
- Unterbrechen Sie den Ladevorgang nicht; warten Sie, bis das Ladegerät anzeigt, dass der Akku vollständig aufgeladen ist. Näheres hierzu finden Sie in der Bedienungsanleitung für das Ladegerät. Vermeiden Sie das Aufladen in kurzen Zeiträumen. Hinweis: Dies gilt NICHT für Lithium-Akkus.
- Der Akku kann irreversibel beschädigt werden, wenn er vollständig entladen wird. Achten Sie deshalb darauf, den Akku rechtzeitig wieder aufzuladen.

- Die Lebensdauer verkürzt sich, wenn der Akku längere Zeit extremer Kälte ausgesetzt wird; siehe auch die technischen Details in §1.3.
- Achten Sie darauf, dass alle Anschlusspunkte am Akku sowie der Anschlusspunkt am Akkugehäuse frei von Staub und anderen Verunreinigungen sind.
- Schützen Sie den Akku vor starken Quellen elektromagnetischer Strahlung

Laden Sie eine neue Batterie vor der ersten Nutzung vollständig auf.

Die Ladeanzeige am Scooter zeigt Ihnen an, über wie viel Kapazität Ihre Batterien noch verfügen. Wenn das Batterieladegerät eingeschaltet ist und keine LED leuchtet, prüfen Sie die Sicherung. Falls die rote LED nicht leuchtet, ist das Ladegerät defekt. Dann sollten Sie Ihren Fachhändler aufsuchen.

1. Schalten Sie den Scooter AUS.
2. Schließen Sie ZUERST das Akku-Ladegerät an eine Steckdose mit 230 V Wechselstrom an.
3. Öffnen Sie ggf. die Schutzklappe der Ladebuchse (2).
4. Verbinden Sie das Ladegerät mit dem Akku.
5. Eine Erläuterung der Anzeigen auf dem Ladegerät finden Sie in dem Handbuch für das Akku-Ladegerät.
6. Wenn der Akku vollständig aufgeladen ist, trennen Sie den Akku vom Ladegerät.
7. Trennen Sie das Ladegerät von der Steckdose ab, lassen Sie es abkühlen, und lagern Sie es dann an einem trockenen Ort.
8. Schalten Sie den Scooter EIN und überprüfen Sie, ob alle LEDs der Akkustatusanzeige leuchten.



i Sollte sich der Akku nicht gemäß den nachstehenden Anweisungen in der Bedienungsanleitung für das Ladegerät aufladen lassen, wenden Sie sich bitte an Ihren Fachhändler.

Wenn die Bedienkonsole nach dem Aufladen den Fehlercode „Antrieb blockiert“ anzeigt, vergewissern Sie sich, dass das Akku-Ladegerät getrennt ist. Diese Sicherheitsmaßnahme verhindert, dass Sie mit dem Scooter fahren, solange das Ladegerät noch mit dem Stromnetz verbunden ist.

3 Zusammenbau und Einstellung

Die Anweisungen in diesem Kapitel richten sich an den Benutzer und den Fachhändler.

Um einen Fachhändler in Ihrer Nähe zu finden, stehen Ihnen unsere Niederlassungen gerne zur Verfügung. Eine Auflistung aller Vermeiren Niederlassungen finden Sie auf der letzten Seite dieser Gebrauchsanweisung.

⚠️ WARNUNG: Nutzen Sie das Produkt nur gemäß den technischen Vor- und Angaben dieser Gebrauchsanweisung.

⚠️ WARNUNG: Kippgefahr - Auch zulässige Einstellungen können die Stabilität des Scooters unter bestimmten Umständen beeinträchtigen (Rückwärts- oder Seitwärtskippen).

3.1 Werkzeuge

Für die Montage der Scooter und für Einstellungen werden die folgenden Werkzeuge benötigt:

- Schraubenschlüsselsatz Größe 13, 17
- Inbusschlüsselsatz Größe n° 6

3.2 Lieferumfang

Der Lieferumfang des Scooters umfasst:

- Rahmen mit Armlehnen, Lenker, Hinter- und Vorderrädern
- Fußplatte
- Sitz + Rücken
- Batterien (2x), Motoren
- Korb
- Rückspiegel (2x)
- Parkbremsen
- Akku-Ladegerät
- Zubehör
- Manuelle

3.3 Einstellen des Lenkers

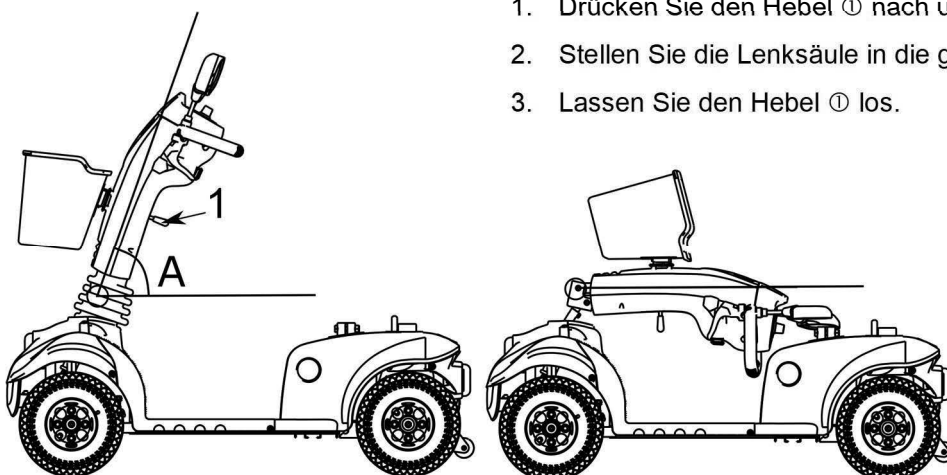
Abhängig von den Anforderungen des Fahrers kann der Lenker (stufenlos) auf viele verschiedene Positionen eingestellt werden. Der Winkel des Lenkers ist stufenlos verstellbar von 0° (horizontal, ohne Sitz) bis 80° (höchste Position).

⚠️ WARNUNG: Verletzungsgefahr - Verstellen Sie auf keinen Fall während der Fahrt den Lenksäule.

⚠️ WARNUNG: Verletzungsgefahr - Schalten Sie den Scooter aus, bevor Sie Verststellungen durchführen.

⚠️ WARNUNG: Verletzungsgefahr - Lehnen Sie sich nicht an die Lenksäule.

1. Drücken Sie den Hebel ① nach unten.
2. Stellen Sie die Lenksäule in die gewünschte Position.
3. Lassen Sie den Hebel ① los.



3.4 Einstellen des Sitzes

⚠️ WARNUNG: Verletzungsgefahr - Nehmen Sie auf keinen Fall während der Fahrt irgendwelche Einstellungen vor.

⚠️ WARNUNG: Verletzungsgefahr– Achten Sie darauf, dass der Sitz korrekt arretiert ist.

Entfernen Sitz (Abb. A)

1. Ziehen Sie den Sitzhebel ① nach oben.
2. Drehen Sie den Sitz ② ein wenig und heben Sie diesen aus der Aufhängung ⑤.
3. Lassen Sie den Sitzhebel ① los.

Sicherung des Sitzes (Abb. A)

1. Ziehen Sie den Sitzhebel ① nach oben.
2. Setzen Sie den Sitz ② auf die Sitzaufnahme ⑤ und halten Sie dafür den Sitzhebel ① komplett angezogen.
3. Lassen Sie den Sitzhebel ① los.
4. Prüfen Sie, ob den Sitz fest sitzt.

Drehbarer Sitz (Abb. A)

1. Ziehen Sie den Sitzhebel ① nach oben.
2. Drehen Sie den Sitz ② in die gewünschte Richtung.
3. Lassen Sie den Sitzhebel ① los, und der Sitz arretiert jeweils immer nach 20°.
4. Prüfen Sie, ob den Sitz fest sitzt.

Sitztiefeinstellung (Abb. A)

1. Ziehen Sie den Sitzhebel der Sitztiefeinstellung ③ nach außen.
2. Schieben Sie den Sitz ② auf der Sitztiefenschiene ④ vor oder zurück.
3. Lassen Sie den Hebel ③ los, wenn der Sitz ② die gewünschte Position erreicht hat und er rastet ein.
4. Bewegen Sie den Sitz ein wenig, bis er in der gewünschten Position einrastet.
5. Vergewissern Sie sich, dass der Sitz sicher verriegelt ist.

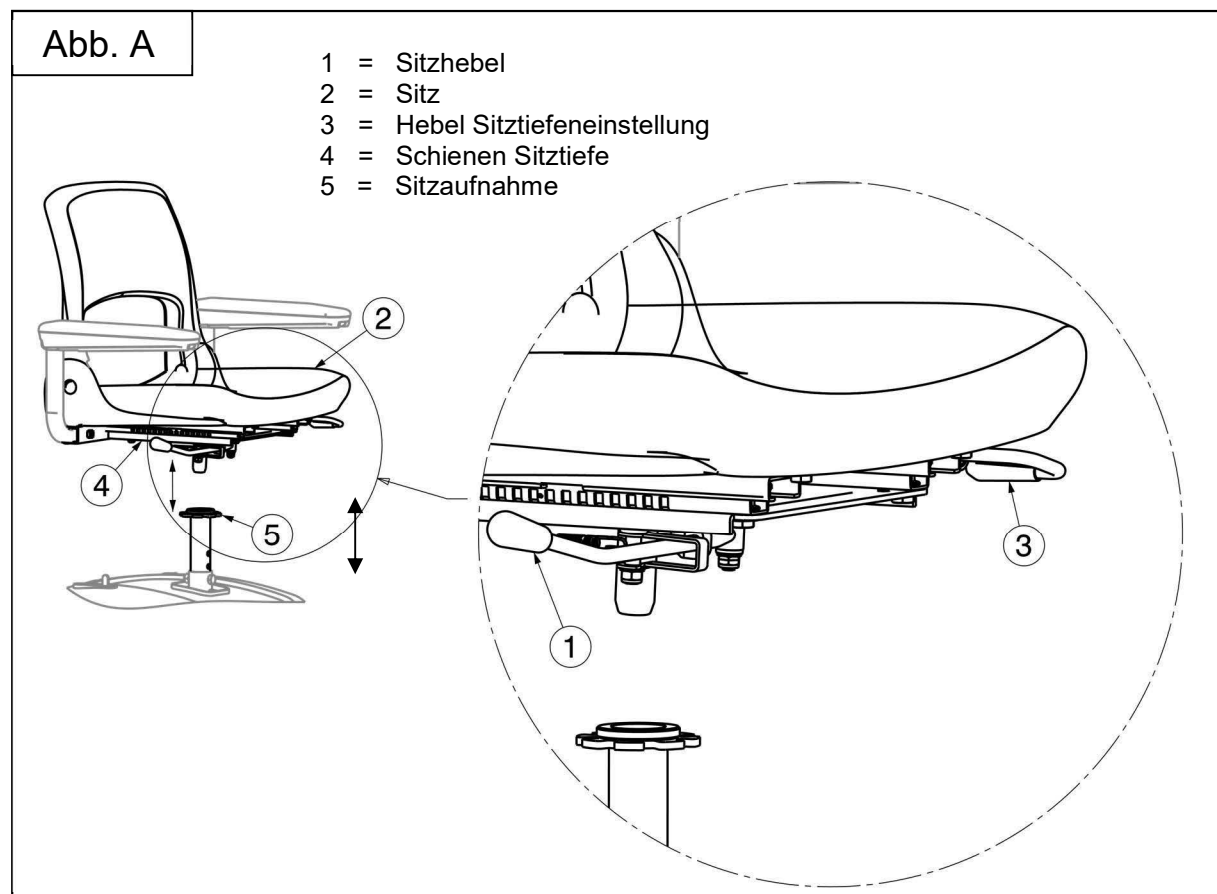
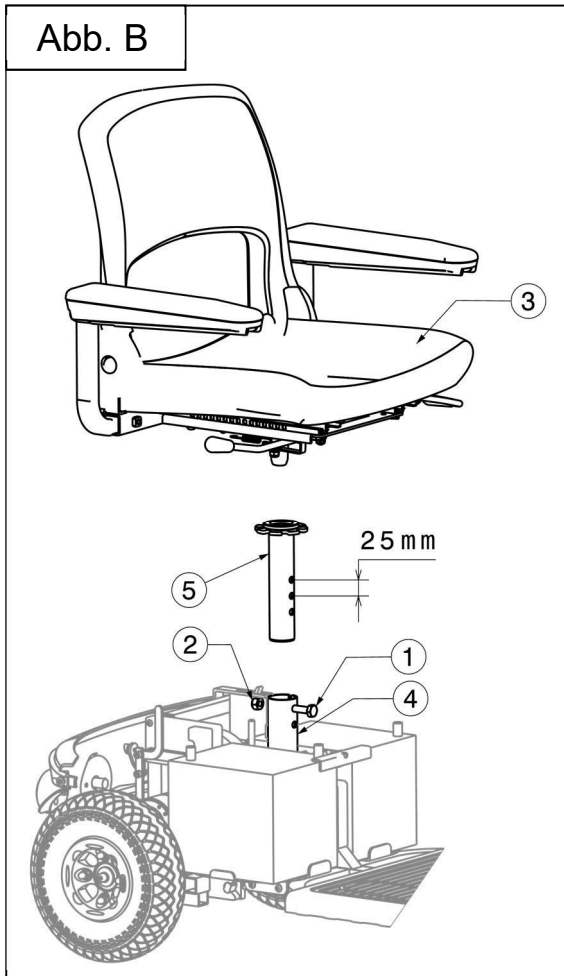


Abb. B

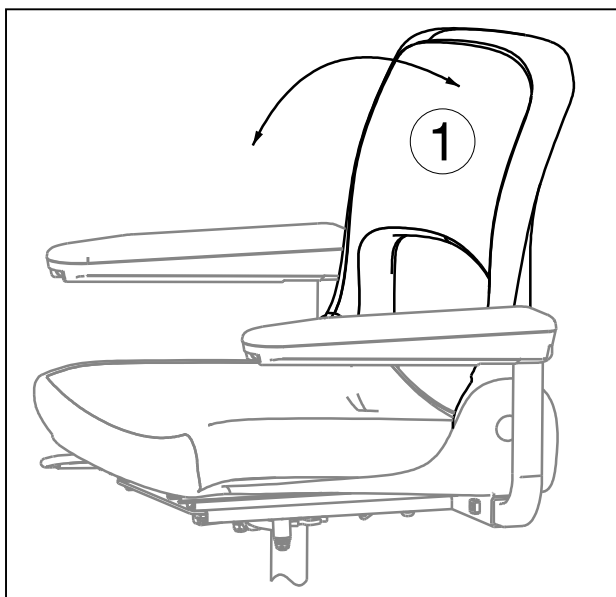


Sitzhöhe Einstellung (Abb. B)

Der Sitz kann in 3 verschiedene Sitzhöhen verstellt werden (Schritte: 25 mm).

1. Nehmen Sie den Sitz ③ und die Batteriefachabdeckung ab.
2. Lösen Sie die Bolzen ① und Muttern ②.
3. Schieben Sie die Sitzaufnahme ⑤ nach oben/unten, und stellen Sie diese in eine angenehme Sitzhöhe ④.
4. Befestigen Sie die Bolzen ① und Muttern ②.
5. Setzen Sie den Sitz ③ und die Batteriefachabdeckung erneut ein.
6. Vergewissern Sie sich, dass der Sitz ③ sicher verriegelt ist.

3.5 Herunterklappen der Rücken

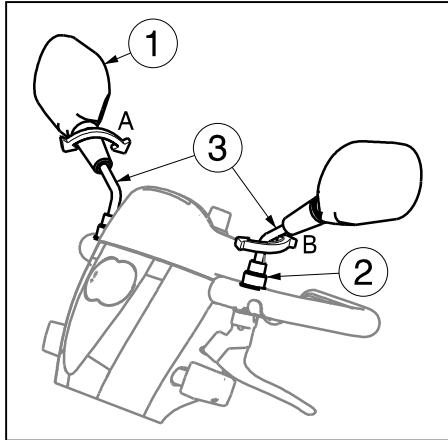


⚠️ WARNUNG: Verletzungsgefahr - Nehmen Sie auf keinen Fall während der Fahrt irgendwelche Einstellungen vor.

Drücken Sie die Rückenlehne ① nach vorne, um sie nach vorne zu klappen.
Ziehen Sie die Rückenlehne ① nach hinten, um sie in aufrechte Position zu bringen.

3.6 Einstellen der Rückspiegel

Es ist möglich, die Rückspiegel anpassen:



Verstellung 1 (Pfeil A):

1. Greifen Sie den Rückspiegel ①.
2. Drehen Sie die Rückspiegel ① in die gewünschte Position.

Oder

Verstellung 2 (Pfeil B):

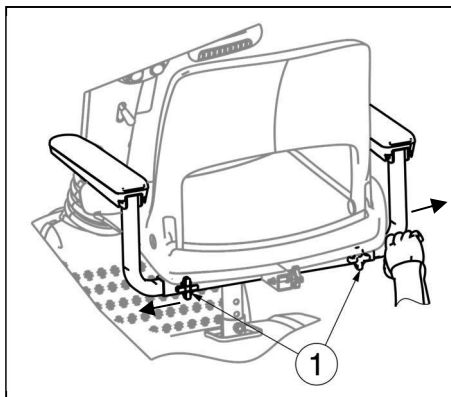
1. Bewegen Sie die Kappe ② nach oben.
2. Lösen Sie die Spiegel Schraube.
3. Greifen Sie das Rohr ③ vorsichtig.
4. Drehen Sie das Rohr ③ und setzen Sie den Spiegel ① in die gewünschte Position.

3.7 Einstellen des Armlehnen

⚠ VORSICHT: Kippgefahr - Vergewissern Sie sich, dass die Armlehnen symmetrisch zum Sitz positioniert sind.

⚠ VORSICHT: Verletzungsgefahr - Montieren Sie das Innenrohr immer mit der sicheren Abstand von 50 mm in das Außenrohr.

Die Armlehnen sind in der Breite einstellbar.



3.7.1 Einstellen der Armlehnenbreite

1. Entfernen die Sternrad ① auf der Rückseite der Scooter.
2. Greifen Sie das Innenrohr wie auf der nebenstehenden Abbildung gezeigt.
3. Bewegen Sie diese Armlehnen auf die gewünschte Breite (Bereich 100 mm auf beiden Seiten).
4. Ziehen Sie das Sternrad ① wieder fest.
5. Prüfen Sie, ob die Armlehnen korrekt eingehangen sind.

3.8 Reifenwechsel

⚠ VORSICHT: Vor dem Entfernen muss die Luft aus dem Schlauch entwichen sein.

⚠ VORSICHT: Gefahr von Sachschäden - Bei unsachgemäßer Handhabung können Schäden an der Felge entstehen.

Vor der Montage des neuen Schlauchs sollten Sie Folgendes beachten:

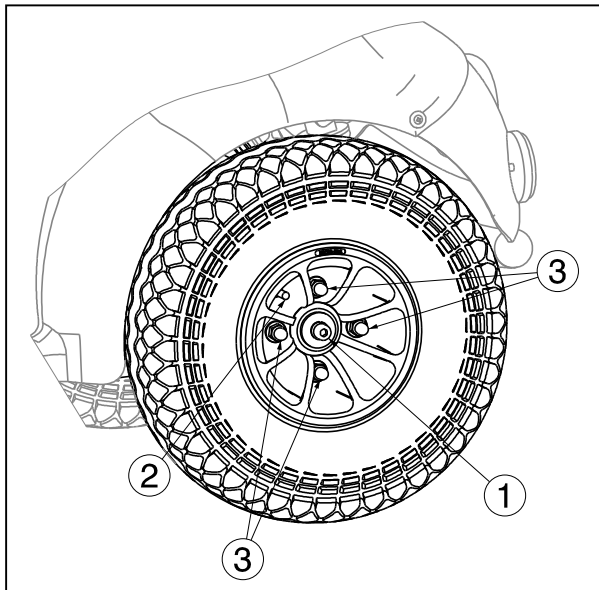
Prüfen Sie das Felgenbett und die Reifeninnenwand auf Fremdkörper und reinigen Sie diese gegebenenfalls gründlich. Überprüfen Sie den Zustand des Felgenbetts, besonders an der Ventilöffnung. Verwenden Sie bitte nur Originalersatzteile. Bei Beschädigungen durch Ersatzteile, die keine Originalersatzteile sind, übernehmen wir keine Haftung. Setzen Sie sich mit Ihrem Fachhändler in Verbindung.

Montage:

⚠ WARNUNG: Verletzungsgefahr - Prüfen Sie, ob der Luftdruck korrekt ist.

⚠ VORSICHT: Verletzungsgefahr - Achten Sie darauf, dass bei der Montage keine Gegenstände oder Körperteile zwischen Reifen und Felge eingeklemmt werden.

⚠ WARNUNG: Verletzungsgefahr - Vergewissern Sie sich vor der Inbetriebnahme des Scooters von Hand, dass alle Schrauben fest angezogen sind. An den Schrauben am Felgenhorn ist eine Schraubensicherung (z. B. Loctite) anzubringen. Die Schraubensicherung wirkt nur, wenn das Gewinde frei von Fett und Partikeln ist.



ZERLEGEN

1. Lösen und entfernen Sie die mittlere Achsschraube ① die das Rad und den Flansch mit der Achse verbindet.
2. Lassen Sie die Luft aus dem Reifen, indem Sie am Ventil leicht auf den Stift ② drücken.
3. Entfernen Sie die 4 Schrauben ③ an der Innenseite der Felge. Trennen Sie die beiden Felgenteile.

ZUSAMMENBAUEN

Legen Sie den teilweise gefüllten Schlauch in den Reifen ein.

1. Verbinden Sie die beiden Felgenteile durch die Bereifung und verbinden Sie die Flansch wieder mit den 4 Schrauben ③ an der Felge.
2. Stecken Sie das Ventil ② in die entsprechende Aussparung an der Felge.
3. Setzen Sie das Rad mit der Flansch wieder auf die Achse und sichern Sie mit der mittleren Schraube ① diese Verbindung. Befüllen Sie das Rad und beachten Sie den empfohlenen Reifendruck.

Vergewissern Sie sich, dass der Schlauch rundherum und an beiden Seiten nicht zwischen Reifenwulst und Felge eingeklemmt ist. Schieben Sie das Ventil leicht nach innen und ziehen Sie es wieder heraus, damit der Reifen im Ventilbereich gut sitzt.

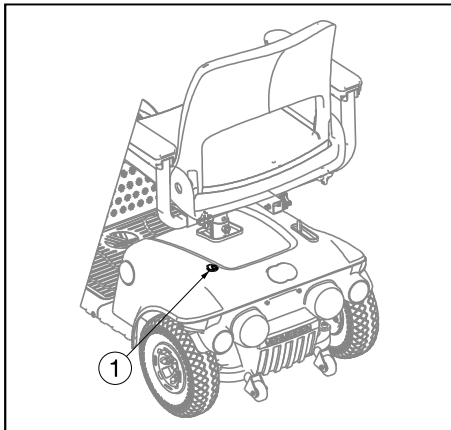
Füllen Sie beim Aufpumpen erst soviel Luft ein, dass sich der Reifen noch gut mit dem Daumen eindrücken lässt. Weist die Kontrolllinie auf beiden Reifenseiten den gleichen Abstand zum Felgenrand auf, sitzt der Reifen zentrisch. Wenn nicht, lassen Sie die Luft wieder ab und richten Sie den Reifen neu aus. Pumpen Sie nun den Reifen bis zum maximalen Betriebsdruck auf (Fülldruck beachten!) und drehen Sie die Staubkappe auf das Ventil.

Eine sachgerechte Montage ist nur durch den Fachmann gewährleistet. Bei Arbeiten, die nicht vom Fachmann ausgeführt werden, entfällt der Garantieanspruch.

Achten Sie bei der Befüllung der Reifen immer auf den korrekten Fülldruck. Diesen können Sie seitlich am Reifen ablesen.

Verwenden Sie zum Befüllen nur ordnungsgemäße Luftfülleinrichtungen mit Messskalen in bar. Für Schäden, die durch Verwendung von Luftfülleinrichtungen stammen, die nicht vom Hersteller mitgeliefert worden sind, übernehmen wir keine Gewährleistung.

3.9 Thermische Sicherung



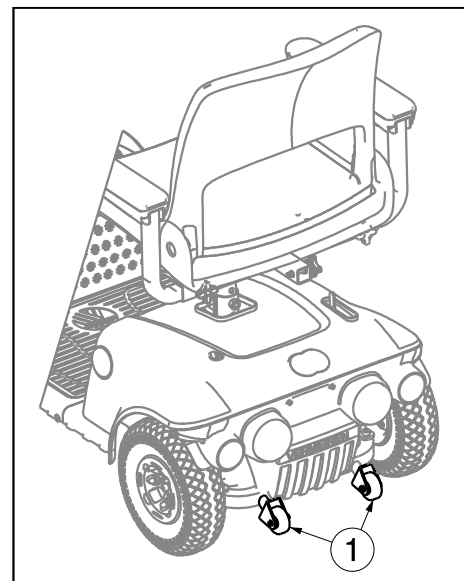
Zum Schutz des Motors vor Überlastung ist Ihr Scooter an der Rückseite mit einer Thermosicherung ① ausgerüstet. Die Thermosicherung schaltet den Motor automatisch ab, um eine Überhitzung und einen damit zusammenhängenden vorzeitigen Verschleiß oder Ausfall zu vermeiden. Erreichen können Sie die thermische Sicherung durch eine Aussparung der hinteren Kunststoffabdeckung.

Das Auslösen der thermischen Sicherung kann immer dann auftreten, wenn Gefälle oder Steigungen befahren werden, die die angegebenen Maximalwerte übersteigen. Ebenso kann bei Nennlasten oberhalb des Maximalwertes die Sicherung herauspringen. Auch beim Versuch zu fahren, während die Handbremse gezogen ist, besteht die Gefahr der Überlastung. Die zu beachtenden Werte entnehmen Sie bitte dem Kapitel „Technische Daten“ der jeweiligen Handbücher.

Zur Wiederinbetriebnahme des Scooters beseitigen Sie die Überlastung und warten Sie, bis der Motor abgekühlt ist. Danach schalten Sie die thermische Sicherung vorsichtig wieder ein. Der Scooter ist jetzt wieder betriebsbereit.

3.10 Kippschutz

Ein Kippschutz ① ist hinten am Rahmen des Scooters fest montiert. Ein Abnehmen ist daher nicht möglich. Der Kippschutz dient Ihrer Sicherheit. Er verhindert, dass der Scooter nach hinten umkippt, wenn Sie über kleinere Hindernisse fahren, die die angegebene maximale Höhe NICHT überschreiten.



3.11 Austauschen der Batterie

⚠ VORSICHT: Gefahr der Verätzung – Vermeiden Sie einen Kontakt mit der Batteriesäure. Achten Sie auf eine gute Belüftung des Batteriefachs.

⚠ VORSICHT: Gefahr von Personen- oder Sachschäden – Verwenden Sie zum Wechseln der Batterie nur auslaufsicheren Batterien; diese sind angedeutet mit einer „Non spillable“ Markierung.

Tauschen Sie beide Batterien auf einmal und nicht eine Batterie.

Wechseln Sie die Batterien Ihres Scooters mit den gleichen Typen Batterien (Typ: **"AGM-Aufgenommene Glasmatte"** Batterien).

Das mitgelieferte Ladegerät funktioniert nur mit AGM-Batterien.

Wenn Sie andere Arten von Batterien verwendet, ersetzen Sie auch das Akkuladegerät. Bei Schäden durch unsachgemäße Batterien, Ladegerät entfällt Ihr Gewährleistungsanspruch. Bei Unsicherheit für weiteres Batterien, Ladegeräts setzen Sie sich mit Ihrem Fachhändler in Verbindung.

Die Batterien sollten nur von geschultem Personal ausgewechselt werden. Die Verkabelung und das Ladegerät sind sicher im Scooter untergebracht. Versuchen Sie nicht, die Verkabelung selbst neu zu verlegen. Ein unsachgemäßes Verlegen der Verkabelung kann zum Einklemmen der Kabel führen, was einem Ausfall des elektronischen Systems Ihres Scooters zur Folge hat.

Achten Sie darauf, dass die Batteriekabel an die richtige Batterieklemme angeschlossen sind.

4 **Wartung**

Hinweise zur Wartung des Scooters entnehmen Sie bitte der Website von Vermeiren: <http://www.vermeiren.com/>.

VORSICHT

Gefahr von Personen- oder Sachschäden

Reparaturen und Erneuerungen dürfen nur von geschultem Personal und mit Original-Ersatzteilen von Vermeiren durchgeführt werden.



Die Wartungshäufigkeit hängt von der Häufigkeit und Intensität der Nutzung ab. Wenden Sie sich an Ihren Händler, um einen allgemeinen Zeitplan für Inspektion/Wartung/Reparatur zu vereinbaren.

Lesen Sie in der Bedienungsanleitung für das mitgelieferte Akkuladegerät die Wartungshinweise.

4.1 **Anweisungen zur Wiederverwendung**

4.1.1 **Produktfreigabe zur Wiederverwendung**

Auf der letzten Seite dieses Handbuchs befindet sich ein Registrierungsformular für den Fachhändler, in dem die einzelnen Wartungen aufgezeichnet werden. Diese Seite kann auch vom Verleihbetrieb verwendet werden, um die erforderliche Inspektion, Reinigung, Desinfektion und Wartung zu dokumentieren. Prüfen Sie vor jeder Wiederverwendung, ob die Wartung eingetragen ist, damit das Produkt zur Wiederverwendung freigegeben werden kann.

4.1.2 **Wartungshinweise**

Vor jeder Benutzung, kontrollieren Sie folgende Punkte:

- A Akkustatus: laden Sie den Akku ggf. auf, siehe §2.14.
- B Zustand der Räder/Reifen, siehe §4.1.3.
- C Alle Teile: sauber, siehe §4.1.3.
- D Bedienkonsole und relevante Kabel: keine Beschädigungen (z. B. durchgescheuerte, gebrochene oder freiliegende Kabel).
- E Räder, Deichsel, Bedienpult: Gut gesichert.
- F Sitz und Rückenlehne: Flecken, Beulen, Risse oder andere Beschädigungen. Ersetzen Sie ggfs. den Sitz und / oder die Rückenlehne.

Wenden Sie sich wegen etwaiger Reparaturen oder Ersatzteilen an Ihren Fachhändler.

Jährlich oder häufiger

Lassen Sie Ihren Scooter mindestens einmal pro Jahr oder häufiger von Ihrem Fachhändler inspizieren und warten. Die minimale Wartungshäufigkeit ist von der Benutzung abhängig und sollte daher zusammen mit Ihrem Fachhändler abgesprochen werden.

Bei Lagerung

Achten Sie darauf, dass Ihr Scooter trocken untergebracht ist, um zu verhindern, dass sich Schimmel bildet oder die Polsterung beschädigt wird.

Falls Ihr Scooter längere Zeit lang nicht benutzt wird, sollten Sie dennoch den Akku einmal pro Monat aufladen. Für weitergehende Informationen siehe §2.14.

4.1.3 **Räder und Reifen**

- A Achten Sie darauf, dass keine Drähte, Haare, Sand oder Teppichfasern an den Rädern anhaften.
- B Überprüfen Sie regelmäßig das Reifenprofil. Wenn die Profiltiefe weniger als 1 mm beträgt, muss der Reifen ausgetauscht werden. Wenden Sie sich diesbezüglich bitte an Ihren Fachhändler.

- C Überprüfen Sie den Reifendruck jedes Reifens. Der Druck hängt vom Reifentyp ab. Der erforderliche Druck ist auf dem Reifen ablesbar.
- D Wenn der Reifen zu wenig Druck hat oder sichtbar flach ist, wenden Sie sich an Ihren Fachhändler, um ihn aufzupumpen oder zu ersetzen.

⚠ VORSICHT: Gefahr von Personen- oder Sachschäden
Pumpen Sie den Reifen mit dem korrekten Druck auf (siehe Angabe auf dem Reifen).

4.1.4 Reinigung

⚠ VORSICHT: Beschädigungsgefahr durch Feuchtigkeit
Halten Sie die Bedienkonsole sauber und schützen Sie sie vor Wasser und Regen.

Benutzen Sie keinesfalls einen Wasserschlauch oder Hochdruckreiniger, um den Scooter zu reinigen.

Wischen Sie alle festen Teile des Rollstuhls mit einem feuchten (nicht durchnässten) Tuch ab. Benutzen Sie ggf. eine milde Seife, die für Lacke und Kunststoffe geeignet ist.

Die Polsterung kann mit lauwarmem Wasser und einer milden Seife gereinigt werden. Verwenden Sie keine scheuernden Reinigungsmittel.

Halten Sie die Lüftungsöffnungen des Ladegeräts sauber und frei von Staubansammlungen. Entfernen Sie vorhanden Staub und reinigen Sie das Gehäuse des Ladegeräts bei Bedarf mit einem angefeuchteten Tuch.

4.1.5 Desinfektion

⚠ VORSICHT: Beschädigungsgefahr - Eine Desinfektion darf nur von dafür geschultem Personal durchgeführt werden. Wenden Sie sich hierfür an Ihren Fachhändler.

5 Nutzungsende

Am Ende seiner Nutzungsdauer muss Ihr Scooter gemäß den geltenden Umweltvorschriften entsorgt werden. Dazu wird er im besten Fall zerlegt, um den Transport wiederverwertbarer Teile zu erleichtern. Üblicherweise wird der Akku getrennt gesammelt.

6 Übereinstimmungserklärung

Dieses Produkt hat eine CE-Zertifizierung und ist als ein Medizinprodukt der Klasse I eingestuft.

Die CE-Kennzeichnung bestätigt die Konformität des Produkts mit Normen zum Schutz der Gesundheit, Sicherheit und Umwelt, die für im europäischen Wirtschaftsraum gehandelte Produkte gelten.

Eine Kopie der Konformitätserklärung ist über unsere Website verfügbar:

<http://www.vermeiren.com/>.





Indice

1	Descrizione del prodotto	3
1.1	<i>Destinazione d'uso</i>	3
1.2	<i>Istruzioni per la sicurezza</i>	4
1.3	<i>Specifiche tecniche</i>	5
1.4	<i>Accessori</i>	6
1.5	<i>Componenti</i>	7
1.6	<i>Posizione della targhetta di identificazione</i>	7
1.7	<i>Legenda dei simboli</i>	8
1.8	<i>Durata prevista</i>	8
2	Utilizzo	9
2.1	<i>Osservazioni sulla compatibilità elettromagnetica (EMC, electromagnetic compatibility)</i>	9
2.2	<i>Trasporto dello scooter</i>	10
2.3	<i>Montaggio e smontaggio dello scooter</i>	10
2.4	<i>Utilizzo dei freni</i>	11
2.5	<i>Trasferimento da e verso lo scooter</i>	11
2.6	<i>Posizione corretta nello scooter</i>	11
2.7	<i>Guida dello scooter</i>	11
2.8	<i>Guida dello scooter sulle rampe</i>	14
2.9	<i>Guida dello scooter oltre gli ostacoli</i>	15
2.10	<i>Unità di comando</i>	15
2.11	<i>Marcia in folle</i>	16
2.12	<i>Trasporto</i>	16
2.13	<i>Spegnimento automatico</i>	17
2.14	<i>Carica della batteria</i>	17
3	Installazione e regolazione	19
3.1	<i>Attrezzi</i>	19
3.2	<i>Modalità di consegna</i>	19
3.3	<i>Regolazione del piantone dello sterzo</i>	19
3.4	<i>Regolazione del sedile</i>	20
3.5	<i>Piegare lo schienale</i>	21
3.6	<i>Regolazione degli specchietti retrovisori</i>	22
3.7	<i>Regolazione dei braccioli</i>	22
3.8	<i>Sostituzione degli pneumatici</i>	22
3.9	<i>Fusibili termici</i>	24
3.10	<i>Protezione antiribaltamento</i>	24
3.11	<i>Sostituzione della batteria</i>	25
4	Manutenzione	25
4.1	<i>Istruzioni per il riutilizzo</i>	25
5	Fine vita	26
6	Dichiarazione di conformità	26

Premessa

Ringraziamo per la fiducia accordataci con l'acquisto di uno dei nostri scooter.

La durata dello scooter dipende fortemente dalla cura e manutenzione che vi si dedicano.

Il presente manuale ha lo scopo di aiutare ad acquisire familiarità con il funzionamento dello scooter.

Attenersi alle istruzioni operative e di manutenzione costituisce parte integrante della garanzia.

Il manuale riflette gli sviluppi più recenti dei prodotti. Vermeiren si riserva il diritto di apportare modifiche senza preavviso, senza essere tenuta a sostituire o adattare modelli forniti in precedenza.

Per qualsiasi chiarimento, rivolgersi al rivenditore specializzato.

Informazioni disponibili

Sul sito Web di Vermeiren, all'indirizzo <http://www.vermeiren.com/> è sempre disponibile la versione più recente delle informazioni indicate di seguito. Consultare con regolarità tale sito, in quanto è possibile che la versione stampata non sia aggiornata.



- Questo manuale
Le persone ipovedenti possono scaricare la versione elettronica di questo libretto e farlo leggere da un software applicativo di sintesi vocale.



- Dichiarazione di conformità CE
Per l'utente e il concessionario autorizzato



- Istruzioni per il montaggio e lo smontaggio dei componenti opzionali
Per il concessionario autorizzato



- Manuale di assistenza
Per il concessionario autorizzato

Contatti

Potete trovare il rivenditore autorizzato a voi più vicino contattando direttamente la Vermeiren Italia.



1 Descrizione del prodotto

1.1 Destinazione d'uso

Lo scooter è destinato al trasporto di persone. Lo scooter è destinato al trasporto di una sola persona. È vietato trasportare passeggeri (inclusi i bambini).

Lo scooter è destinato solo al trasporto di persone adulte, non di persone di età inferiore ai 16 anni o di oggetti.

Non deve essere utilizzato da persone che soffrono di gravi disturbi fisici o mentali che potrebbero influire sulla sicurezza d'uso nel traffico.

Tra le suddette limitazioni figurano:

- emiplegia e paraplegia
- demenza
- minorazione visiva

Lo scooter rientra nella classificazione B.

Lo scooter può essere utilizzato all'esterno.

Nella valutazione delle esigenze personali, si consiglia di tenere in considerazione i seguenti fattori:

- corporatura e peso corporeo (140 kg massimo)
- condizioni psico-fisiche
- abitazione
- ambiente

Lo scooter deve essere utilizzato su superfici piane che garantiscano il contatto di tutte le quattro ruote e la spinta uniforme le ruote.

Esercitarsi nella guida su superfici sconnesse (ciottoli, ecc.), pendenze, curve e nel superamento di ostacoli (scalini, ecc.).

Non utilizzare lo scooter come scala, né per trasportare oggetti pesanti o caldi.

Se si utilizza lo scooter in strada o sul marciapiede, attenersi alle norme del codice della strada.

Lo scooter può essere utilizzato sul marciapiede o sulle strade urbane. In nessuna circostanza utilizzare lo scooter su strade molto trafficate o autostrade.

Utilizzare solo gli accessori approvati da Vermeiren.






























La casa costruttrice non può essere ritenuta responsabile per danni causati da mancanza di manutenzione adeguata o risultanti dal mancato rispetto delle istruzioni contenute nel presente manuale.

La conformità con le istruzioni d'uso e di manutenzione costituisce parte integrante delle condizioni di garanzia, pertanto si consiglia di leggere attentamente le pagine che seguono.

I pazienti con problemi di vista possono contattare il rivenditore per le istruzioni d'uso.


Avviso: questo prodotto è adatto ed approvato per il riutilizzo da parte di un altro paziente, se consegnato tramite un servizio di noleggio. Seguire le istruzioni in §4.1.

1.2 Istruzioni per la sicurezza

-  Utilizzare solo gli accessori approvati da Vermeiren.
-  Prima di salire o scendere, smontare o trasportare lo scooter, spegnere il veicolo utilizzando il pulsante di avvio/arresto ("OFF").
-  Durante il trasporto, lo scooter deve essere vuota e non deve essere utilizzata per il trasporto di persone.
-  Verificare gli effetti dello spostamento del baricentro sullo scooter, ad esempio in salita o discesa, su superfici inclinate lateralmente o accidentate.
-  Non guidare su strade con traffico intenso o accidentate (fangose, ghiaiose, irregolari, strette, con neve o ghiaccio, passerelle prive di recinto o barriere).
-  Evitare luoghi in cui le ruote possano rimanere bloccate.
-  Accertarsi che i vestiti non rimangano impigliati nelle ruote.
-  Se si raccolgono oggetti che si trovano davanti, di fianco o dietro lo scooter, prestare attenzione a non sporgersi troppo: rischio di ribaltamento.
-  Evitare di utilizzare la modalità a scorrimento libero se lo scooter si trova su una superficie in pendenza.
-  Non fare mai retromarcia in salita.
-  Ridurre la velocità in prossimità degli angoli.
-  Non utilizzare lo scooter su scale mobili.
-  Durante la guida, tenere saldamente le impugnature con entrambe le mani.
-  Durante la guida, appoggiare gambe e piedi sulle apposite superfici di appoggio.
-  Non usare lo scooter quando piove, nevica o c'è vento.
-  Se lo scooter viene riposto o parcheggiato all'esterno, proteggerlo dall'umidità con una copertura adeguata.
-  Umidità ambientale elevata o freddo intenso possono ridurre il livello di prestazioni dello scooter.
-  Utilizzare lo scooter nel rispetto delle normative vigenti e delle istruzioni fornite. Evitare, ad esempio, di superare ostacoli o dislivelli di dimensioni notevoli (gradini, cordolo del marciapiede).
-  Nella marcia su strada, rispettare il codice della strada. Fare attenzione anche agli altri veicoli.
-  Come per tutti gli altri veicoli, è vietata la guida in stato di ebbrezza o sotto l'influsso di alcol. Ciò vale anche per spostamenti in ambienti interni.
-  In ambienti esterni, tenere conto delle condizioni atmosferiche e del traffico.
-  Per poter essere visibili nell'oscurità, indossare abiti chiari o dotati di catarifrangenti e verificare che i catadiottri dello scooter siano perfettamente visibili e che le luci siano accese.
-  Assicurarsi che le luci del scooter siano pulite e non siano coperti da oggetti che potrebbero diminuirne la luminosità.
-  Non utilizzare mai lo scooter in sostituzione degli appositi seggiolini in un'automobile o in altri veicoli.
-  Verificare che gli pneumatici siano adeguatamente gonfi.
-  Se lo scooter è dotata di pneumatici, verificare che la pressione sia delle gomme adeguata (*vedere le indicazioni relative alla pressione degli pneumatici*) per ottimizzare la stabilità dello scooter.
-  Accertarsi di non superare il carico massimo previsto per lo scooter.
-  Non caricare eccessivamente il cestello. Il carico massimo previsto per il cestello è di 5 kg.
-  Si consiglia di non usare il cavo di alimentazione con una prolunga. Utilizzare il carica batterie direttamente sulla presa della corrente. Si consiglia di non utilizzare le prese di corrente con un interruttore a tempo.

1.3 Specifiche tecniche

Le specifiche tecniche riportate di seguito sono applicabili allo scooter con configurazione standard e in condizioni ambientali ottimali. In caso di utilizzo di accessori diversi dallo standard, i valori della tabella subiranno variazioni. Le prestazioni della carrozzina possono essere influenzate negativamente da cambiamenti della temperatura esterna, umidità dell'aria, pendenza della superficie di appoggio, terreno accidentato e livello di carica della batteria.

Marchio	Vermeiren		
Indirizzo	Vermeirenplein 1/15, B-2920 Kalmthout		
Tipo	Scooter a trazione posteriore, Classe B		
Peso massimo dell'utilizzatore	140 kg		
Modello	Eris		
Descrizione	Dimensioni		
Velocità massima	6 km/h	10 km/h	
Autonomia*	35 km (batterie 38 Ah) 45 km (batterie 50 Ah)	29 km (batterie 38 Ah) 37 km (batterie 50 Ah)	
Lunghezza	1185 mm		
Larghezza	570 mm		
Altezza	1150 mm		
Larghezza del sedile	435 mm		
Lunghezza quando ripiegato o smontato	950 mm		
Larghezza quando ripiegato o smontato	570 mm		
Altezza quando ripiegata o smontata	600 mm (sedile rimosso, unità di comando ripiegata)		
Peso totale	75 kg		
Peso della parte più pesante smontabile o rimovibile	57 kg (senza sedile) o 46 kg (senza sedile e batterie)		
Peso delle parti smontabili o rimovibili	Sedile: 11 kg; Batterie: 26,5 kg		
Stabilità statica in discesa	9°		
Stabilità statica in salita	9°		
Stabilità statica laterale	9°		
Stabilità dinamica	6°		
Pendenza massima consentita	6°		
Altezza minima da terra	50 mm (Ruotine antiribaltamento)		
Superamento degli ostacoli	75 mm		
Basculamento del sedile	6°		
Profondità del sedile regolabile	360 mm		
Altezza della superficie del sedile all'estremità anteriore (misurata da terra)	595 mm - 645 mm		
Altezza della superficie del sedile all'estremità anteriore (misurata da piatto pedana)	450 mm - 500 mm		
Altezza dal piatto pedana	145 mm		
Reclinazione dello schienale	25°		
Altezza regolabile dello schienale	340 mm		
Distanza tra imbottitura dei braccioli e sedile	180 mm		
Posizione anteriore della struttura del bracciolo	270 mm		
Motore	Nom. 320 Watt, freni elettromagnetici		

Marchio	Vermeiren	
Indirizzo	Vermeirenplein 1/15, B-2920 Kalmthout	
Tipo	Scooter a trazione posteriore, Classe B	
Peso massimo dell'utilizzatore	140 kg	
Modello	Eris	
Descrizione	Dimensioni	
Batterie	38 Ah	50 Ah
Unità di comando	70 A	
Tensione nominale (batteria)	2 x 12V ---	
Grado di protezione	IPX4	
Caricabatterie	6 Amp (esterno)	8 Amp (esterno)
Conessioni USB:	No	
Classe di protezione caricabatteria	IPX1	
Classe di isolamento caricabatteria	II	
Raggio di sterzata minimo	2900 mm	
Ampiezza sterzata	2900 mm	
Diametro ruote posteriori (numero)	3.00-4 pneumatici (2)	
Pressione di gonfiaggio pneumatici, ruote motrici/posteriori	Max. 3,5 bar	
Diametro ruote direttrici (numero)	3.00-4 pneumatici (2)	
Pressione di gonfiaggio pneumatici, ruote direttrici	Max. 3,5 bar	
Impugnatura	Leva di controllo della velocità	
Luci	Di serie	
Indicatore luminoso	Di serie	
Specchietti	Optional	
Temperatura per utilizzo e conservazione	+5 °C fino a +40 °C	
Temperatura d'esercizio dell'elettronica	-10°C fino a +40°C	
Umidità per utilizzo e conservazione	30%	
Certificato	ISO 7176-14:2008	
Resistenza al fuoco	EN1021-2	
La casa produttrice si riserva il diritto di apportare modifiche tecniche. Tolleranza misurazioni ± 15 mm / 1,5 kg / 1,5° .		
* L'autonomia di guida teorica risulterà inferiore se lo scooter viene utilizzato spesso su pendenze, terreni accidentati o scalini. Percorrenza max è testato secondo ISO 7176-4 in condizioni ideali.		

Tabella 1: Specifiche tecniche

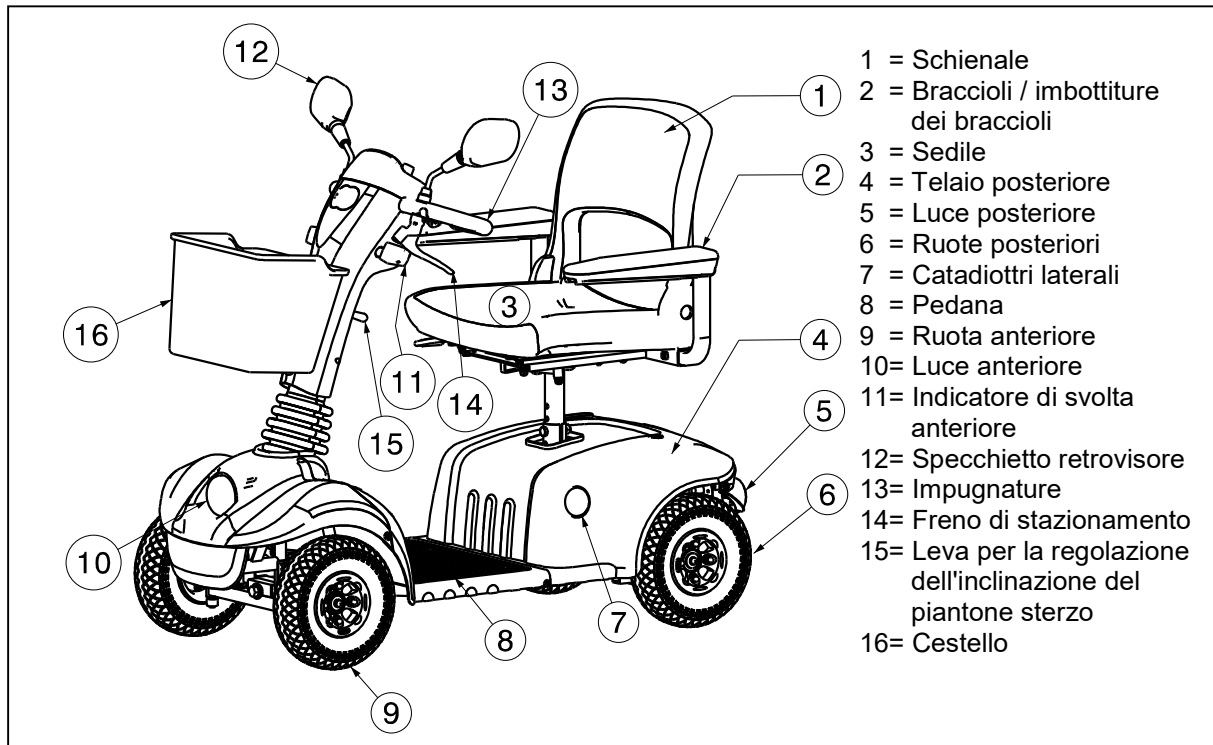
1.4 Accessori

Per il modello Eris sono disponibili gli accessori seguenti:

⚠ AVVERTENZA: rischio di lesioni - Accertarsi che le porta stampella siano fissate saldamente per evitare il rischio di caduta addosso al paziente.

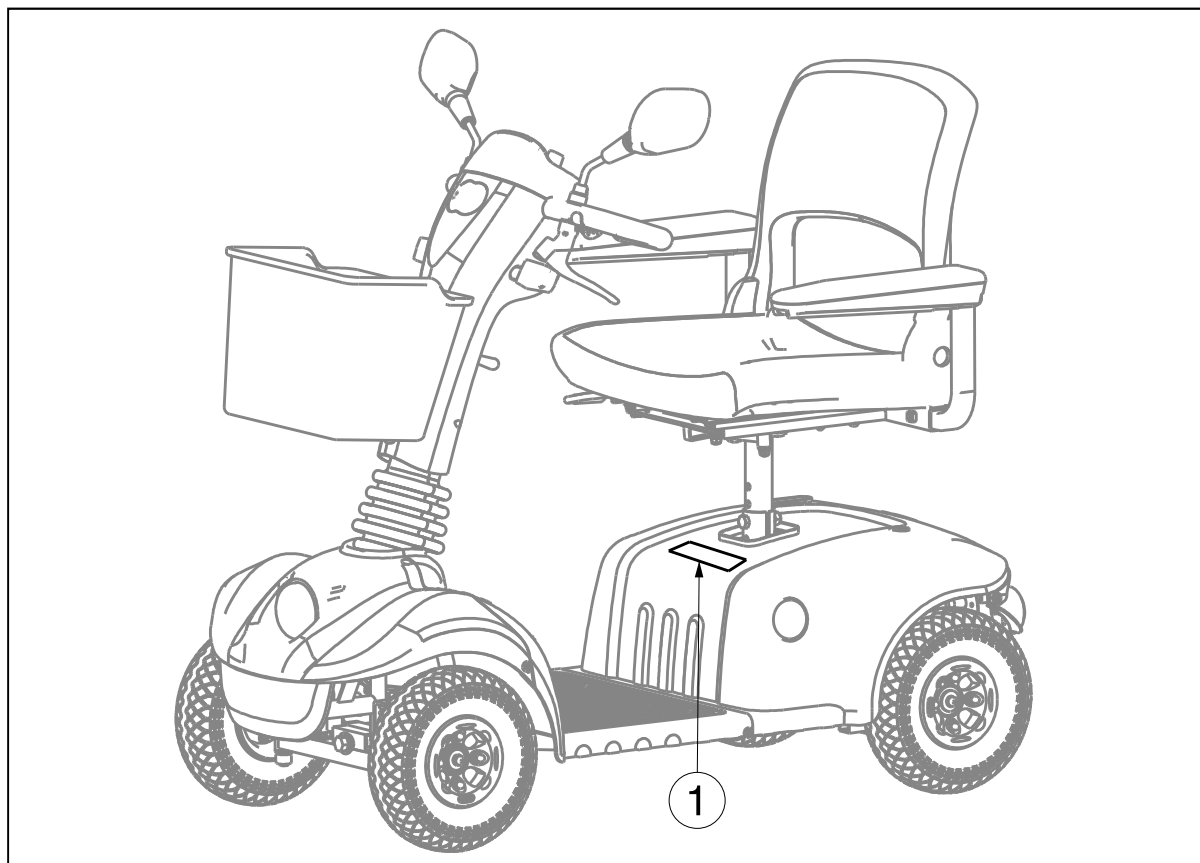
- Porta stampella
- Scooterpac
- Bauletto
- Sostegno per deambulatore

1.5 Componenti



1.6 Posizione della targhetta di identificazione

L'etichetta di identificazione ① si trova sul sotto la carena. La targhetta di identificazione si trova anche sotto lo sportello dell'alloggiamento della batteria.



1.7 *Legenda dei simboli*



Portata massima



Utilizzo in ambienti esterni



Utilizzo interno (solo per caricabatteria)



Ciclo di smaltimento e riciclo separato per dispositivi elettrici ed elettronici (solo per caricabatterie)



Classe di protezione II



Pendenza massima consentita



Conformità CE



Velocità massima



Non utilizzabile come sedile in un veicolo a motore



Modello



Avvertenza: Tenere lontane mani e dita.

1.8 *Durata prevista*

Lo scooter ha una durata media prevista di 5 anni. Tale valore aumenta o diminuisce a seconda della frequenza di utilizzo, delle condizioni di guida e della manutenzione.

2 Utilizzo

Nel capitolo viene descritto l'utilizzo quotidiano. **Le presenti istruzioni sono destinate all'utente e al rivenditore specializzato.**

Il prodotto viene fornito completamente assemblato dal rivenditore. Le istruzioni destinate al rivenditore, relative alla configurazione dello scooter sono descritte al punto § 3.

2.1 Osservazioni sulla compatibilità elettromagnetica (EMC, *electromagnetic compatibility*)

La conformità EMC dello scooter è stata testata in base alle normative ISO 7176-21.

Si segnala che le fonti elettromagnetiche, quali ad esempio i telefoni cellulari, possono provocare interferenze. A loro volta, i componenti elettronici dello scooter possono influenzare il funzionamento di altri apparecchi elettrici.

Per ridurre l'effetto delle fonti elettromagnetiche di interferenza, leggere le indicazioni seguenti:

- ⚠ AVVERTENZA:** Lo scooter potrebbe interferire con il funzionamento di dispositivi che si trovano nello stesso ambiente e che generano campi elettromagnetici.
- ⚠ AVVERTENZA:** Le prestazioni di guida del scooter potrebbero essere influenzate dai campi elettromagnetici, ad esempio generatori elettrici o fonti ad alta potenza.
- ⚠ AVVERTENZA:** Evitare l'utilizzo di TV o radio portatili in prossimità dello scooter se questo è in funzione.
- ⚠ AVVERTENZA:** Evitare l'utilizzo di ricetrasmittitori o telefoni cellulari in prossimità dello scooter se questo è in funzione.
- ⚠ AVVERTENZA:** Verificare la presenza di antenne per trasmettitori ed evitare di utilizzare lo scooter nelle vicinanze.
- ⚠ AVVERTENZA:** Nel caso in cui si verificasse un movimento o una frenata accidentale, spegnere lo scooter non appena possibile.

Interferenze di campi elettromagnetici potrebbero avere effetti negativi sul sistema elettronico dello scooter, determinando ad esempio:

- Disattivazione del freno a motore
- Movimenti fuori controllo dello scooter
- Sterzate accidentali

In presenza di interferenze molto forti e durature, i sistemi elettronici potrebbero subire danni permanenti o irrimediabili.

Fonti possibili di radiazioni:

- Installazioni ricetrasmittenti portatili (ricetrasmittitori con antenna fissa montati direttamente sull'unità di trasmissione)
 - Impianti ricetrasmittenti
 - Telefoni cellulari o "walkie talkie"
 - TV, radio e altri dispositivi elettronici portatili
 - Altri dispositivi di comunicazione personale
- Ricetrasmittitori mobili di media portata, ad esempio antenne auto montate all'esterno del veicolo
 - Impianti ricetrasmittenti fissi
 - Dispositivi ricetrasmittenti fissi e portatili
 - Radio, TV e dispositivi elettronici fissi
- Dispositivi ricetrasmittenti a lunga portata
 - Tralicci radio e televisione
 - Impianti radio amatoriali

Altri dispositivi casalinghi quali lettori CD, PC portatili, telefoni cordless, radio AM/FM, rasoi elettrici e asciugacapelli se perfettamente funzionanti e in ottime condizioni non provocheranno alcuna interferenza. Per garantire il funzionamento corretto dello scooter, attenersi alle istruzioni d'uso fornite con gli apparecchi elettrici.

- IT**
1. Non azionare dispositivi di comunicazione portatili (ricetrasmittitori) quali radio CB e telefoni cellulari, mentre lo scooter è acceso.
 2. Fare attenzione ai trasmettitori che si trovano nelle vicinanze, quali stazioni radio o TV, ed evitare di avvicinarsi.
 3. Nel caso in cui si verificasse un movimento non desiderato o i freni venissero rilasciati, spegnere immediatamente lo scooter.
 4. Attenzione, l'aggiunta di accessori o componenti o la modifica dello scooter potrebbero renderlo maggiormente suscettibile alle interferenze elettromagnetiche. Nota: non è possibile valutare in modo preciso gli effetti sull'immunità generale dello scooter in funzione.

L'intensità dell'energia EM che interferisce può essere misurata in Volt per metro (V/m). Ogni veicolo può resistere alle interferenze elettromagnetiche fino a una determinata intensità. Questo viene definito il "livello di immunità". La protezione aumenta insieme al livello di immunità è alto. Attualmente, la tecnologia è in grado di offrire un livello di immunità pari a 20 V/m, che garantisce una protezione utile contro le sorgenti più comuni di interferenze elettromagnetiche. Il presente modello di veicolo, così come viene inviato, senza ulteriori modifiche, presenta un livello di immunità pari a 20 V/m senza accessori.

2.2 Trasporto dello scooter

Il modo migliore per trasportare lo scooter è l'uso della modalità a scorrimento libero. Impostare la modalità a scorrimento libero (motore in folle) e spingere lo scooter fino a raggiungere la posizione desiderata.

Se questa operazione non è possibile, seguire questi passaggi:

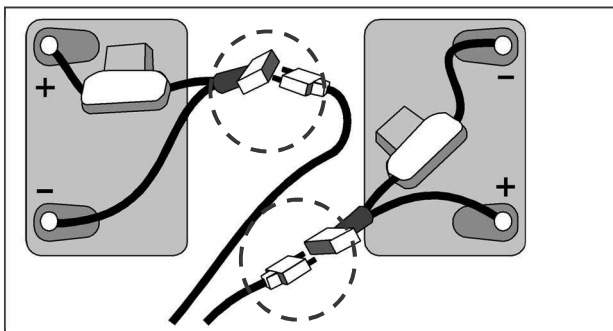
1. Spegnerlo scooter.
2. Rimuovere le parti mobili (sedile e batterie).
3. Riporre le parti mobili in un luogo sicuro.
4. Trasportare il telaio e l'unità di comando con l'aiuto di 2 o 3 persone nel luogo desiderato. Sollevare lo scooter dal telaio e non dai paraurti o componenti in plastica. Afferrare solo le parti fisse del telaio.

2.3 Montaggio e smontaggio dello scooter

- ⚠ **AVVERTENZA:** rischio di lesioni - Assicurarsi che tutte le parti mobili siano fissate saldamente.
- ⚠ **AVVERTENZA:** rischio di lesioni - Il montaggio e lo smontaggio deve essere effettuato solo da personale specializzato ovvero da un rivenditore autorizzato.
- ⚠ **AVVERTENZA:** rischio di lesioni - Prestare attenzione a non ferirsi con i cavi.
- ⚠ **AVVERTENZA:** rischio di lesioni - Spegnerlo scooter prima di smontarlo.
- ⚠ **ATTENZIONE:** rischio di pizzicamento - Non infilare le dita tra i componenti dello scooter.

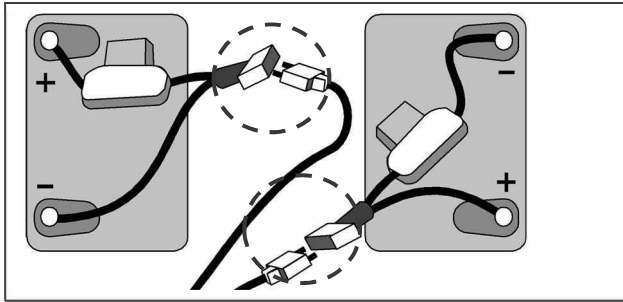
Per lo smontare lo scooter, seguire questi passaggi:

- Spegnerlo scooter.
- Rimuovere il sedile, vedere il capitolo "Regolazione del sedile".
- Rimuovere il coperchio in plastica posteriore delle batterie.



- Allentare le strisce in velcro per il fissaggio delle batterie.
- Scollegare tutti i connettori delle batterie (non i poli della batteria) e tutti i connettori dei cavi e dell'alloggiamento.
- Rimuovere le batterie.
- Ripiegare il piantone verso il basso.

Per rimontare lo scooter, seguire questi passaggi:

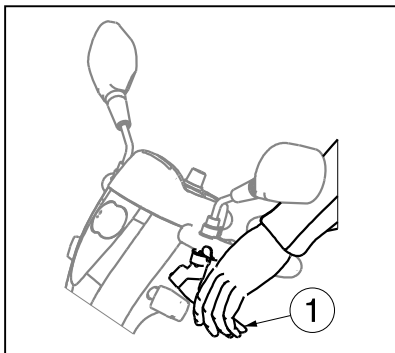


- Sollevare verso l'alto il piantone.
- Riposizionare le batterie e collegare i connettori, associare i componenti dello stesso colore.
- Fissare saldamente le batterie con le strisce in velcro in modo che non si muovano durante la marcia del veicolo.
- Montare il coperchio in plastica posteriore.
- Montare il sedile, vedere il capitolo "Regolazione del sedile".

2.4 Utilizzo dei freni

Per azionare i freni elettromagnetici:

1. Rilasciando la leva di controllo della velocità, il freno elettromagnetico del motore si attiva automaticamente e lo scooter si arresta.



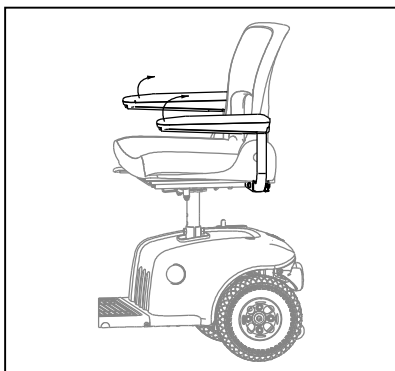
Per azionare i freni di stazionamento (facoltativo):

1. Tirare la leva del freno ① verso l'impugnatura.
2. Rilasciare la leva del freno ①.

È possibile regolare il freno di stazionamento utilizzando l'apposito regolatore del cavo.

2.5 Trasferimento da e verso lo scooter

⚠ AVVERTENZA: Rischio di lesioni – Spegnerne sempre lo scooter prima di salire o scendere.



1. Posizionare lo scooter il più vicino possibile al punto verso il quale si desidera effettuare il trasferimento.
2. Verificare che il pannello di controllo (scooter) sia spento.
3. Ripiegare verso l'alto l'imbottitura dei braccioli del lato lungo il quale si effettua il trasferimento.
4. Trasferire il paziente sul sedile dello scooter o dal sedile dello scooter.

2.6 Posizione corretta nello scooter

Alcuni consigli per un utilizzo confortevole dello scooter:

1. Posizionarsi il più vicino possibile allo schienale.
2. Accertarsi che le cosce siano in posizione orizzontale.

2.7 Guida dello scooter

⚠ AVVERTENZA: Pericolo di ustioni - Prestare attenzione durante l'uso in ambienti molto caldi o molto freddi, (esposizione al sole, freddo estremo, sauna, ecc.) per un periodo di tempo prolungato. Le superfici potrebbero assumere la stessa temperatura dell'ambiente in cui si trova lo scooter.

- IT**
- ⚠ AVVERTENZA:** pericolo di impostazioni non sicure - Utilizzare solo le impostazioni descritte nel presente manuale.
 - ⚠ AVVERTENZA:** Rischio di lesioni – Spegner sempre lo scooter prima di salire o scendere.

2.7.1 Preparazione dello scooter per l'uso

La prima volta che si utilizza lo scooter, accertarsi che si trovi su una superficie piana. Tutte le ruote devono essere a contatto con il suolo.

1. Per il primo utilizzo, caricare completamente le batterie.
2. Accertarsi che il motore sia acceso.
3. Regolare l'unità di comando nella posizione più comoda e accertarsi che sia fissata saldamente.
4. Accertarsi che il sedile sia bloccato nella posizione di guida.
5. Accomodarsi nel sedile e ripiegare entrambi i braccioli in modo da poter appoggiare le braccia.
6. Inserire la chiave di accensione e girare verso destra, attendere almeno 3 secondi prima di premere la leva della velocità altrimenti comparirà l'allarme di " protezione ritardo ". Se necessario, accendere i fanali.
7. Controllare l'indicatore della batteria per verificare che il livello della stessa sia sufficiente per il tragitto. In caso di dubbi, ricaricare le batterie prima di partire.

Impostare il controllo della velocità sull'unità di comando sul valore minimo. Lo scooter è pronto per l'uso. Impostare l'alta velocità solo quando si è più sicuri, e quando si è in grado di utilizzare e manovrare lo scooter con facilità.

Prima di utilizzare lo scooter in zone affollate o potenzialmente pericolose, familiarizzarsi con il funzionamento dello stesso. Fare pratica in una zona ampia e aperta, come ad esempio un parco.

2.7.2 Al termine dell'utilizzo

Prima di scendere dallo scooter accertarsi che tutte le quattro ruote siano a contatto con il suolo. Girare la chiave di accensione su "OFF" (l'indicatore di carica si spegnerà) per spegnere la luce.

2.7.3 Parcheggio dello scooter

Dopo avere spento lo scooter, non sarà possibile inviare alcun comando al sistema di guida. Non sarà possibile disattivare i freni elettromagnetici prima di riaccendere lo scooter. Parcheggiare lo scooter sempre in luoghi sicuri e ben controllabili.

2.7.4 Il primo viaggio

- ⚠ AVVERTENZA:** controllare lo scooter - Familiarizzare con il comportamento dello scooter in fase di marcia.
- ⚠ AVVERTENZA:** controllare lo scooter - Non utilizzare contemporaneamente entrambe le estremità della leva di controllo della velocità. Questo potrebbe impedire il controllo dello scooter.
- ⚠ AVVERTENZA:** controllare lo scooter, rischio di lesioni - Non regolare la velocità durante la fase di marcia.
- ⚠ AVVERTENZA:** rischio di lesioni - Mentre si procede in retromarcia, prestare attenzione alle persone e agli oggetti che si trovano dietro allo scooter.

- Guida

Una volta seduti sullo scooter e dopo averlo acceso come descritto, stringere le impugnature con entrambe le mani, posizionare le dita in modo da premere la leva di controllo della velocità nella direzione necessaria.

AZIONE DI SPINTA CON LA MANO DESTRA = MARCIA IN AVANTI
AZIONE DI SPINTA CON LA MANO SINISTRA = RETROMARCIA

Se si utilizza lo scooter in un ambiente interno, non impostare la velocità più elevata.

- Guida sul marciapiede

Se si utilizza lo scooter sul marciapiede, assicurarsi di avere impostato il limite. La velocità massima consentita sul marciapiede dipende da paese a paese. Verificare con la legge in vigore nel paese in questione.

Per marcia su strada o in aree private, è possibile impostare la velocità più elevata.

- Arresto

Per frenare, rilasciare la leva di guida/controllo velocità che tornerà in posizione neutra. Rallentare quindi lo scooter fino a un arresto graduale. Provare a frenare e a fermarsi più volte fino ad acquisire sicurezza nell'esecuzione di queste operazioni. È necessario essere in grado di prevedere il comportamento dello scooter in fase di marcia o frenata.

Non spegnere lo scooter in fase di marcia, questo determinerebbe un arresto di emergenza con rischio di incidenti o lesioni.

- Guida in prossimità di angoli o curve

⚠ AVVERTENZA: rischio di ribaltamento - Ridurre la velocità in prossimità di curve o angoli.

⚠ AVVERTENZA: rischio di schiacciamento - Mantenere sempre una distanza adeguata dagli angoli o dagli ostacoli.

⚠ AVVERTENZA: rischio di ribaltamento - Non procedere seguendo un percorso a "S" o compiendo svolte improvvise.

In prossimità di angoli o svolte, utilizzare entrambe le mani per muovere l'impugnatura nella direzione desiderata. Le ruote anteriori ruoteranno di conseguenza e lo scooter avanzerà nella nuova direzione desiderata. È molto importante assicurarsi che vi sia spazio a sufficienza per consentire la marcia in prossimità di angoli o curve. Si consiglia di affrontare i passaggi stretti impostando curve ampie in modo da poter attraversare il punto più stretto con lo scooter il più possibile dritto. Ricordare che nella maggior parte dei casi, la parte posteriore dello scooter è più larga di quella anteriore.

Non impegnare curve o angoli con un percorso in diagonale. Se si tenta di 'tagliare l'angolo', è possibile che le ruote posteriori incorrano in ostacoli e che lo scooter si destabilizzi.

2.7.5 Retromarcia

⚠ AVVERTENZA: controllare lo scooter - Familiarizzare con il comportamento dello scooter in fase di marcia.

⚠ AVVERTENZA: controllare la velocità - In fase di retromarcia, procedere sempre alla velocità minima.

⚠ AVVERTENZA: rischio di collisione - Durante la retromarcia, guardare sempre indietro.

La guida in retromarcia richiede maggiore attenzione e concentrazione (AZIONE CON LA MANO SINISTRA). Per questo motivo la velocità degli spostamenti in retromarcia è stata ridotta notevolmente rispetto a quella della marcia in avanti. Tuttavia, durante la retromarcia è sempre preferibile impostare la leva per il controllo della velocità sul minimo.

Tenere presente che la direzione della sterzata in retromarcia è l'opposto rispetto alla marcia in avanti e che lo scooter svolterà direttamente nella direzione desiderata.

2.7.6 Marcia in salita

⚠ AVVERTENZA: controllare lo scooter - Familiarizzare con il comportamento dello scooter in fase di marcia.

⚠ AVVERTENZA: controllare lo scooter - Non impostare mai il folle se lo scooter si trova su una pendenza.

⚠ AVVERTENZA: Controllare la velocità - Sulle pendenze marciare alla velocità appropriata.

⚠ AVVERTENZA: rischio di ribaltamento - Non superare il grado massimo di stabilità statica in salita. Vedere il paragrafo "Specifiche tecniche".

⚠ AVVERTENZA: Non fare mai retromarcia in salita.

Posizione seduta per le salite

- Regolare la profondità del sedile e l'angolazione dello schienale, in modo da sedersi in posizione frontale, vedi paragrafo §**Error! Reference source not found.** e §**Error! Reference source not found.** per le regolazioni.
- Affrontare sempre le salite frontalmente.

Per evitare il rischio di ribaltamento, accertarsi che tutte le quattro ruote siano sempre a contatto con il suolo (rampe, passi carrai, ecc.). Mentre si supera una pendenza, inclinarsi sempre in avanti. La marcia dello scooter è controllata tramite un differenziale. Pertanto, entrambe le ruote motrici devono sempre essere a contatto con il suolo. Se una delle ruote motrici non è a contatto con il suolo, l'alimentazione alle ruote verrà interrotta tramite il dispositivo di sicurezza e lo scooter si fermerà.

Se ci si ferma su una pendenza rilasciando l'acceleratore, il freno a motore impedirà allo scooter di scivolare all'indietro. Il freno a motore viene attivato non appena l'acceleratore torna in posizione neutra. Per riprendere la marcia in salita, spingere l'acceleratore in avanti il più possibile per garantire una potenza di spinta sufficiente. Questa operazione consentirà allo scooter di riprendere lentamente la marcia in salita.

Se lo scooter non è in grado di affrontare la salita, aumentare la velocità tramite l'apposito controllo e riprovare.

Quando si guida su un percorso inclinato l'indicatore della batteria può oscillare. Si tratta di un fenomeno normale.

2.7.7 Marcia in discesa

- ⚠ AVVERTENZA:** controllare lo scooter - Familiarizzare con il comportamento dello scooter in fase di marcia.
- ⚠ AVVERTENZA:** controllare lo scooter - Non impostare mai il folle se lo scooter si trova su una pendenza.
- ⚠ AVVERTENZA:** controllare la velocità - Spostarsi sulle pendenze il più lentamente possibile.
- ⚠ AVVERTENZA:** rischio di ribaltamento - Evitare curve molto strette.
- ⚠ AVVERTENZA:** rischio di ribaltamento - Non superare il gradiente massimo di stabilità statica in discesa. Vedere il paragrafo "Specifiche tecniche".

Posizione seduta per le discese

- Regolare la profondità del sedile a l'angolazione dello schienale, in modo da sedersi più all'indietro possibile, vedi paragrafo §**Error! Reference source not found.** e §**Error! Reference source not found.** per le regolazioni.
- Affrontare sempre le salite frontalmente restando all'indietro.

La marcia in direzione trasversale potrebbe determinare la perdita di contatto con il suolo di una o più ruote con conseguente rischio di ribaltamento. Se una delle ruote posteriori perde il contatto con il suolo, l'alimentazione alle ruote verrà interrotta e lo scooter si fermerà.

Il peso dello scooter determina un aumento della velocità in discesa. Regolare il controllo della velocità in base alle condizioni di guida.

Evitare curve molto strette durante una discesa. Il peso dello scooter potrebbe causare il sollevamento di uno dei lati o il ribaltamento in curva.

2.8 Guida dello scooter sulle rampe

- ⚠ AVVERTENZA:** Rischio di lesioni - Non superare il carico massimo sulle rampe.
- ⚠ AVVERTENZA:** Rischio di lesioni - Per evitare danni o lesioni, scegliere il modello di rampe appropriato.
- ⚠ AVVERTENZA:** rischio di lesioni - Si noti che il peso considerevole dello scooter elettrico determina una notevole forza di spinta all'indietro durante la marcia sulle rampe con l'assistenza di un assistente.
- ⚠ AVVERTENZA:** Rischio di lesioni - Accertarsi che l'altezza delle ruote sia sufficiente per superare il dislivello iniziale della rampa. Evitare il contatto del telaio dello scooter con la rampa.

Se per superare un ostacolo si utilizza una rampa, osservare le seguenti precauzioni:

1. Verificare il carico massimo stabilito dal produttore per l'utilizzo di rampe.
2. Percorrere le rampe alla velocità minima necessaria.
3. Consultare le istruzioni incluse nel capitolo "Il primo viaggio".

2.9 Guida dello scooter oltre gli ostacoli

⚠ AVVERTENZA: Rischio di lesioni dovute a movimenti imprevisti

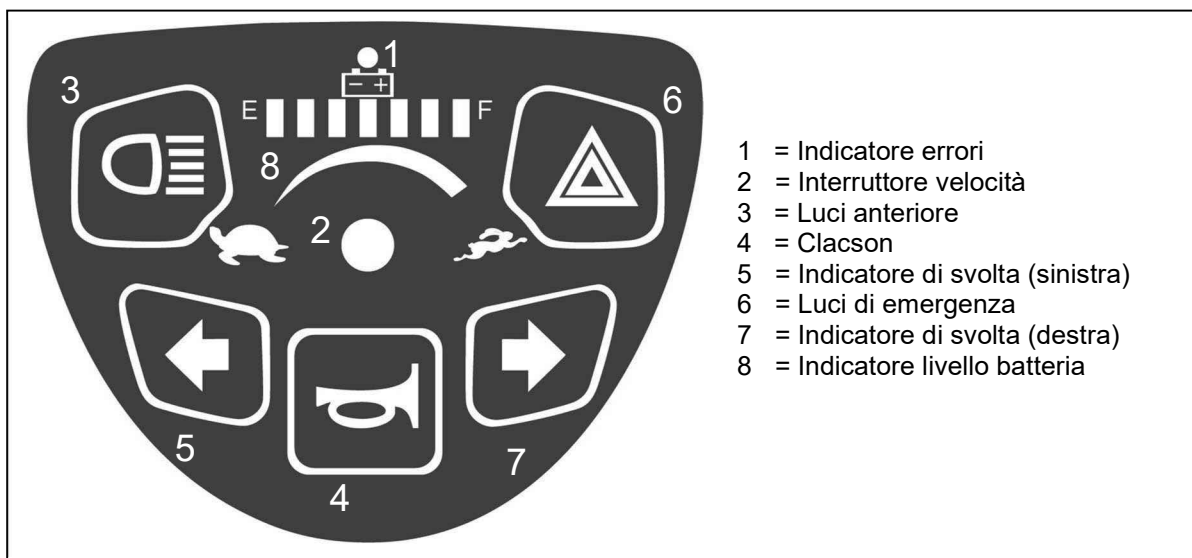
- Non utilizzare lo scooter sulle scale mobili.
- **NON** guidare su superfici inclinate, ostacoli, gradini o cordoli di dimensioni superiori a quelle indicate nelle caratteristiche tecniche al capitolo §Error! Reference source not found..
- Avvicinarsi ai cordoli sempre dal lato anteriore.
- Quando si guida in salita o in discesa, accertarsi che tutte le ruote siano a contatto con il suolo.

⚠ ATTENZIONE: Rischio di danni

Se necessario prendere una piccola rincorsa per accelerare lo scooter allo scopo di superare l'ostacolo o il cordolo. Evitare tuttavia di sottoporre se stessi o lo scooter a un grande rinculo.

2.10 Unità di comando

- Posizionare la chiave dell'interruttore ON/OFF in posizione ON, attendere almeno 3 secondi prima di premere la leva della velocità altrimenti comparirà l'allarme di "protezione ritardo".
- L'indicatore di livello della batteria ⑧ si accenderà mostrando il livello di carica corrente delle batterie.
- Regolare il controllo della velocità ② sulla velocità di guida desiderata.
- Spingere la leva della velocità con le dita all'indietro (leva destra per marcia in avanti, leva sinistra per retromarcia).
- Per suonare il clacson, premere il pulsante apposito ④.
- Per accendere le luci anteriori e posteriori, premere il pulsante delle luci ③.
- Per accendere i lampeggianti di emergenza, premere il pulsante ⑥.
- Per accendere gli indicatori luminosi di svolta, premere il pulsante desiderato ⑤ e ⑦ (sinistra = indicatore sinistro, destra = indicatore destro).
- Per arrestare lo scooter rilasciare la leva della velocità sotto all'unità di comando.



Vermeiren è responsabile per le modifiche al software. Per modifiche al software contattare Vermeiren.

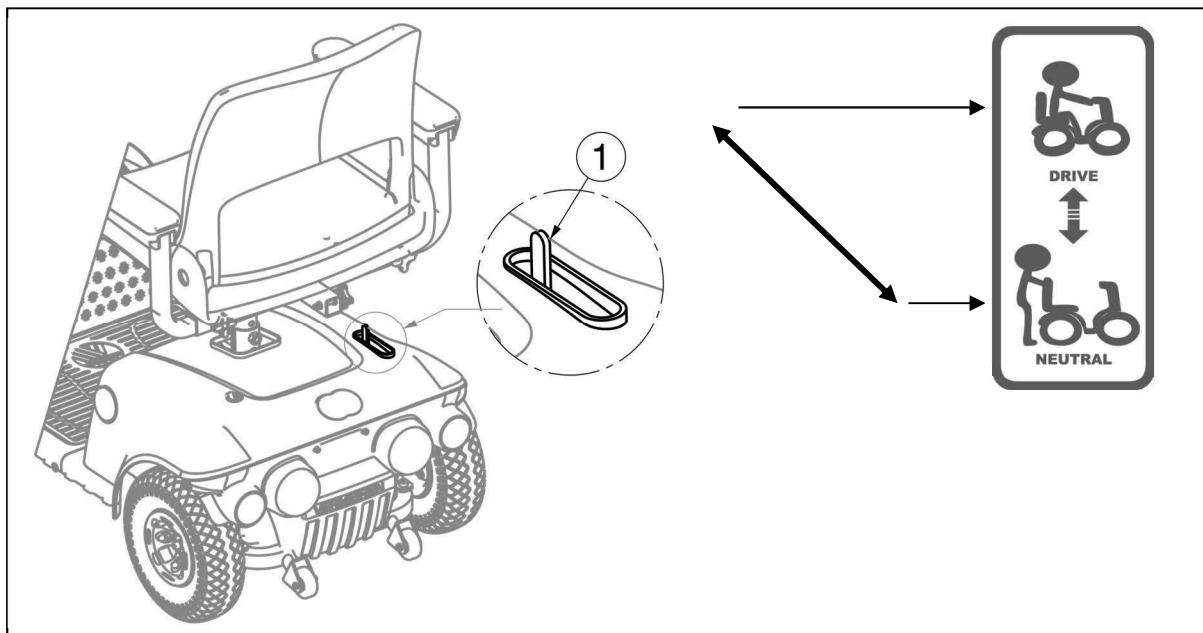
2.11 Marcia in folle

- ⚠ **AVVERTENZA:** controllare lo scooter - Non impostare mai la marcia in folle se lo scooter è in fase di marcia
- ⚠ **AVVERTENZA:** controllare lo scooter - Non impostare mai il folle se lo scooter si trova su una pendenza. Potrebbe muoversi in modo imprevisto.
- ⚠ **AVVERTENZA:** rischio di lesioni - Non avviare la guida elettronica prima di arrestare il motore per impedirne il surriscaldamento.

Lo scooter è dotato di un dispositivo per la modalità di scorrimento libero accessibile e manovrabile da un assistente o dal paziente quando non è seduto nello scooter. Utilizzare lo scorrimento libero solo per spostare lo scooter o per allontanarlo da un'area pericolosa.

Impostare la marcia in folle per lo scooter utilizzando la leva di arresto del motore ① collocata sulla parte posteriore dello scooter.

- Guida
 1. Posizionare la leva di arresto del motore ① sulla funzione di guida. In questo modo le marce a motore verranno inserite.
 2. Posizionare la chiave dell'interruttore ON/OFF su ON.
 3. A questo punto è possibile controllare la marcia in modo elettronico.
- Marcia in folle
 1. Posizionare la chiave dell'interruttore ON/OFF su OFF.
 2. Posizionare la leva di arresto del motore ① sulla marcia in folle (vedi etichetta). Le marce a motore verranno disinserite.
 3. A questo punto sarà possibile spingere lo scooter senza controllare la marcia in modo elettronico.








2.12 Trasporto

2.12.1 In aereo

i Se lo scooter è equipaggiato con batterie AGM a tenuta stagna, è possibile trasportarlo in aereo. Consultare la compagnia aerea per verificare la procedura d'imbarco dello scooter.

Prima di imbarcare lo scooter è necessario disconnettere o rimuovere le batterie. Vedere paragrafo §**Error! Reference source not found.** per la sostituzione delle batterie.

2.12.2 In auto

-  **PERICOLO:** rischio di lesioni - Non è consentito utilizzare lo scooter in sostituzione degli appositi seggiolini per il trasporto in auto come dal seguente simbolo.
-  **AVVERTENZA:** rischio di lesioni - Prima del trasporto, rimuovere le parti mobili.
-  **AVVERTENZA:** rischio di lesioni - Assicurarsi che sotto lo scooter, sul poggiatesta o sul sedile non siano presenti persone o oggetti durante il trasporto.
-  **AVVERTENZA:** rischio di lesioni - Controllare che lo scooter sia fissato saldamente modo da evitare lesioni ai passeggeri in caso d'urto o di frenate improvvise.
-  **AVVERTENZA:** rischio di pizzicamento - Non infilare le dita tra i componenti dello scooter.



Il modo migliore per caricare lo scooter nell'auto è guidarlo all'interno del veicolo tramite le apposite rampe.

Se non ci si sente sicuri nella guida sulle rampe, è anche possibile impostare la modalità a scorrimento libero e spingere lo scooter all'interno dell'auto utilizzando le rampe.


Se lo scooter è troppo grande per poter essere collocato all'interno dell'auto, è anche possibile trasportarlo seguendo questi passaggi:

1. Prima del trasporto, rimuovere tutte le parti mobili (sedile, ecc.).
2. Riporre le parti in un luogo sicuro.
3. Se possibile, rimuovere le batterie o gli alloggiamenti delle batterie per alleggerire il veicolo.
4. Ripiegare l'unità di comando verso il basso tramite la regolazione di angolazione.
5. Collocare lo scooter nell'auto con l'assistenza di 2 o 3 persone.
6. Fissare saldamente il telaio dello scooter al veicolo.

2.13 Spegnimento automatico

Per evitare un accidentale scaricamento della batteria, lo scooter è dotato di una funzione di spegnimento automatico. Se lo scooter è inutilizzato, si spegne automaticamente. Se lo spegnimento automatico entra in funzione, spegnere e quindi riaccendere lo scooter. Sarà nuovamente pronto per l'uso.

2.14 Carica della batteria

-  **AVVERTENZA** Rischio di lesioni e di danni da incendio
 - Utilizzare esclusivamente la batteria / le batterie e il caricabatterie forniti con il prodotto. L'uso di qualunque altra batteria o caricabatterie può essere pericoloso (pericolo di incendio). Per un'eventuale sostituzione, rivolgersi al proprio rivenditore specializzato.
 - Non aprire o modificare in alcun caso la batteria, il caricabatterie, i cavi o gli spinotti, e non modificare alcun punto di collegamento!
 - Il caricabatterie è studiato unicamente per caricare la batteria / le batterie fornite con lo scooter, e nessun'altra.
 - Proteggere la batteria e il caricabatterie da fiamme, temperature elevate (> 50 °C), umidità, luce solare diretta e forti urti (dovuti ad esempio a cadute). NON utilizzare la batteria se è stata esposta a tali condizioni.
 - Caricare la batteria con il caricabatterie fornito; eseguire l'operazione al coperto, in un'area ben ventilata e fuori dalla portata dei bambini.
 - Non utilizzare alcuna prolunga per la ricarica.

-  **ATTENZIONE** Rischio di lesioni

La durata delle batterie è minore o maggiore a seconda delle condizioni di utilizzo, del terreno e di guida.

Quando si pianifica un tragitto, tenere conto dello stato di carica della batteria. Prestare attenzione all'autonomia della batteria; vedere i dettagli tecnici riportati nel §1.3.

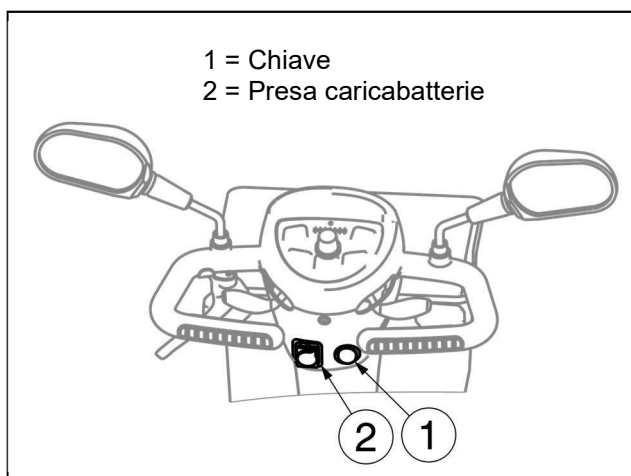
⚠ ATTENZIONE Rischio di danni alla batteria e/o di riduzione della sua durata

- Leggere il manuale di istruzioni del caricabatterie e osservare le relative linee guida per la sicurezza.
- In caso di rimessaggio prolungato dello scooter, si consiglia di ricaricare la batteria con regolarità (circa una volta al mese).
- Non interrompere il ciclo di ricarica, ma attendere che il caricabatterie segnali che la batteria è completamente carica; vedere il manuale di istruzioni del caricabatterie. Evitare la ricarica per brevi periodi. Nota: tale indicazione NON vale per le batterie al litio.
- Se la si scarica completamente, la batteria può danneggiarsi irreparabilmente. Accertarsi pertanto che la batteria venga ricaricata per tempo.
- La durata si riduce se la batteria viene esposta a condizioni di freddo estremo per un periodo di tempo più prolungato; vedere anche i dettagli tecnici riportati nel §1.3.
- Accertarsi che tutti i punti di collegamento presenti sulla batteria e quello situato nel suo alloggiamento non siano arrugginiti o contaminati in altro modo.
- Proteggere la batteria dalle fonti di radiazioni elettromagnetiche intense.

Ricaricare completamente le batterie nuove prima del primo utilizzo.

I LED dell'unità di comando indicano la carica residua delle batterie. Se il caricabatterie è acceso e non si accende nessun LED, controllare il fusibile. Se il LED rosso non si illumina questo indica che il caricabatterie è difettoso, consultare il rivenditore autorizzato.

1. Spegnerlo scooter.
2. Collegare ANZITUTTO il caricabatterie a una presa elettrica a 230 V c.a.
3. Sollevare lo sportellino di protezione della presa per la ricarica.
4. Collegare il caricabatterie alla batteria.
5. Per la spiegazione degli indicatori presenti sul caricabatterie, fare riferimento al suo manuale.
6. Quando la batteria è completamente carica, scollegarla dal caricabatterie.
7. Scollegare il caricabatterie dalla presa, lasciarlo raffreddare e riporlo in un luogo asciutto.
8. Accendere lo scooter e verificare che tutte le luci dell'indicatore di stato della batteria siano illuminate.



i In caso di problemi che impediscano di caricare la batteria secondo le istruzioni riportate nel manuale del caricabatterie, rivolgersi al proprio rivenditore specializzato.

Quando la console di comando visualizza il codice di errore "Blocco della guida" dopo la ricarica, verificare che il caricabatterie sia scollegato. Questa misura di sicurezza evita di mettersi in movimento con il caricabatterie ancora collegato alla rete elettrica.

3 Installazione e regolazione

Le istruzioni contenute nel presente capitolo sono destinate all'utilizzatore e al rivenditore.

Per individuare il centro assistenza o il rivenditore specializzato più vicino, contattare il centro Vermeiren. Nell'ultima pagina del manuale, è disponibile un elenco di centri Vermeiren autorizzati.

- ⚠ AVVERTENZA: rischio di regolazioni non sicure - Utilizzare solo le regolazioni descritte in questo manuale.**
- ⚠ AVVERTENZA: rischio di ribaltamento - La variazione delle regolazioni consigliate può modificare la stabilità dello scooter con rischio di ribaltamento laterale o all'indietro.**

3.1 Attrezzi

Per montare lo scooter sono necessari i seguenti strumenti.

- Set di chiavi n° 13, 17
- Chiavi a brugola n° 6

3.2 Modalità di consegna

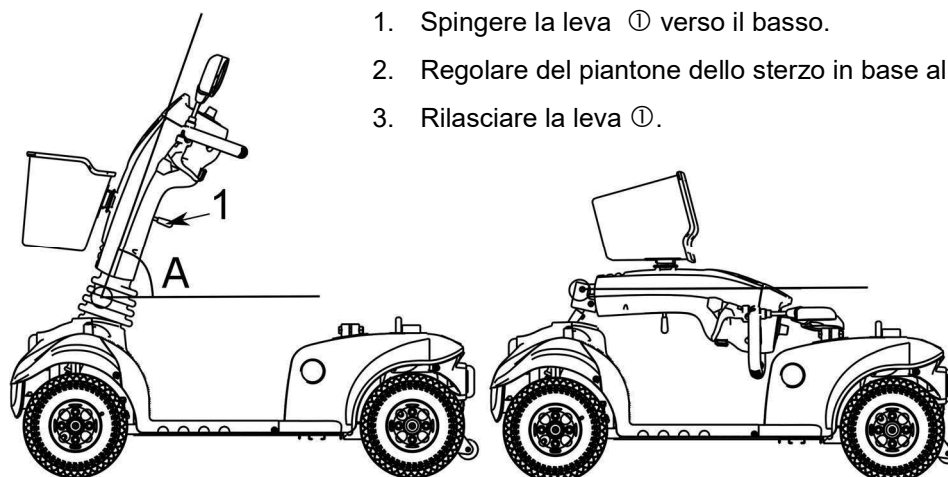
Lo scooter viene distribuito con:

- 1 telaio con braccioli, unità di comando, ruote anteriori e posteriori
- Pedana
- Sedile + schienale
- Batterie (2x), motore
- Cestello
- Specchietti retrovisori (2x)
- Freno di stazionamento
- Caricabatterie
- Accessori
- Manuale

3.3 Regolazione del piantone dello sterzo

Del piantone può essere regolata in diverse posizioni in base alle esigenze dell'utente. L'inclinazione (A) può essere regolata da 0° (in orizzontale, senza sedile) a 80° (posizione più eretta).

- ⚠ AVVERTENZA: rischio di lesioni - Non regolare mai l'inclinazione durante la marcia.**
- ⚠ AVVERTENZA: Rischio di lesioni - Prima di regolare l'inclinazione del piantone, spegnere lo scooter.**
- ⚠ AVVERTENZA: Rischio di lesioni - Non appoggiarsi con tutto il peso del corpo allo sterzo.**



1. Spingere la leva ① verso il basso.
2. Regolare del piantone dello sterzo in base alle esigenze.
3. Rilasciare la leva ①.

3.4 Regolazione del sedile

- ⚠ AVVERTENZA:** rischio di lesioni - Non effettuare mai alcuna regolazione durante la marcia.
- ⚠ AVVERTENZA:** rischio di lesioni - Accertarsi che il sedile sia fissato saldamente.

Rimozione del sedile (Fig. A)

1. Tirare la leva del sedile ① verso l'alto.
2. Girare leggermente il sedile ② ed alzarlo fino alla barra di regolazione ⑤.
3. Rilasciare la leva del sedile ①.

Riposizionamento del sedile (Fig. A)

1. Tirare la leva del sedile ① verso l'alto.
2. Posizionare il sedile ② sulla barra di regolazione ⑤ e allo stesso tempo mantenere premuta la leva del sedile ①.
3. Rilasciare la leva del sedile ①.
4. Verificare che il sedile sia fissato saldamente.

Sedile girevole (Fig. A)

1. Tirare la leva del sedile ① verso l'alto.
2. Girare il sedile ② nella direzione desiderata.
3. Rilasciare la leva del sedile ①, il sedile si fermerà sempre dopo 20°.
4. Verificare che il sedile sia fissato saldamente.

Regolazione profondità (Fig. A)

1. Tirare la leva di regolazione profondità ③ verso l'esterno.
2. Spostare il sedile ② in avanti o indietro lungo le guide per la regolazione della profondità ④.
3. Per bloccare il sedile, rilasciare la leva ③ quando il sedile ② si trova nella posizione desiderata.
4. Continuare a ruotare il sedile fino a bloccarlo in posizione.
5. Accertarsi che il sedile sia fissato saldamente.

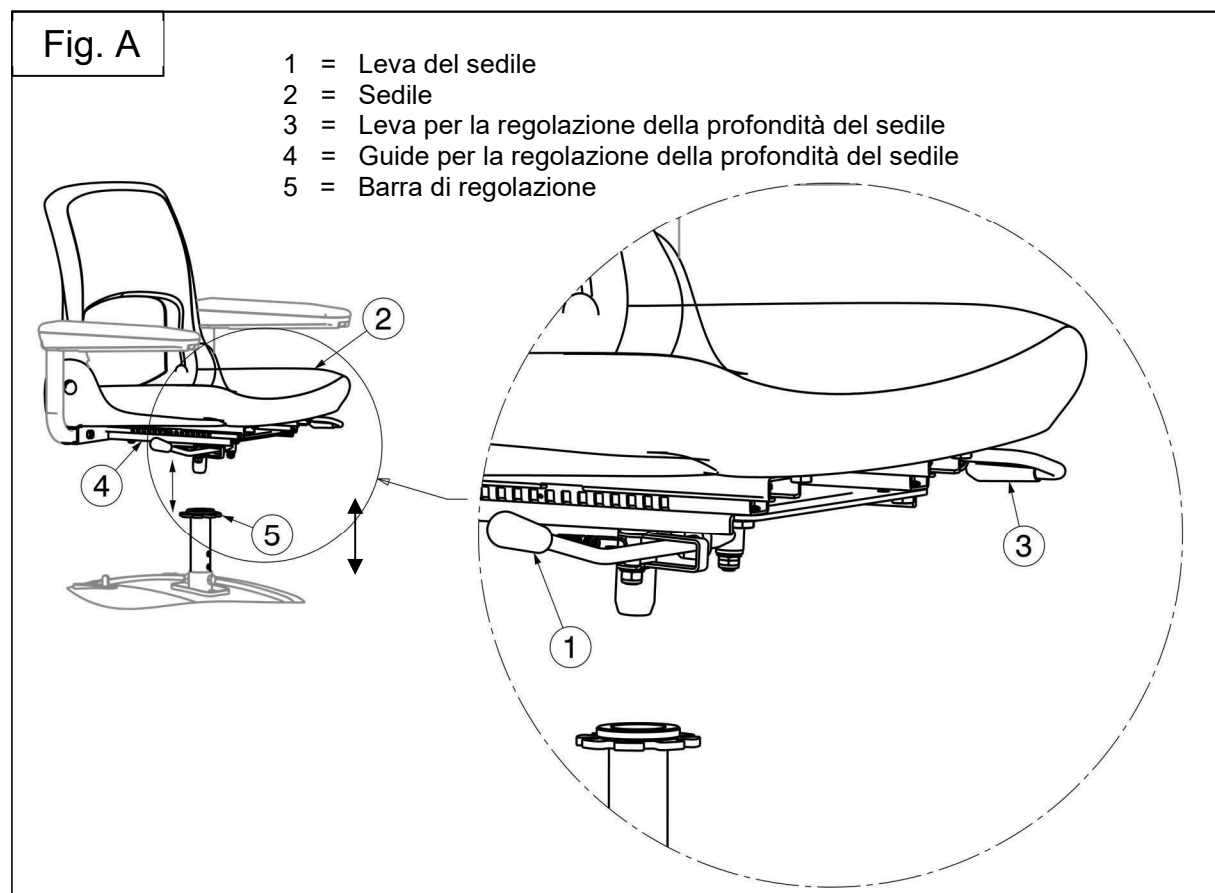
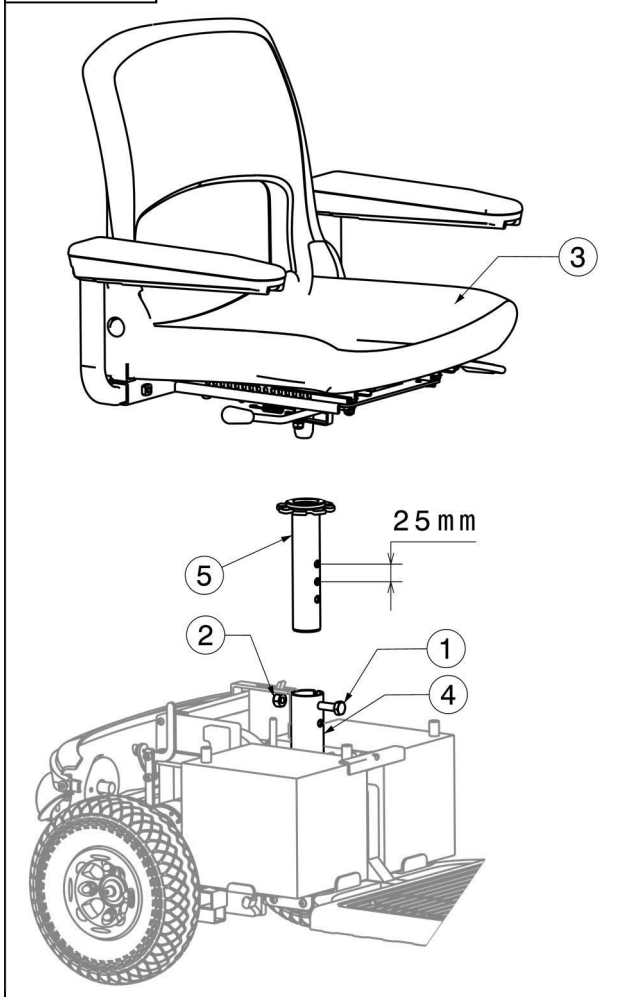


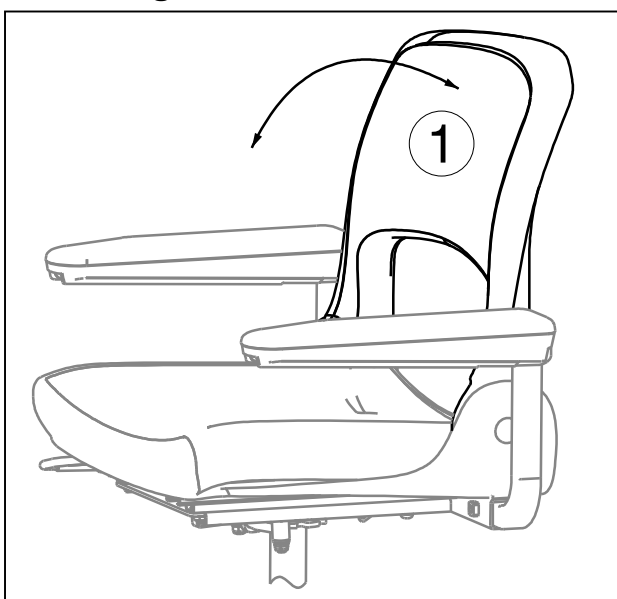
Fig. B



Regolazione dell'altezza del sedile (Fig. B)
Il sedile può essere regolato in 3 altezze diverse (incrementi: 25 mm).

1. Rimuovere il sedile ③ e il coperchio della batteria.
2. Rimuovere il bullone ① e il dado ②.
3. Spostare la barra di regolazione ⑤ in su e in giù ④, fino a posizionarla all'altezza desiderata.
4. Serrare il bullone ① e il dado ②.
5. Sostituire il sedile ③ e il coperchio della batteria.
6. Accertarsi che il sedile ③ sia fissato saldamente.

3.5 Piegare lo schienale

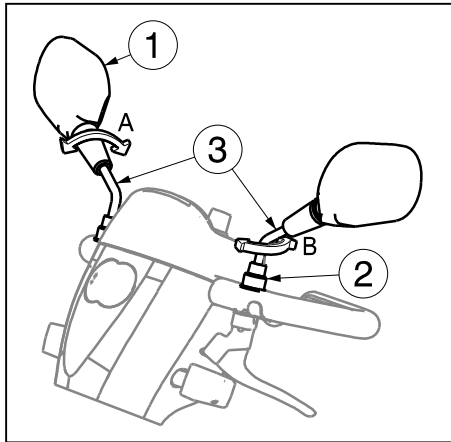


⚠ AVVERTENZA: rischio di lesioni - Non effettuare mai alcuna regolazione durante la marcia.

Spingere lo schienale in avanti ① per piegarlo.
Tirate lo schienale ① verso la parte posteriore per riposizionarlo.

3.6 Regolazione degli specchietti retrovisori

Gli specchietti retrovisori possono essere regolati secondo le due modalità indicate di seguito.



Regolazione 1 (freccia A):

1. Impugnare lo specchietto retrovisore ①.
2. Ruotare lo specchietto retrovisore ① fino a raggiungere la posizione desiderata.

Oppure

Regolazione 2 (freccia B):

1. Sollevare il cappuccio ② verso l'alto.
2. Allentare la vite dello specchietto retrovisore .
3. Impugnare delicatamente il profilato tubolare ③.
4. Ruotare il profilato tubolare ③ e regolare lo specchietto ① nella posizione desiderata.

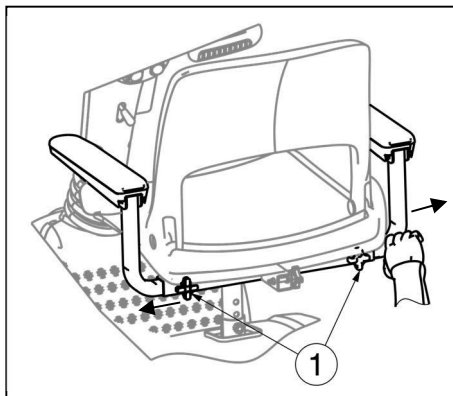
3.7 Regolazione dei braccioli

⚠ ATTENZIONE: rischio di ribaltamento - Assicurarsi che i braccioli siano fissati simmetricamente rispetto al sedile.

⚠ ATTENZIONE: Rischio di lesioni - Montare il profilato tubolare interno sempre con una distanza di sicurezza di 50 mm rispetto al profilato tubolare esterno.

È possibile regolare la larghezza dei braccioli.

3.7.1 Regolazione della larghezza dei braccioli



1. Rimuovere la manopola a stella ① sulla parte posteriore dello scooter.
2. Impugnare il profilato tubolare quadrato interno come mostrato nell'illustrazione.
3. Muovere i profilati tubolari quadrati fino a raggiungere la larghezza desiderata (intervallo 100 mm per ciascun lato:
4. Stringere nuovamente la manopola a stella ①.
5. Verificare che il bracciolo sia fissato saldamente.

3.8 Sostituzione degli pneumatici

⚠ ATTENZIONE: Prima di rimuovere il copertone, sgonfiare la camera d'aria.

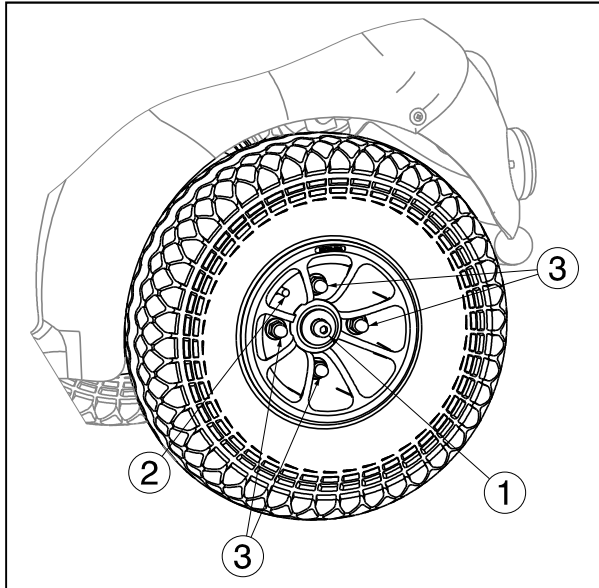
⚠ ATTENZIONE: rischio di danneggiamento - Se maneggiato in modo scorretto, il cerchione della ruota potrebbe danneggiarsi.

Prima di installare la nuova camera d'aria tenere presente quanto segue:

Verificare che sulla superficie del cerchione e sulla parete interna del copertone non siano presenti corpi estranei e se necessario, pulire accuratamente. Verificare lo stato della superficie del cerchione, soprattutto in corrispondenza del foro della valvola. Utilizzare esclusivamente ricambi originali. La garanzia decade in caso di danni provocati dall'uso di ricambi non originali. Contattare il rivenditore specializzato.

Montaggio:

- ⚠ **AVVERTENZA:** rischio di lesioni - Verificare che la pressione sia corretta.
- ⚠ **ATTENZIONE:** rischio di lesioni - Accertarsi che oggetti o parti del corpo non rimangano impigliati tra il copertone e il cerchione durante il montaggio.
- ⚠ **AVVERTENZA:** rischio di lesioni - Prima di utilizzare lo scooter, assicurarsi che tutte le viti siano serrate saldamente in modo manuale. Il collante per le viti, ad esempio Loctite, deve essere applicato lungo la flangia. Il collante funzionerà solo se sulla filettatura della vite non è presente grasso o polvere.



SMONTAGGIO

1. Svitare e rimuovere la vite che sta in mezzo ① che fissa la ruota e la flangia allo scooter.
2. Sfiatare il copertone premendo delicatamente l'otturatore mobile a spillo della valvola ②.
3. Svitare le 4 viti ③ all'interno del cerchione. Separare le due parti del cerchione.

MONTAGGIO

Inserire la camera d'aria parzialmente gonfiata nel copertone.

1. Collegare i due lati del cerchione, attraverso i copertoni e posizionare la flangia contro il copertone e fissarlo stringendo le 4 viti ③.
2. Far passare la valvola ② attraverso il foro apposito sul cerchione.
3. Posizionare la ruota e la flangia sullo scooter e bloccarla stringendo la vite in mezzo ①. Gonfiare lo pneumatico rispettando i valori di pressione consigliata.

Controllare entrambi i lati per accertarsi che la camera d'aria non rimanga impigliata tra il cerchione e il bordo del copertone. Spingere delicatamente la valvola verso l'interno e tirala nuovamente verso l'esterno in modo da trovare la posizione ideale per il copertone attorno alla valvola.

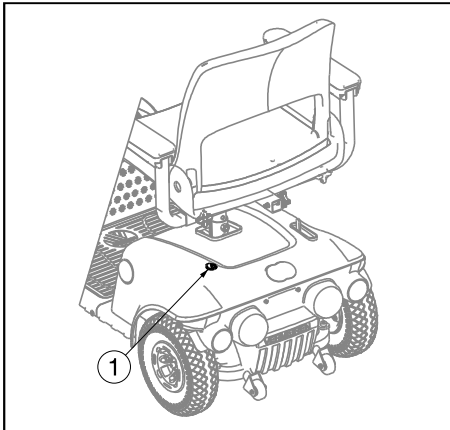
Per accertarsi che la ruota sia gonfiata correttamente, inizialmente immettere solo una piccola quantità d'aria in modo che sia possibile spingere facilmente il copertone verso l'interno con le dita. Se le linee di controllo sono equidistanti dal bordo del cerchione sui due lati del copertone, significa che il copertone è centrato correttamente. In caso contrario, far uscire l'aria e ripetere l'operazione. A questo punto, è possibile gonfiare lo pneumatico con la pressione massima prestando attenzione a non superare il limite di gonfiaggio. Al termine dell'operazione richiudere la valvola.

Il montaggio corretto può essere garantito solo da personale esperto. La garanzia decade in caso di montaggio improprio e non effettuato dal rivenditore specializzato.

Durante il gonfiaggio, verificare sempre che la pressione sia corretta. Il valore appropriato è indicato sul fianco dello pneumatico.

Utilizzare esclusivamente apparecchiature di gonfiaggio conformi alle normative e con indicazione della pressione in bar. La garanzia decade in caso di danni provocati dall'utilizzo di apparecchiature di gonfiaggio fornite da terze parti.

3.9 Fusibili termici

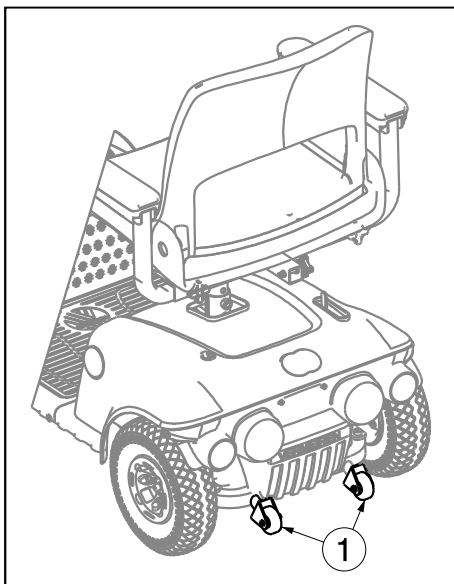


Per proteggere il motore da sovraccarichi, lo scooter è dotato di un meccanismo termico di sicurezza ① collocato sul retro del veicolo. Questo meccanismo regola l'arresto automatico del motore per impedirne il surriscaldamento e di conseguenza danni, usura o rotture anzitempo. È possibile accedere al meccanismo tramite una fessura sul retro del rivestimento sintetico.

Il dispositivo termico di sicurezza potrebbe sganciarsi se si affrontano salite o discese con pendenza superiore al gradiente massimo indicato. Lo stesso problema potrebbe verificarsi nel caso di carichi nominali superiori ai valori massimi consentiti. In modo analogo, la guida prolungata con il freno a motore azionato può determinare sovraccarichi. I valori massimi consentiti sono indicati nel capitolo "Specifiche tecniche" del rispettivo manuale.

Per poter utilizzare nuovamente lo scooter, eliminare il sovraccarico e attendere il raffreddamento del motore. Riposizionare quindi delicatamente il meccanismo termico di sicurezza. Lo scooter è pronto per l'uso.

3.10 Protezione antiribaltamento



Sulla parte posteriore del telaio dello scooter è fissato una protezione antiribaltamento ①. Non è possibile rimuoverlo. Lo scopo della protezione antiribaltamento è garantire la sicurezza del conducente. Il dispositivo evita che lo scooter si ribalti all'indietro quando si superano ostacoli di piccole dimensioni che NON superano l'altezza massima consentita specificata.

3.11 Sostituzione della batteria

- ⚠ **ATTENZIONE:** pericolo di ustioni – Evitare il contatto con l'acido contenuto nelle batterie. Verificare che il vano batteria sia areato adeguatamente.
- ⚠ **ATTENZIONE:** Rischio di danneggiamento – Utilizzare solo batterie a tenuta stagna in sostituzione. Queste hanno l'indicazione “ a tenuta stagna “.

Sostituire entrambe le batterie e non una alla volta.

Sostituire le batterie dello scooter con batterie dello stesso tipo. (Tipo: "**AGM-Absorbed glass mat**").

Il caricabatterie che viene fornito funziona solo con batterie AGM.

Se si utilizzano altre tipologie di batterie è necessario sostituire anche il carica batterie. La garanzia decade in caso di utilizzo improprio di batterie e carica batterie. Per maggiori informazioni su batterie, carica batterie rivolgersi al rivenditore specializzato.

La sostituzione delle batterie deve essere effettuata da personale esperto. I cavi elettrici e il caricatore sono collocati in modo corretto nello scooter. Non cercare di ricollocare i cavi elettrici da soli. Un posizionamento errato dei collegamenti elettrici può provocare uno schiacciamento dei cavi da parte della cassetta della batteria e può determinare un guasto del sistema elettronico dello scooter.

Verificare che i cavi siano collegati alla batteria corretta.

4 Manutenzione

Per il manuale di manutenzione dello scooter consultate il sito web Vermeiren:
<http://www.vermeiren.com/>.

- ⚠ **ATTENZIONE:** Rischio di lesioni e danni
Riparazioni e sostituzioni devono essere eseguite esclusivamente da personale con un'opportuna formazione e utilizzando unicamente ricambi originali Vermeiren.

i La frequenza dell'assistenza dipende dalla frequenza e dall'intensità dell'uso. Concordare con il proprio rivenditore un calendario comune per le attività di ispezione / manutenzione / riparazione. Per quanto concerne la manutenzione, leggere le istruzioni per l'uso del caricabatterie utilizzato.

4.1 Istruzioni per il riutilizzo

4.1.1 Rilascio del prodotto per il riutilizzo

L'ultima pagina di questo manuale, riporta il modulo nel quale il rivenditore deve registrare tutti gli interventi. Questa pagina può anche essere utilizzata per riportare i controlli da effettuare per pulizia, disinfezione e manutenzione. Verificate prima di ogni riutilizzo che la manutenzione sia stata effettuata e registrata, così da rendere lo scooter idoneo per l'utilizzo.

4.1.2 Intervalli di manutenzione

Prima di ciascun utilizzo

Verificare i seguenti punti:

- A Stato delle batterie: ricarica secondo necessità, vedere il §2.14.
 - B Condizioni delle ruote / degli pneumatici: vedere il §**Error! Reference source not found.**
 - C Tutti i componenti: pulizia, vedere il §**Error! Reference source not found.**
 - D Console di comando,
 - E relativi cavi: assenza di danni quali fili sfilacciati, spezzati o esposti.
 - F Ruote, piantone, pannello comandi : assicurarsi che siano ben fissati.
 - G Sedile e schienale: verificare che non siano danneggiati, bucati, strappati. Sostituirli se necessario.
- Rivolgersi al proprio rivenditore specializzato per le riparazioni o i ricambi eventualmente necessari.

Annualmente o con maggiore frequenza

Almeno una volta all'anno, o con maggiore frequenza, richiedere al proprio rivenditore specializzato un intervento di ispezione e manutenzione dello scooter. La frequenza minima di manutenzione dipende dall'uso, e deve pertanto essere concordata con il proprio rivenditore specializzato.

In caso di magazzinaggio

Avere cura di immagazzinare lo scooter in un ambiente asciutto, per evitare la formazione di muffa o danni alla selleria. In caso di rimessaggio prolungato dello scooter, occorre comunque caricare ogni mese le batterie. Per maggiori informazioni, vedere il §2.14.

4.1.3 Ruote e pneumatici

- A Tenere pulite le ruote da fili, capelli, sabbia e fibre.
- B Verificare il profilo degli pneumatici. Se la profondità del battistrada è inferiore a 1 mm, occorre sostituire gli pneumatici. A tale scopo, rivolgersi al proprio rivenditore specializzato.
- C Verificare la pressione di ogni pneumatico. La pressione dipende dal tipo di pneumatico ed il valore è riportato lateralmente sullo stesso.
- D Se gli pneumatici si sgonfiano subito e/o sono visibilmente sgonfi, contattare il rivenditore per la sostituzione.

ATTENZIONE: Rischio di lesioni e danni

Assicurarsi di non superare la pressione massima consigliata durante il gonfiaggio. Verificare i dettagli sul lato dello pneumatico.

4.1.4 Pulizia

ATTENZIONE: Rischio di danni da umidità

Tenere pulita la console di comando e proteggerla dall'acqua e dalla pioggia.

Non pulire lo scooter con manichette o pulitrici ad alta pressione.

Strofinare tutti i componenti rigidi dello scooter con un panno umido (non zuppo). Se necessario, utilizzare un detergente delicato, adatto per smalti e materiali sintetici. È possibile pulire la selleria con acqua tiepida e un detergente delicato. Non utilizzare detersivi abrasivi per la pulizia.

Tenere pulite e libere da accumuli di polvere le aperture di ventilazione del caricabatterie. Rimuovere la polvere soffiandola via e, se necessario, pulire l'involucro del caricabatterie con un panno leggermente inumidito.

4.1.5 Disinfezione

 **ATTENZIONE: Rischio di danni - La disinfezione deve essere eseguita esclusivamente da personale con un'opportuna formazione. Consultare il proprio rivenditore specializzato .**

5 Fine vita

A fine vita, occorre smaltire lo scooter conformemente alla legislazione ambientale locale. Il modo migliore per farlo consiste nello smontare lo scooter per agevolare il trasporto dei componenti riciclabili. Le batterie sono solitamente oggetto di una raccolta separata.

6 Dichiarazione di conformità

Questo prodotto è dotato di certificazione CE ed è classificato come prodotto medico della classe I.

Il marchio CE indica la conformità del prodotto alle norme di protezione della salute, della sicurezza e dell'ambiente in vigore per i prodotti commercializzati nell'area economica europea.

Una copia della dichiarazione di conformità è disponibile tramite il sito Web di Vermeiren, all'indirizzo <http://www.vermeiren.com/>.





Índice

1	Descripción del producto.....	3
1.1	<i>Uso previsto</i>	3
1.2	<i>Instrucciones de seguridad.....</i>	4
1.3	<i>Especificaciones técnicas.....</i>	5
1.4	<i>Accesorios.....</i>	6
1.5	<i>Componentes.....</i>	7
1.6	<i>Placa de identificación de ubicaciones.....</i>	7
1.7	<i>Explicación de los símbolos</i>	8
1.8	<i>Vida útil prevista</i>	8
2	Uso.....	9
2.1	<i>Observaciones sobre compatibilidad electromagnética (EMC)</i>	9
2.2	<i>Transporte del scooter.....</i>	10
2.3	<i>Montaje y desmontaje del scooter.....</i>	10
2.4	<i>Accionamiento de los frenos</i>	11
2.5	<i>Traslado al scooter y desde este.....</i>	11
2.6	<i>Posición correcta en el scooter</i>	12
2.7	<i>Cómo conducir el scooter.....</i>	12
2.8	<i>Conducción del scooter en rampas</i>	15
2.9	<i>Superación de obstáculos</i>	15
2.10	<i>Mando del operador</i>	15
2.11	<i>Punto muerto.....</i>	16
2.12	<i>Transporte</i>	17
2.13	<i>Desconexión automática de la alimentación</i>	18
2.14	<i>Carga de las baterías</i>	18
3	Instalación y ajuste.....	19
3.1	<i>Herramientas.....</i>	19
3.2	<i>Forma de suministro.....</i>	19
3.3	<i>Ajuste de la unidad de la dirección.....</i>	20
3.4	<i>Ajuste del asiento</i>	20
3.5	<i>Plegado del respaldo.....</i>	22
3.6	<i>Ajuste de los espejos retrovisores.....</i>	22
3.7	<i>Ajuste de los reposabrazos</i>	22
3.8	<i>Cambio de los neumáticos</i>	23
3.9	<i>Fusibles térmicos.....</i>	24
3.10	<i>Antivuelco.....</i>	24
3.11	<i>Cambio de la batería</i>	24
4	Mantenimiento.....	25
4.1	<i>Instrucciones de reutilización</i>	25
5	Fin de vida útil.....	26
6	Declaración de conformidad.....	26

Introducción

En primer lugar, nos gustaría agradecerle que haya confiado en nosotros y haya escogido uno de nuestros scooters.

La vida útil de su scooter dependerá en gran medida de los cuidados y el mantenimiento que le dedique.

Este manual le permitirá familiarizarse con el funcionamiento de su scooter.

El seguimiento de las instrucciones para el usuario y de las instrucciones de mantenimiento es parte indispensable de la garantía.

Este manual incluye las mejoras de producto más recientes. Vermeiren se reserva el derecho de introducir cambios sin tener ninguna obligación de adaptar o sustituir los modelos entregados previamente.

Si tiene más preguntas, le rogamos que consulte a su distribuidor especializado.

Información disponible

En nuestro sitio web <http://www.vermeiren.com/> siempre encontrará la versión más reciente de la siguiente información. Consulte la web regularmente, ya que la versión impresa puede estar desactualizada.



- El presente manual
Las personas con discapacidad visual pueden descargarse la versión electrónica del manual y utilizar un software de síntesis de voz para poder oír su contenido.



- Declaración CE de conformidad
Para el usuario y el distribuidor especializado



- Instrucciones para montar y desmontar piezas opcionales
Para el distribuidor especializado



- Manual de mantenimiento
Para el distribuidor especializado

Contacto

Para localizar el servicio técnico o distribuidor especializado más próximo, póngase en contacto con la filial de Vermeiren del país.



1 Descripción del producto

1.1 *Uso previsto*

El scooter está diseñado para transportar cómodamente personas. El scooter está diseñado para transportar 1 persona. No transporte pasajeros en el scooter (incluidos niños).

El scooter se ha diseñado para transportar únicamente a personas adultas; no puede utilizarse para transportar mercancías ni personas menores de 16 años.

No deberían utilizarla personas que sufran limitaciones físicas o mentales evidentes que les impidan manejar con seguridad el scooter entre el tráfico.

No se permite el uso en los siguientes casos:

- hemiplejía y paraplejía
- demencias
- deficiencias visuales

El scooter se ha clasificado como clase B.

El scooter es adecuada para que el ocupante la utilice en el exterior.

En cada caso particular, también se debe tener en cuenta lo siguiente:

- envergadura y peso (máx. 140 kg)
- estado físico y psicológico
- características de la vivienda
- entorno

Utilice el scooter en superficies planas que permitan que las cuatro ruedas estén en contacto con el suelo y donde haya suficiente contacto para propulsar las ruedas por igual.

Practique para poder desplazarse por superficies irregulares (adoquines, etc.), pendientes, curvas y para superar obstáculos (bordillos, etc.).

El scooter no debe usarse como escalera, ni tampoco como medio de transporte para objetos pesados o calientes.

Cuando la utilice en calles o aceras, se aplican las normativas y legislaciones locales.

El scooter puede usarse en aceras o vías urbanas. No debe utilizarse nunca en carreteras ni autopistas.

Utilice solo los accesorios aprobados de Vermeiren.






























El fabricante no asumirá responsabilidad alguna por los daños causados por la falta de mantenimiento, por un mantenimiento inadecuado o si no se siguen las instrucciones indicadas en este manual.

El cumplimiento de las instrucciones para el usuario y de mantenimiento es parte indispensable de las condiciones de la garantía, por lo que le recomendamos que lea las páginas siguientes muy atentamente.

Las personas con deficiencias visuales pueden ponerse en contacto con el distribuidor para obtener las instrucciones de uso.

Nota: Este producto es apto para ser utilizado por distintos usuarios, cuando se ha adquirido a través de un servicio de alquiler. Siga las instrucciones §4.1

1.2 Instrucciones de seguridad

-  Utilice solo accesorios Vermeiren aprobados.
-  Antes de montarse o abandonar el vehículo, o de desmontar o transportar el scooter, gire la llave de contacto a la posición de apagado.
-  Al transportar el scooter, no transporte ninguna persona en ella.
-  Compruebe los efectos que se producen al conducir el scooter cuando se cambia su centro de gravedad, por ejemplo, en pendientes ascendentes o descendentes, terrenos con pendientes laterales o terrenos desiguales.
-  No conduzca por carreteras con mucho tráfico ni por carreteras con barro, gravilla, llenas de baches, estrechas, nevadas, con hielo o caminos que no estén delimitados o protegidos con vallas.
-  Evite los lugares en los que las ruedas pueden estancarse.
-  Evite que la ropa se enrede en las ruedas.
-  Cuando coja objetos que se encuentren delante, al lado o detrás del scooter, tenga cuidado de no inclinarse demasiado hacia los lados: existe riesgo de vuelco.
-  No ponga el scooter en el modo de movimiento libre en pendientes.
-  Nunca suba pendientes en marcha atrás.
-  Reduzca la velocidad cuando gire esquinas.
-  No suba el scooter en escaleras mecánicas.
-  Al circular, sujete las empuñaduras con ambas manos.
-  Durante la conducción, apoye las piernas y los pies en las superficies específicas para ellos.
-  No utilice el scooter con nieve, niebla o viento fuerte.
-  Al almacenar o estacionar el scooter en el exterior, protéjala con una cubierta protectora impermeable.
-  Altos niveles de humedad o condiciones extremadamente frías pueden reducir el rendimiento del scooter.
-  Utilice el scooter siguiendo las normas de manera estricta. Evite pasar por encima de obstáculos (por ejemplo, escalones y bordillos) y dejarse caer por un bordillo.
-  Respete el código de circulación cuando circule por vías públicas. Tenga en cuenta a los demás componentes del tráfico.
-  Al igual que sucede con otros vehículos, no conduzca el scooter bajo los efectos del alcohol. Esto también se aplica a la conducción en espacios interiores.
-  Al circular por el exterior, adapte la conducción a las condiciones climáticas y de tráfico.
-  Cuando circule por la noche, lleve ropa de colores intensos o reflectantes para ser más visible, asegúrese de que los reflectores del scooter sean visibles y conduzca con las luces encendidas.
-  Compruebe que las luces del scooter estén limpias y sin obstrucciones de otros objetos que pudieran ocultarlos.
-  No utilice nunca el scooter como asiento en un coche u otro vehículo.
-  Compruebe que la profundidad de la banda de rodadura de los neumáticos sea la adecuada.
-  Si las ruedas del scooter son neumáticas, hínchelas a la presión correcta (consulte la indicación de presión de los neumáticos) para una dirección y estabilidad óptima del scooter.
-  No se debe sobrepasar la carga máxima permitida para el scooter.
-  No sobrecargue la cesta para la compra. El peso máximo que puede llevar la cesta para la compra es de 5 kg.
-  Se aconseja no utilizar el cable de alimentación y el cable de extensión. Utilice el cargador de baterías directamente a la toma de corriente. Se aconseja no utilizar tomas de corriente con interruptores.

1.3 Especificaciones técnicas

Las especificaciones técnicas indicadas a continuación son válidas para scooters con una configuración estándar y en condiciones medioambientales óptimas. Si se utilizan otros accesorios, los valores serán diferentes. Los cambios en temperatura exterior, humedad, pendientes ascendentes y descendentes, terrenos y el nivel de la batería pueden reducir el rendimiento.

Marca	Vermeiren	
Dirección	Vermeirenplein 1/15, B-2920 Kalmthout	
Tipo	Scooters con tracción trasera, Clase B	
Peso máximo del ocupante	140 kg	
Modelo	Eris	
Descripción	Dimensiones	
Velocidad máxima	6 km/h	10 km/h
Distancia de circulación continua*	35 km (baterías 38 Ah) 45 km (baterías 50 Ah)	29 km (baterías 38 Ah) 37 km (baterías 50 Ah)
Longitud	1185 mm	
Anchura	570 mm	
Altura	1150 mm	
Anchura del asiento	435 mm	
Longitud plegada/desmontada	950 mm	
Anchura plegada/desmontada	570 mm	
Altura plegada/desmontada	600 mm (asiento extraído; unidad de dirección plegada)	
Peso total	75 kg	
Peso de la parte más pesada (que puede desmontarse o quitarse)	57 kg (sin asiento) o 46 kg (sin asiento ni baterías)	
Peso de las partes que pueden desmontarse o quitarse.	Asiento: 11 kg; Baterías: 26,5 kg	
Estabilidad estática en pendientes descendentes	9°	
Estabilidad estática en pendientes ascendentes	9°	
Estabilidad estática lateral	9°	
Estabilidad dinámica	6°	
Pendiente máxima segura	6°	
Separación del suelo	50 mm (antivuelco)	
Superación de obstáculos	75 mm	
Ángulo plano del asiento	6°	
Profundidad útil del asiento	360 mm	
Altura de la superficie del asiento en la parte delantera (medida desde el suelo)	595 mm - 645 mm	
Altura de la superficie del asiento en la parte delantera (medida desde la paleta)	450 mm - 500 mm	
Altura de la paleta	145 mm	
Ángulo del respaldo	25°	
Altura del respaldo	340 mm	
Distancia entre el almohadillas del reposabrazos y el asiento	180 mm	
Ubicación delantera del armazón del reposabrazos	270 mm	
Motor	Potencia nominal de 320 vatios, frenos electromagnéticos	



Marca	Vermeiren	
Dirección	Vermeirenplein 1/15, B-2920 Kalmthout	
Tipo	Scooters con tracción trasera, Clase B	
Peso máximo del ocupante	140 kg	
Modelo	Eris	
Descripción	Dimensiones	
Baterías	38 Ah	50 Ah
Controlador	70 A	
Tensión nominal (batería)	2 x 12V ---	
Grado de protección	IPX4	
Cargador de baterías	6 Amp (externo)	8 Amp (externo)
Conexion USB	No	
Clase de protección del cargador de baterías	IPx1	
Clase de aislamiento del cargador de baterías	II	
Diámetro de giro mínimo	2900 mm	
Anchura de retroceso	2900 mm	
Diámetro de las ruedas traseras (número)	3.00-4 aire (2)	
Presión de los neumáticos, ruedas traseras (de tracción)	Máx. 3,5 bares	
Diámetro de las ruedas de dirección (número)	3.00-4 aire (2)	
Presión de los neumáticos, ruedas de dirección	Máx. 3,5 bares	
Manillar	Palanca de control de velocidad	
Luces	Serie	
Luz indicadora	Serie	
Espejos	Opcional	
Temperatura de almacenamiento y de uso	+5 °C a +40 °C	
Temperatura de operación de los sistemas electrónicos	-10 °C a +40 °C	
Humedad de almacenamiento y de uso	30%	
Probado. Cumple los requisitos de:	ISO 7176-14:2008	
Bajo riesgo de ignición según:	EN1021-2	
<p>Nos reservamos el derecho a aplicar modificaciones técnicas. Tolerancia de la medida ± 15 mm/1,5 kg/1,5°.</p> <p>* La distancia de conducción teórica se reducirá si el scooter se utiliza con frecuencia en pendientes, sobre superficies irregulares o para subir bordillos. Autonomía máxima comprobada de acuerdo al ISO 7176-4 en condiciones óptimas.</p>		

Tabla 1: Especificaciones técnicas

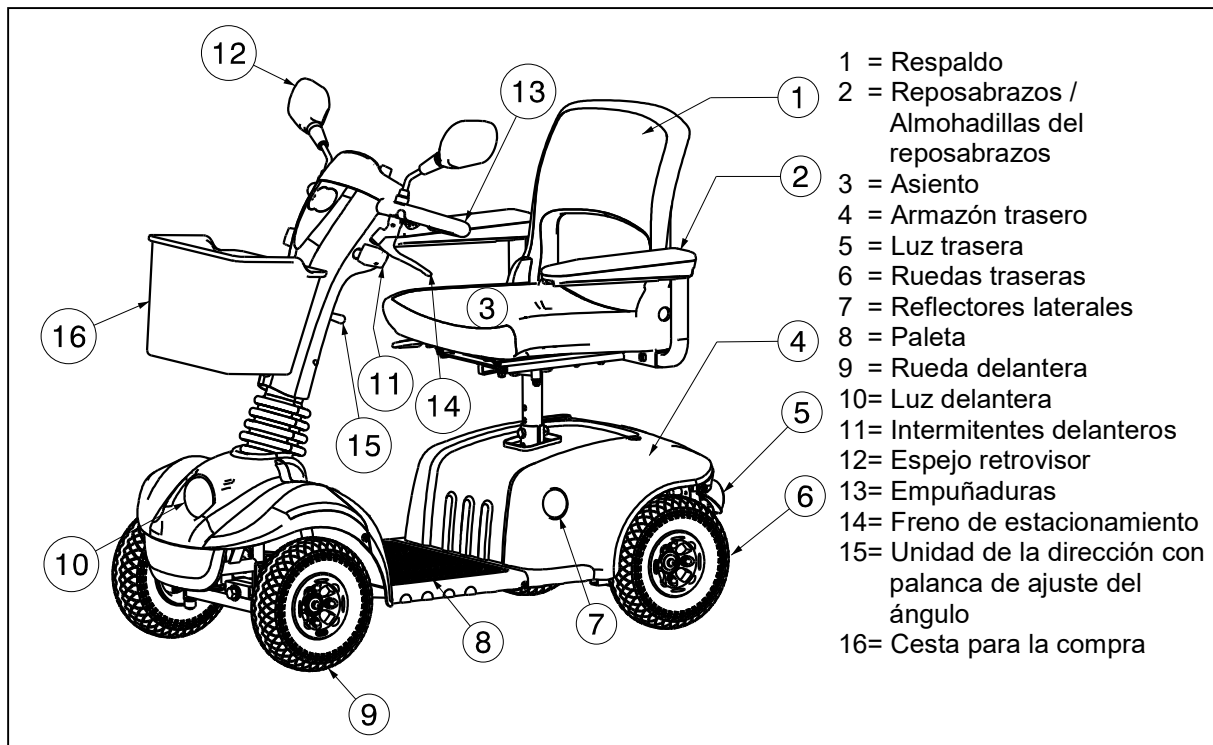
1.4 Accesorios

El scooter Eris cuenta con los siguientes accesorios:

⚠ ADVERTENCIA: Riesgo de lesiones: asegúrese de que las soportes de muletas están bien colocadas y que no pueden caer sobre el usuario.

- Soporte de muletas
- Scooterpac
- Baúl
- Soporte del andador

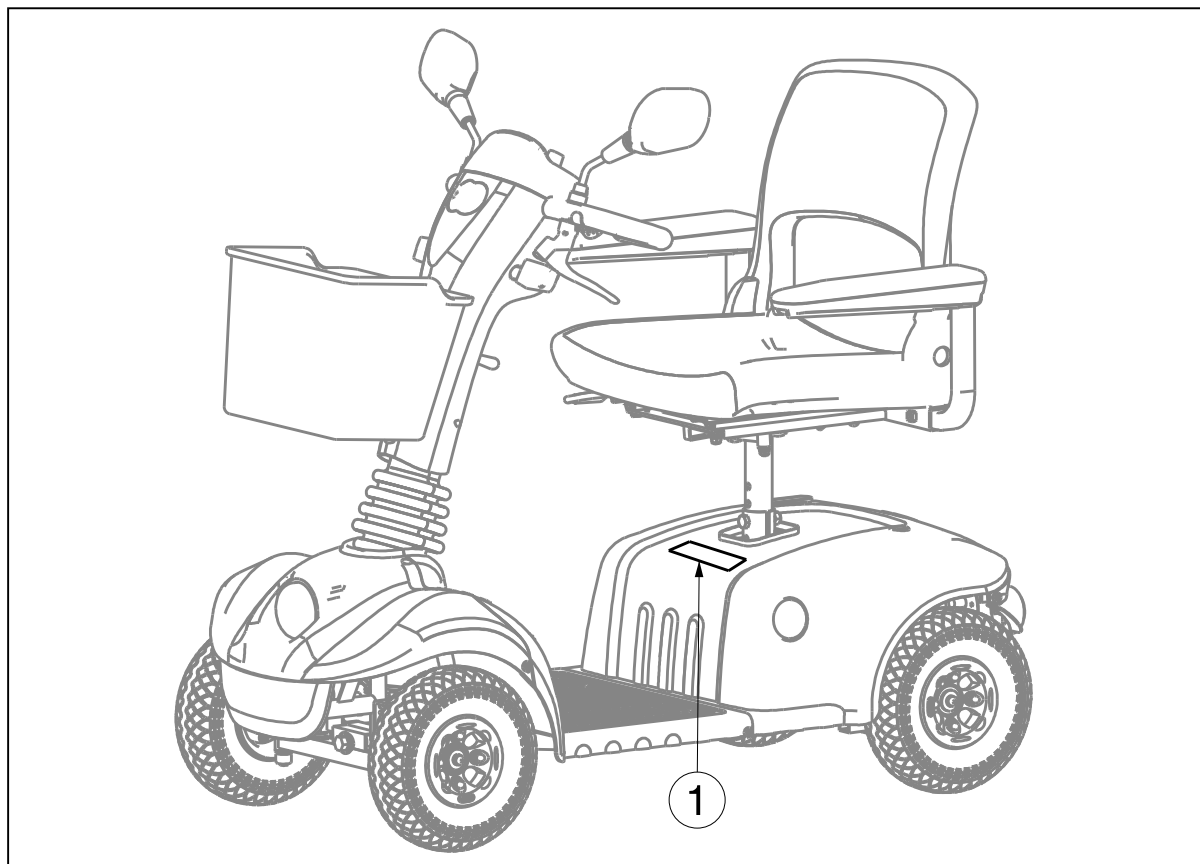
1.5 Componentes



ES

1.6 Placa de identificación de ubicaciones

La placa identificativa ① se encuentra en la carcasa trasera. También hay una placa de identificación bajo la tapa de la batería.



1.7 Explicación de los símbolos



Peso máximo



Uso en el exterior



Uso en el interior (para el cargador de batería)



Recuperación y reciclado por separado de los dispositivos eléctricos y electrónicos (para el cargador de baterías)



Clase de protección II



Pendiente máxima segura



Conformidad con la normativa CE



Velocidad máxima



No debe utilizarse como asiento en un vehículo de motor



Designación de tipo



Advertencia: peligro de pellizcarse los dedos/manos

1.8 Vida útil prevista

La vida útil media del scooter es de 5 años. La vida útil aumentará o disminuirá dependiendo de la frecuencia de uso, las circunstancias de conducción y el mantenimiento.

2 Uso

Este capítulo describe el uso diario. **Estas instrucciones están destinadas al usuario y a los distribuidores especializados.**

Su distribuidor especializado se encargará de entregarle el scooter completamente montado. Las instrucciones dirigidas al distribuidor especializado con respecto al montaje del scooter se encuentran en el capítulo § 3.

2.1 Observaciones sobre compatibilidad electromagnética (EMC)

Se ha probado el cumplimiento de EMC del scooter de acuerdo con ISO 7176-21.

Tenga en cuenta que las fuentes de ondas electromagnéticas (por ejemplo, teléfonos móviles) pueden crear interferencias. Los componentes electrónicos del scooter también podrían afectar a otros aparatos.

Para reducir el efecto de las fuentes de interferencia electromagnética, lea las advertencias siguientes:

- ⚠ ADVERTENCIA:** El scooter puede interferir con la operación de dispositivos de su entorno que emitan un campo electromagnético.
- ⚠ ADVERTENCIA:** El rendimiento de circulación del scooter puede verse afectado por campos electromagnéticos (p. ej. generadores eléctricos o fuentes de alta tensión).
- ⚠ ADVERTENCIA:** Evite utilizar televisores o radios portátiles en la proximidad inmediata del scooter siempre que esté en marcha.
- ⚠ ADVERTENCIA:** Evite utilizar transmisores-receptores o teléfonos móviles en la proximidad inmediata del scooter siempre que esté en marcha.
- ⚠ ADVERTENCIA:** Compruebe si hay torres transmisoras y no utilice el scooter en sus inmediaciones.
- ⚠ ADVERTENCIA:** Si se producen movimientos o frenazos involuntarios, apague el scooter en cuanto pueda hacerlo con seguridad.

Los campos electromagnéticos que produzcan interferencias pueden tener un efecto negativo en los sistemas electrónicos del scooter. Estos efectos incluyen:

- Desbloqueo del freno del motor
- Comportamiento incontrolable del scooter
- Movimientos de dirección no deseados

Si la interferencia de los campos es muy fuerte o prolongada, los sistemas electrónicos podrían averiarse o sufrir daños permanentes.

Las fuentes de radiación posibles incluyen:

- Instalaciones de receptor y transmisor portátiles (receptor y transmisor con antena fija montada directamente en la unidad transmisora)
 - Equipos transmisores y receptores
 - Teléfonos móviles o "walkie-talkies"
 - Televisores, radios y dispositivos de navegación portátiles
 - Otros dispositivos de transmisión personales
- Dispositivos transmisores y receptores móviles de alcance medio (por ejemplo, antenas montadas en la parte exterior del vehículo)
 - Equipos transmisores y receptores fijos
 - Dispositivos transmisores y receptores móviles fijos
 - Televisores, radios y sistemas de navegación fijos
- Dispositivos transmisores y receptores de largo alcance
 - Torres de radio y televisión
 - Equipos de radioaficionados

Por lo que sabemos hasta el momento, otros dispositivos domésticos como reproductores de CD, portátiles, teléfonos inalámbricos, radios de AM/FM, máquinas de afeitarse eléctricas y secadores de pelo no tendrán ningún efecto si funcionan correctamente y su cableado está en buen estado. Siga las instrucciones de funcionamiento de dichos aparatos eléctricos para garantizar el correcto funcionamiento del scooter.

1. No active los transceptores-receptores portátiles como, por ejemplo, las radios de banda ciudadana (CB), ni conecte dispositivos de comunicación personal como, por ejemplo, teléfonos móviles mientras el vehículo con motor esté activado.
2. Tenga cuidado con los transmisores próximos como, por ejemplo, emisoras de radio y televisión, y evite acercarse a ellos.
3. Si se produce un movimiento no intencionado o los frenos se sueltan, apague el vehículo lo antes posible y siempre que sea seguro.
4. Tenga en cuenta que la adición de accesorios o componentes, o la modificación del vehículo con motor puede hacer que este sea susceptible de EMI (nota: no hay un modo sencillo de evaluar su efecto en la inmunidad general del vehículo con motor).

La intensidad de la energía de EM que interfiere puede medirse en voltios por metro (V/m). Cada vehículo a motor puede resistir EMI hasta una intensidad determinada. Esto se denomina "nivel de inmunidad". Cuanto mayor sea el nivel de inmunidad, mayor será la protección. Actualmente, la tecnología es capaz de conseguir al menos un nivel de inmunidad de 20 V/m, lo que proporcionaría una protección útil a partir de las fuentes más comunes de EMI irradiado. Este modelo de vehículo a motor se suministra con un nivel de inmunidad de 20 V/m sin accesorios y sin someterse a modificaciones adicionales.

2.2 Transporte del scooter

El mejor modo de transportar el scooter es utilizando su punto muerto. Coloque el scooter en punto muerto y hágalo rodar hasta el lugar deseado.

Si no es posible, transporte el scooter siguiendo los pasos que se indican a continuación:

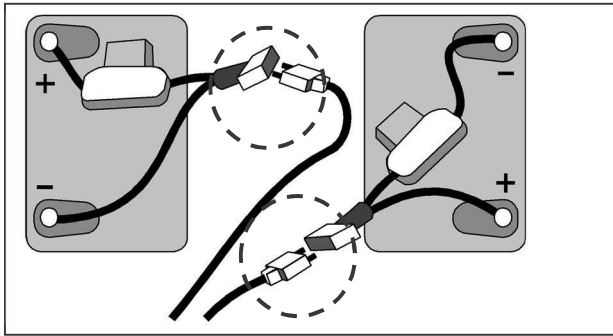
1. Apague el scooter.
2. Extraiga las piezas desmontables (asiento y baterías).
3. Guarde las piezas desmontables en un lugar seguro.
4. Transporte el armazón y la unidad de dirección hasta el lugar deseado con la ayuda de 2 o 3 personas. Sostenga el armazón por el chasis, y no por los parachoques o piezas de plástico. Sosténgalo sólo por las piezas fijas del armazón.

2.3 Montaje y desmontaje del scooter

- ⚠ ADVERTENCIA:** Riesgo de lesiones: asegúrese de que todas las piezas móviles están correctamente montadas.
- ⚠ ADVERTENCIA:** Peligro de lesiones: solo el personal cualificado puede montar y desmontar el scooter (por ejemplo, un distribuidor especializado).
- ⚠ ADVERTENCIA:** Riesgo de lesiones: tenga cuidado de no cortarse o herirse con los cables.
- ⚠ ADVERTENCIA:** Riesgo de lesiones: antes de desmontar el scooter, apáguelo.
- ⚠ PRECAUCIÓN:** Peligro de pillarse los dedos: no coloque los dedos entre los componentes del scooter.

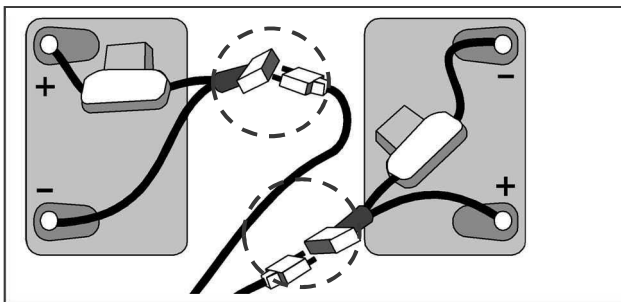
Para desmontarlo, siga el procedimiento que se indica a continuación:

- Apague el scooter.
- Quite el asiento (véase el capítulo "Cómo ajustar el asiento").
- Levante la tapa de plástico posterior de las baterías.



- Afloje las correas que fijan las baterías en su posición.
- Desconecte todos los enchufes de la batería (no los conectores de los polos), así como todas las conexiones de los enchufes y las tomas de los cables.
- Saque las baterías.
- Pliegue la unidad de la dirección.

Para montar de nuevo el scooter, siga el procedimiento que se indica a continuación:

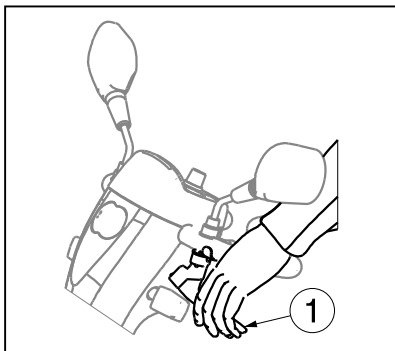


- Desplace la unidad de la dirección hacia arriba.
- Vuelva a colocar las baterías y conéctelas con sus enchufes (relacione los colores).
- Utilice las correas para apretar las baterías de modo que no se muevan, ni siquiera durante la conducción.
- Coloque la tapa de plástico posterior.
- Monte el asiento (véase el capítulo "Cómo ajustar el asiento").

2.4 Accionamiento de los frenos

Para accionar los frenos electromagnéticos:

1. Deje de acelerar, de este modo, se activará el freno electromagnético del motor y el scooter se detendrá.



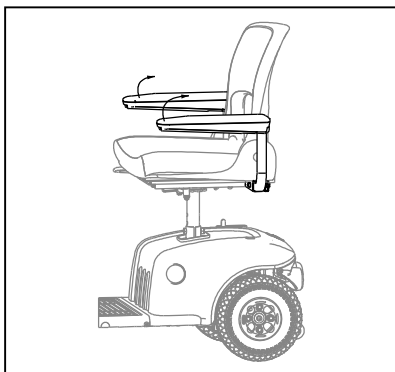
Para accionar los frenos de estacionamiento (opcional):

1. Tire de la palanca del freno ① hacia la empuñadura.
2. Suelte la palanca del freno ①.

Ajuste el freno de estacionamiento a través del dispositivo de ajuste del cable del freno.

2.5 Traslado al scooter y desde este

⚠ ATENCION: Riesgo de daños - Apague siempre su scooter antes de subir o bajar.



1. Aparque el scooter lo más cerca posible del lugar al que desee transferir la persona.
2. Compruebe que el panel de control (scooter) esté desactivado.
3. Coloque las almohadillas del reposabrazos en el lado por el que desee subirse.
4. Haga el traslado a o desde el asiento del scooter.

2.6 Posición correcta en el scooter

Algunas recomendaciones para un uso confortable del scooter:

1. Coloque la espalda lo más cerca posible del respaldo.
2. Asegúrese de que la parte superior de las piernas se encuentra en posición horizontal.

2.7 Cómo conducir el scooter

⚠ ADVERTENCIA: Riesgo de quemaduras; tenga cuidado cuando circule por entornos calientes o fríos (luz solar, frío extremo, saunas, etc.) durante un período de tiempo prolongado, ya que podría quemarse al tocar los materiales del scooter.

⚠ ADVERTENCIA: Riesgo por ajustes peligrosos; utilice únicamente las funciones de conducción indicadas en este manual.

⚠ ATENCION: Riesgo de daños - Apague siempre su scooter antes de subir o bajar.

2.7.1 Cómo preparar el scooter para utilizarlo

Cuando utilice el scooter por primera vez, asegúrese de empezar sobre un terreno plano. Todas las ruedas deben estar en contacto con el suelo.

1. Antes del primer uso, recargue las baterías completamente.
2. Asegúrese de que el motor esté en marcha.
3. Coloque la unidad de la dirección en la posición que le resulte más cómoda y asegúrese de que se ha fijado correctamente.
4. Compruebe que el asiento se ha bloqueado en la posición de conducción.
5. Siéntese en el asiento y compruebe que los dos reposabrazos estén en su posición para poder apoyar los brazos.
6. Introduzca la llave en el contacto y gírela hacia la derecha, espere al menos 3 segundos antes de presionar la palanca de velocidad. Sinó, tendrá una alarma de "protección de retardo". Si es necesario, encienda los faros.
7. Compruebe si el indicador de batería indica una cantidad suficiente de energía para el trayecto. Si no tiene suficiente capacidad, recargue las baterías antes de salir.

A continuación, ponga el control de velocidad del mando del operador en la posición mínima. El scooter está listo para utilizarse. Utilice una velocidad superior únicamente cuando esté seguro de que puede utilizar y controlar el scooter fácilmente.

Antes de utilizar el scooter en zonas concurridas o potencialmente peligrosas, familiarícese con el funcionamiento del vehículo. Practique en una zona abierta y extensa como, por ejemplo, un parque.

2.7.2 Manejo tras el uso

Antes de abandonar el scooter, asegúrese de que las cuatro ruedas toquen el suelo simultáneamente. A continuación, gire la llave a la posición "OFF" (el indicador de carga se apagará) para apagar la luz integrada.

2.7.3 Cómo estacionar el scooter

Cuando haya apagado el scooter, no se puede enviar ningún comando al sistema de conducción. No podrá desactivar los frenos electromagnéticos antes de encender de nuevo el scooter. Estacione siempre el scooter en lugares bien protegidos y que sean visibles.

2.7.4 El primer viaje

⚠ ADVERTENCIA: Controle el scooter: acostúmbrese al comportamiento de la scooter mientras circula.

⚠ ADVERTENCIA: Controle el scooter: no utilice simultáneamente ambos lados de la palanca de velocidad. Podría perder el control del scooter.

⚠ ADVERTENCIA: Controle el scooter; riesgo de lesiones: no ajuste la velocidad mientras circule.

⚠ ADVERTENCIA: Riesgo de lesiones: asegúrese de que no hay personas ni objetos detrás del scooter cuando circule marcha atrás.

- **Conducción**

Cuando esté sentado en su motocicleta y la haya arrancado siguiendo las instrucciones anteriores, sujete las empuñaduras con ambas manos y utilice los dedos para tirar de la palanca de velocidad en la dirección que desee, es decir:

TIRAR CON LA MANO DERECHA = MOVIMIENTO HACIA DELANTE
TIRAR CON LA MANO IZQUIERDA = MOVIMIENTO HACIA ATRÁS

Cuando utilice el scooter en interiores, no circule a la máxima velocidad.

- **Conducción por la calzada**

Asegúrese de que el interruptor del limitador se encuentra en la velocidad más baja cuando utilice el scooter en la calzada. La velocidad máxima permitida para conducir sobre la calzada dependerá de cada país. Compruebe la ley de tráfico del país correspondiente.

El interruptor del limitador puede establecerse en su máxima velocidad para utilizar el scooter en la carretera o en un lugar privado.

- **Frenado**

Para frenar, suelte la palanca de conducción/velocidad, con lo que volverá a la posición neutra (punto muerto) y la velocidad del scooter se irá reduciendo hasta que se detenga totalmente con suavidad. Practique la marcha y el frenado hasta que se acostumbre al scooter. Tiene que ser capaz de estimar cómo reaccionará el scooter cuando conduzca o frene.

No apague el scooter mientras la esté conduciendo, ya que esto provocaría una parada de emergencia y podría sufrir un accidente o daños.

- **Conducción en esquinas y curvas**

⚠ ADVERTENCIA: Riesgo de vuelco; reduzca la velocidad antes de entrar en una curva o girar una esquina.

⚠ ADVERTENCIA: Riesgo de aplastamiento: mantenga siempre una distancia adecuada con respecto a las esquinas y obstáculos.

⚠ ADVERTENCIA: Riesgo de vuelco: no conduzca el vehículo en zigzag ni haga giros imprevisibles.

En las curvas y esquinas, utilice las dos manos para girar el manillar en la dirección que desee tomar. Las ruedas delanteras girarán en la dirección correspondiente y el scooter se dirigirá en la nueva dirección. Es muy importante comprobar que haya suficiente espacio para girar en curvas y esquinas. Acérquese a los pasajes estrechos en una curva ancha para que pueda entrar por la parte más estrecha de frente y lo más recto posible. No olvide que la mayoría de veces la parte trasera del scooter será más ancha que la parte delantera.

No entre en curvas ni gire esquinas diagonalmente. Si intenta girar la esquina en diagonal, las ruedas traseras pueden encontrarse con obstáculos y el scooter puede desestabilizarse.

2.7.5 Movimiento hacia atrás

⚠ ADVERTENCIA: Controle el scooter: acostúmbrese al comportamiento de la scooter mientras circula.

⚠ ADVERTENCIA: Controle su velocidad; retroceda siempre lo más lentamente posible.

⚠ ADVERTENCIA: Riesgo de choques; mire siempre hacia atrás cuando retroceda.

La conducción hacia atrás requiere mucha concentración y cuidado (ACCIONAMIENTO HACIA LA IZQUIERDA). Esto explica por qué hemos reducido considerablemente la velocidad del movimiento de retroceso en comparación con la conducción hacia adelante. No obstante, le recomendamos que reduzca la velocidad al mínimo cuando circule marcha atrás.

No olvide que la dirección funciona al revés cuando se circula marcha atrás, y que el scooter girará directamente en el sentido indicado.

2.7.6 Pendientes ascendentes

- ⚠ ADVERTENCIA:** Controle el scooter: acostúmbrese al comportamiento de la scooter mientras circula.
- ⚠ ADVERTENCIA:** Controle el scooter: no ponga la scooter en punto muerto en pendientes.
- ⚠ ADVERTENCIA:** Controle su velocidad; desplácese por las pendientes con la rapidez posible.
- ⚠ ADVERTENCIA:** Riesgo de vuelco; no supere el grado máximo de pendiente para la estabilidad estática en pendientes ascendentes (consulte la sección "Especificaciones técnicas")
- ⚠ ADVERTENCIA:** No retroceda nunca en pendientes ascendentes.

Cómo sentarse, cuesta arriba

- Ajuste la profundidad de asiento y ángulo de respaldo para sentarse lo más delante posible; consulte el apartado §Error! Reference source not found. y §Error! Reference source not found. para realizar estos ajustes
- Inclínese siempre hacia delante para subir pendientes pronunciadas.

Acérquese siempre a las pendientes en posición frontal y, para evitar vuelcos, compruebe que las cuatro ruedas estén en contacto con el suelo en todo momento (rampas, vías de acceso, etc.). Inclínese hacia delante cuando esté subiendo una pendiente inclinada. El scooter está propulsada por un diferencial. Por lo tanto, ambas ruedas de tracción deben mantenerse en contacto con el suelo en todo momento. Si una de las ruedas deja de estar en contacto con el suelo, un dispositivo de seguridad desconectará la alimentación eléctrica de transmisión a las ruedas, lo que detendrá el scooter.

Si suelta el acelerador en una pendiente y se detiene, el freno del motor impedirá que el scooter ruede hacia atrás. En cuanto el acelerador vuelva a la posición de punto muerto, se activará el freno del motor. Para reanudar la conducción en la pendiente ascendente, pulse la palanca del acelerador por completo para transmitir suficiente energía. De esta forma, el scooter ascenderá la pendiente lentamente.

Si el scooter no puede subir, incremente el control de velocidad y vuélvalo a intentar.

Cuando conduzca en una pendiente, es posible que el indicador de batería suba y baje. Se trata de una situación normal; no es motivo de preocupación.

2.7.7 Pendientes descendentes

- ⚠ ADVERTENCIA:** Controle el scooter: acostúmbrese al comportamiento de la scooter mientras circula.
- ⚠ ADVERTENCIA:** Controle el scooter: no ponga la scooter en punto muerto en pendientes.
- ⚠ ADVERTENCIA:** Controle su velocidad; desplácese por las pendientes con la mayor lentitud posible.
- ⚠ ADVERTENCIA:** Riesgo de vuelco; evite las curvas muy cerradas.
- ⚠ ADVERTENCIA:** Riesgo de vuelco; no supere el grado máximo de pendiente para la estabilidad estática en pendientes descendentes (consulte la sección "Especificaciones técnicas").

Como sentarse, bajando cuestas

- Ajuste la profundidad de asiento y ángulo de respaldo para sentarse lo más atrás posible; consulte el apartado §Error! Reference source not found. y §Error! Reference source not found. para realizar estos ajustes
- Reclínese siempre hacia atrás para subir pendientes pronunciadas

Acérquese a las pendientes descendentes siempre en posición frontal. Si se acerca oblicuamente, puede ser que no todas las ruedas permanezcan en contacto con el suelo (peligro de vuelco). Si una



de las ruedas traseras no está en contacto con el suelo, se desconectará la transmisión de alimentación y se detendrá el scooter.

El peso del scooter aumentará la velocidad de bajada. Disminuya el control de velocidad y ajuste la velocidad a las condiciones.

Evite las curvas cerradas en pendientes descendentes. El peso del scooter puede provocar que un lado de la misma se levante o incluso que se vuelque en curvas.

2.8 Conducción del scooter en rampas

- ⚠ ADVERTENCIA:** Riesgo de lesiones; no supere la carga máxima de las rampas.
- ⚠ ADVERTENCIA:** Riesgo de lesiones: elija las rampas adecuadas para evitar que se produzcan lesiones o daños.
- ⚠ ADVERTENCIA:** Riesgo de lesiones: en caso de que un acompañante le empuje, tenga en cuenta que el peso elevado del scooter eléctrica genera una fuerza importante hacia atrás.
- ⚠ ADVERTENCIA:** Riesgo de lesiones; asegúrese de que la altura de la rueda sea suficiente para pasar por la rampa. El armazón del scooter no debe tocar las rampas.

Si desea utilizar rampas para pasar por encima de un obstáculo, tenga en cuenta lo siguiente:

1. Pregunte al fabricante cuál es la carga máxima de las rampas.
2. Conduzca en rampas a la menor velocidad posible.
3. Consulte las instrucciones en el capítulo "el primer viaje".

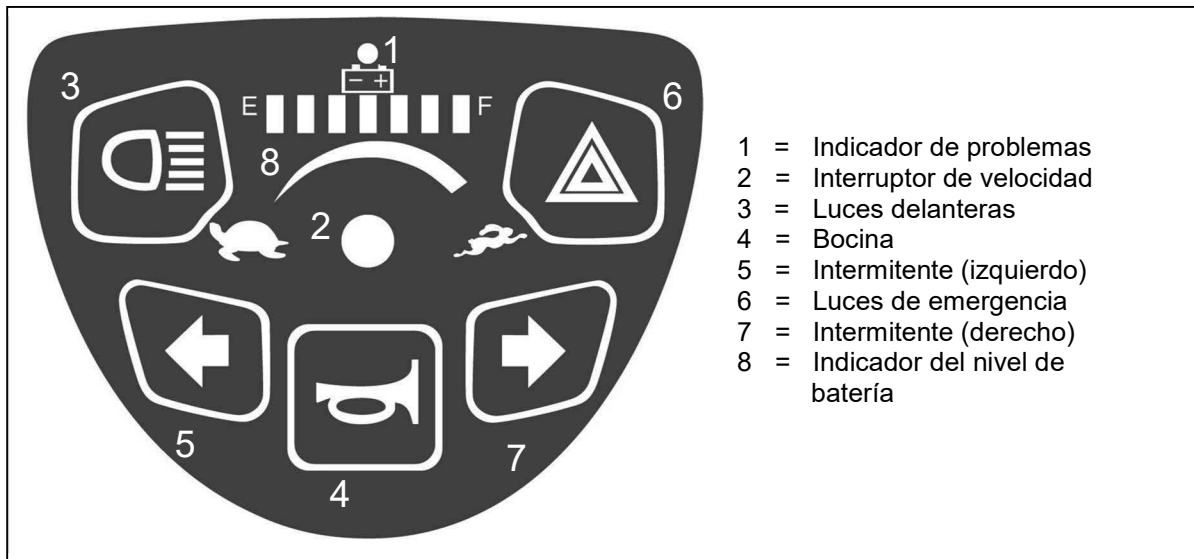
2.9 Superación de obstáculos

- ⚠ ADVERTENCIA:** Riesgo de lesiones por movimientos inesperados
 - No utilizar el scooter en escaleras mecánicas.
 - NO conducir en pendientes, obstáculos, escalones o bordillos de mayor tamaño que los descritos en las especificaciones técnicas del capítulo Error! Reference source not found..
 - Dirigirse siempre a un bordillo de frente.
 - Asegurarse de que todas las ruedas estén en contacto con el suelo mientras se sube o baja una cuesta.
- ⚠ ATENCIÓN:** Riesgo de daños

Si fuera necesario, tomar carrerilla con el scooter para superar el bordillo u obstáculo. Tener cuidado con el scooter para no sufrir choques fuertes.

2.10 Mando del operador

- Active la llave de encendido/apagado, espere al menos 3 segundos antes de accionar la palanca de velocidad. En caso contrario, se accionaría la alarma de "protección de retardo".
- El indicador de nivel de la batería ③ se encenderá y mostrará el nivel actual de las baterías.
- Ahora, gire el control de velocidad ② hasta alcanzar la velocidad de conducción deseada.
- Tire de la palanca de conducción hacia atrás con los dedos (la palanca derecha para moverse hacia delante y la palanca izquierda para moverse hacia atrás).
- Para que la bocina emita un sonido, pulse el botón correspondiente ④.
- Para activar las luces delanteras y traseras, pulse el botón correspondiente ③.
- Para activar las luces de emergencia, pulse el botón ⑥.
- Para activar los intermitentes, pulse el botón ⑤ y ⑦ (izquierda = intermitente izquierdo, derecha = intermitente derecho).
- Para detener el scooter, suelte la palanca de velocidad situada debajo del mando del operador.



Vermeiren es el responsable de los cambios de software. Para realizar cambios en el software, póngase en contacto con Vermeiren.

2.11 Punto muerto

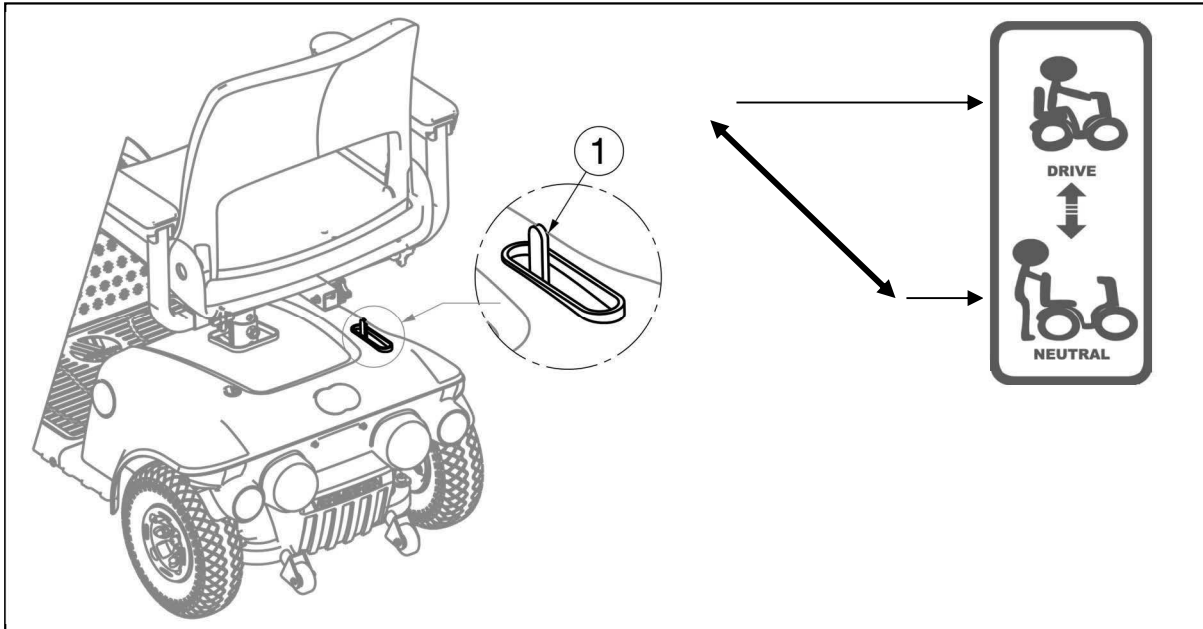
- ⚠ ADVERTENCIA:** Controle el scooter: no ponga el scooter en punto muerto mientras la esté conduciendo.
- ⚠ ADVERTENCIA:** Controle el scooter: no ponga el scooter en punto muerto en pendientes. Puede rodar accidentalmente.
- ⚠ ADVERTENCIA:** Riesgo de lesiones: no levante el scooter del suelo si no ha detenido el motor/engranajes para evitar el recalentamiento del motor.

El scooter dispone de un dispositivo de movimiento libre al que puede acceder y operar el acompañante o el usuario cuando no esté sentado en el scooter. Solo debe utilizar el scooter en punto muerto para transportarlo o ponerlo fuera de peligro.

Coloque el scooter en punto muerto con la palanca de parada del motor ① situada en la parte posterior de la scooter.

- Conducción
 1. Coloque la palanca de parada del motor ① en modo de desplazamiento. El motor y los engranajes se volverán a conectar.
 2. Encienda la llave de encendido/apagado.
 3. Ahora es posible la conducción controlada electrónicamente.

- Punto muerto
 1. Apague la llave de encendido/apagado.
 2. Coloque la palanca de parada del motor ① en punto muerto (véase la etiqueta). El motor y los engranajes se separan.
 3. Así se puede empujar el scooter sin la conducción electrónica.



2.12 Transporte

2.12.1 Avión

i S El scooter viene equipado con baterías AGM no derramables, por lo que es factible transportarlo, sin desmontarlo, en avión. Pese a ello consulte con su aerolínea la manera correcta de proceder en estos casos antes de reservar su vuelo.

Antes de entregar el scooter al personal del aeropuerto, desconéctelo y, en caso de ser necesario, retire las baterías. Ver la sección §**Error! Reference source not found.** sobre cómo quitar las baterías.

2.12.2 Coche

⚠ PELIGRO: Riesgo de lesiones: el scooter no se ha diseñado para su uso como asiento en un automóvil tal y como indica el pictograma a continuación.



⚠ ADVERTENCIA: Riesgo de lesiones: retire todas las piezas desmontables antes de transportarlo.

⚠ ADVERTENCIA: Riesgo de lesiones: durante el transporte, asegúrese de que no haya personas ni objetos debajo del scooter, en la base del reposapiés o en el asiento.

⚠ ADVERTENCIA: Riesgo de lesiones: asegúrese de que el scooter está bien fijado para evitar cualquier daño a los pasajeros en caso de colisión o frenada brusca.

⚠ ADVERTENCIA: Peligro de pillarse los dedos: no coloque los dedos entre los componentes del scooter.

La mejor forma de transportar el scooter en el coche es conducirlo al interior del coche con rampas. Si no tiene experiencia en la conducción del scooter con rampas, también puede ponerla en punto muerto y empujarla para introducirla en el coche con las rampas.

Si el scooter no cabe en el coche, también puede transportarlo siguiendo estos pasos:

1. Retire todas las piezas desmontables antes de transportarla (asiento, etc.).
2. Guarde las piezas desmontables en un lugar seguro.
3. Si es posible, retire las baterías/cajas de baterías para que no pese tanto
4. Pliegue la unidad de la dirección con el ajuste angular.
5. Coloquen el scooter en el coche entre dos o tres personas
6. Coloque el armazón del scooter de un modo seguro en el vehículo.

2.13 Desconexión automática de la alimentación

Para evitar que la batería se agote de manera accidental, el scooter dispone de un equipo de desconexión automática de la alimentación. Si el scooter está conectada, una vez transcurridos sin actividad, se apagará automáticamente. Cuando se produzca esta situación, simplemente apague el scooter y enciéndala de nuevo. De este modo, ya estará lista para su uso.

2.14 Carga de las baterías

AVISO Riesgo de lesiones y daños por incendio

- Sólo usar la/s batería/s y el cargador suministrado con el producto. La utilización de cualquier otro cargador o batería puede ser peligroso (riesgo de incendio). Póngase en contacto con su distribuidor especializado para un posible recambio.
- No abrir o cambiar la batería, el cargador, los cables, los enchufes o cualquier punto de conexión bajo ninguna circunstancia.
- El cargador está diseñado exclusivamente para cargar la/s batería/s suministrada/s con el scooter, y no debe/n utilizarse para cargar otras baterías.
- Proteger la batería y el cargador de batería de las llamas, temperaturas altas (>50°C), humedad, luz del sol e impactos fuertes (p. ej. caídas). NO utilizar la batería en estos casos.
- Recargar la batería en el interior con el cargador suministrado, en una zona bien ventilada, y fuera del alcance de los niños.
- No utilizar un cable de extensión para recargar.

PRECAUCIÓN Riesgo de lesiones

Las baterías durarán más o menos tiempo dependiendo del uso, el terreno y las condiciones de conducción.

Al planear un viaje, téngase en cuenta el estado de la carga de la batería. Téngase también en cuenta el radio de acción de la batería, véanse los detalles técnicos en §1.3.

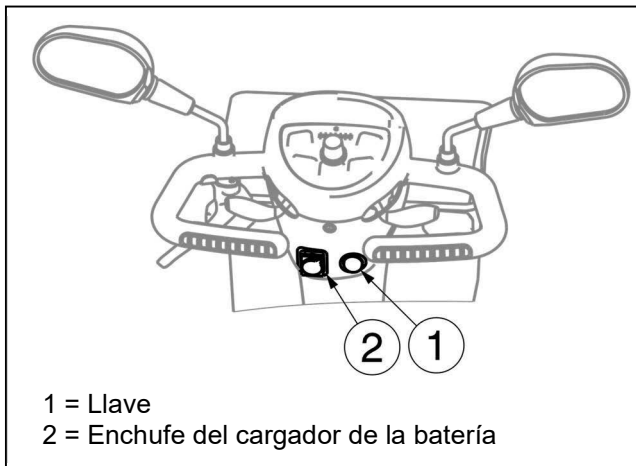
PRECAUCIÓN Riesgo de dañar la batería o de reducir la vida útil de la batería

- Léase el manual de instrucciones del cargador y cumplir con las instrucciones de seguridad relacionadas con el cargador.
- Si el scooter lleva almacenado un tiempo, se recomienda cargar la batería regularmente (aproximadamente una vez al mes).
- No interrumpir el ciclo de carga; esperar a que el cargador indique que la batería está completamente cargada, véase el manual de instrucciones del cargador. Evitar cargas de periodos breves. Nota: esto NO es aplicable para las baterías de litio.
- La batería puede sufrir daños irreparables si se descarga completamente. Por tanto, asegurarse de que se recargue a tiempo.
- La vida útil de la batería se reduce si se expone a temperaturas extremadamente frías durante un periodo de tiempo largo, véanse los detalles técnicos en §1.3.
- Comprobar que todos los puntos de conexión de la batería y el punto de conexión de la carcasa de la batería están libres de polvo y otro tipo de suciedad.
- Proteger la batería de grandes fuentes de radiación electromagnética.

Recargue completamente la batería nueva antes del primer uso.

Los diodos luminosos (LED) integrados en la unidad de la dirección indican la energía restante en las baterías. Si el cargador de la batería está conectado y no hay ningún indicador LED encendido, inspeccione el fusible. Si el LED rojo no se ilumina, el cargador está defectuoso; póngase en contacto con su distribuidor especializado.

1. Desactivar el scooter.
2. Conectar PRIMERO el cargador de batería a una toma de corriente de 230V CA.
3. Abra la cubierta protectora del enchufe de carga (2).
4. Conectar el cargador a la batería.
5. Consultar el manual de instrucciones del cargador de batería para una explicación detallada sobre los indicadores presentes en el cargador.
6. Cuando la batería esté completamente cargada, desconectar la batería del cargador.
7. Retirar el cargador de la toma de corriente, dejar que se enfríe, y almacenar en un lugar seco.
8. Encender el scooter y comprobar que se encienden todas las luces del indicador de la batería.



i Si hubiera algún problema que impida cargar la batería según las instrucciones en el manual del cargador, póngase en contacto con su distribuidor especializado.

Cuando el panel de control muestre el código de error "Drive inhibit" (Conducción dificultada) después de cargar, asegurarse de que el cargador de batería esté desconectado. Esta medida de seguridad evita que el usuario comience a conducir con el cargador todavía conectado a la red de suministro.

3 Instalación y ajuste

Este capítulo contiene instrucciones destinadas al usuario y a los distribuidores especializados.

Para encontrar un centro de servicio o un distribuidor especializado cerca de usted, póngase en contacto con el centro Vermeiren más próximo. Puede encontrar una lista con los centros Vermeiren en la última página.

⚠ ADVERTENCIA: Riesgo por ajustes peligrosos; utilice únicamente los ajustes indicados en este manual.

⚠ ADVERTENCIA: Riesgo de vuelco: realizar ajustes distintos a los permitidos en el scooter puede afectar a su estabilidad (inclinación hacia atrás o hacia los lados).

3.1 Herramientas

Para montar el scooter, necesita las siguientes herramientas.

- Juego de llaves inglesas del 13, 17
- Juego de destornilladores Allen del número 6

3.2 Forma de suministro

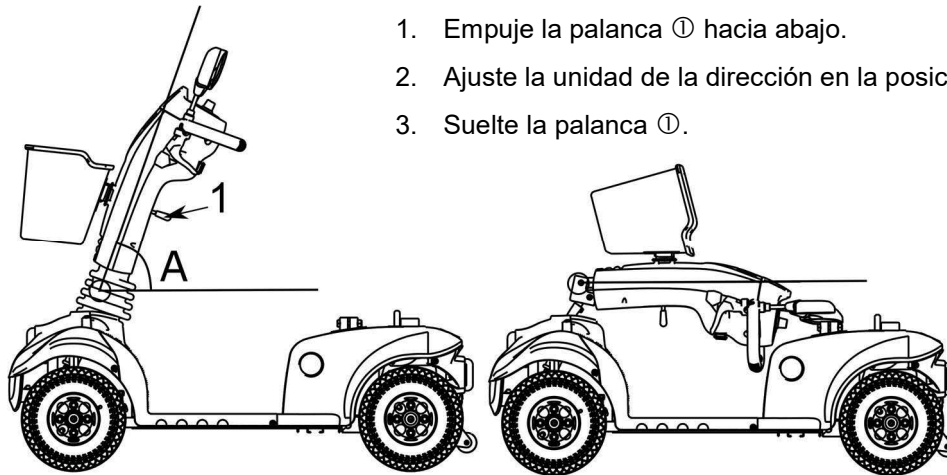
El scooter se entrega con:

- 1 armazón con reposabrazos, unidad de la dirección, y ruedas delanteras y traseras
- Base del reposapiés
- Asiento + respaldo
- Baterías (2x), motor
- Cesta
- Espejos retrovisores (2x)
- Freno de estacionamiento
- Cargador de batería
- Accesorios
- Manual

3.3 Ajuste de la unidad de la dirección

Es posible ajustar la unidad de la dirección en muchas posiciones diferentes (sin intervalos) para adaptarse a las necesidades de cada conductor. El ángulo de la columna de manillar (A) se puede ajustar de 0° (en posición horizontal, sin asiento) hasta 80° (en su posición más alta).

- ⚠ **ADVERTENCIA: Riesgo de lesiones: no realice nunca ajustes del ángulo mientras circule.**
- ⚠ **ADVERTENCIA: Riesgo de lesiones: antes de ajustar el ángulo de la unidad de la dirección, apague el scooter.**
- ⚠ **ADVERTENCIA: Riesgo de lesiones: No apoye todo el cuerpo en la unidad de dirección.**



1. Empuje la palanca ① hacia abajo.
2. Ajuste la unidad de la dirección en la posición deseada.
3. Suelte la palanca ①.

3.4 Ajuste del asiento

- ⚠ **ADVERTENCIA: Riesgo de lesiones; no realice nunca ajustes mientras circule.**
- ⚠ **ADVERTENCIA: Riesgo de lesiones: asegúrese de que el asiento quede bloqueado de modo seguro.**

Retire el asiento (Fig. A)

1. Tire de la palanca del asiento ① hacia arriba.
2. Gire un poco el asiento ② y levántelo fuera de la barra de ajuste ⑤.
3. Suelte la palanca del asiento ①.

Cómo fijar el asiento en su posición (Fig. A)

1. Tire de la palanca del asiento ① hacia arriba.
2. Coloque el asiento ② en la barra de ajuste ⑤, y a la vez mantenga la palanca de asiento ① accionada.
3. Suelte la palanca del asiento ①.
4. Compruebe que el asiento esté bien sujeto.

Asiento giratorio (Fig. A)

1. Tire de la palanca del asiento ① hacia arriba.
2. Gire el asiento ② hacia la dirección deseada.
3. Suelte la palanca del asiento ①, el asiento se bloqueará siempre en un ángulo de 20°.
4. Compruebe que el asiento esté bien sujeto.

Ajuste de la profundidad (Fig. A)

1. Levante la palanca de ajuste de la profundidad del asiento ③ hacia fuera.
2. Desplace el asiento ② hacia delante o hacia atrás por los raíles de profundidad del asiento ④.
3. Para bloquear el asiento en un lugar, suelte la palanca ③ cuando el asiento ② se encuentre en la posición deseada.
4. Gire el asiento ligeramente hasta que encaje.
5. Compruebe que el asiento se ha bloqueado correctamente.

Fig. A

- 1 = Palanca del asiento
- 2 = Asiento
- 3 = Palanca de ajuste de la profundidad del asiento
- 4 = Raíles de profundidad del asiento
- 5 = Barra de ajuste

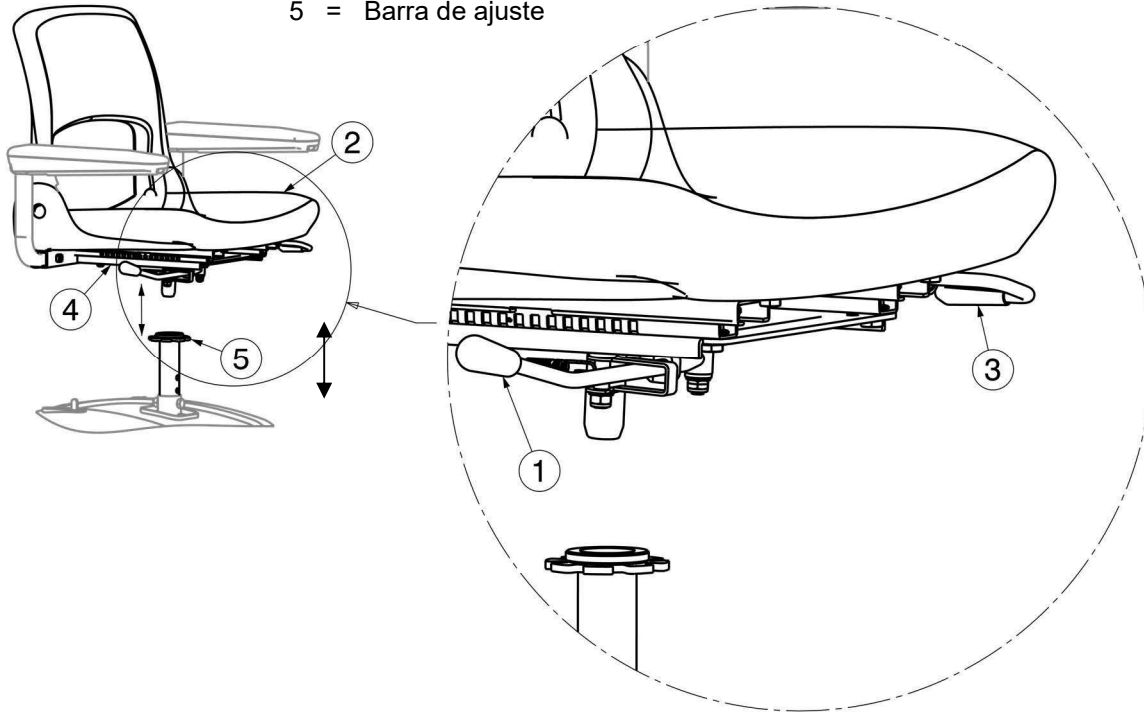
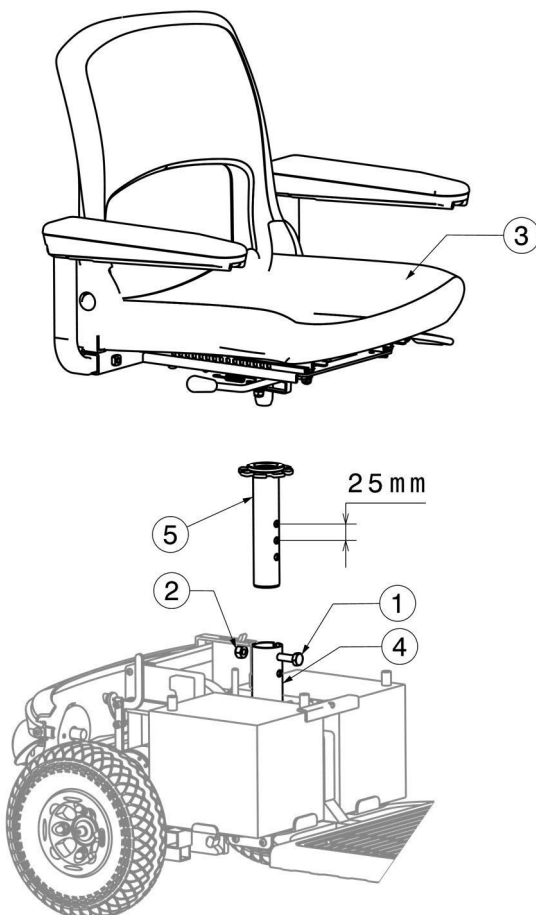


Fig. B

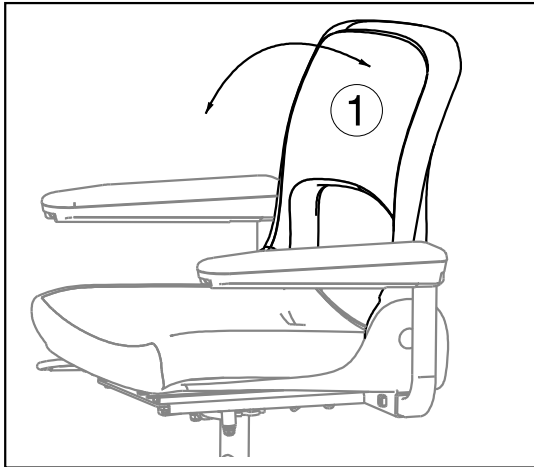
Ajuste de la altura del asiento (Fig. B)

El asiento se puede ajustar a 3 alturas diferentes (incrementos: 25 mm).

1. Extraiga el asiento ③ y la tapa de la batería.
2. Retire el perno ① y la arandela ②.
3. Mueva la barra de ajuste ⑤ hacia arriba / abajo en el receptor ④, y colóquelos en una altura de asiento cómoda.
4. Apriete el tornillo ① y la arandela ②.
5. Sustituya el asiento ③ y la tapa de la batería.
6. Compruebe que el perno ③ se ha bloqueado correctamente.



3.5 Plegado del respaldo

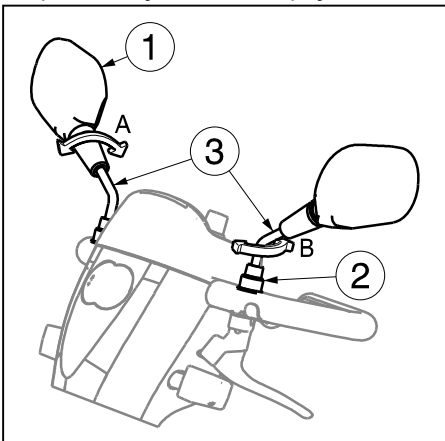


⚠ ADVERTENCIA: Riesgo de lesiones; no realice nunca ajustes mientras circule.

Empuje el respaldo ① hacia delante para plegarlo hacia delante.
Tire del respaldo ① hacia atrás para colocar el respaldo en posición vertical.

3.6 Ajuste de los espejos retrovisores

Es posible ajustar los espejos retrovisores:



Ajuste 1 (flecha A):

1. Sujete el espejo retrovisor ①.
2. Gire el espejo retrovisor ① en la posición deseada.

o

Ajuste 2 (flecha B):

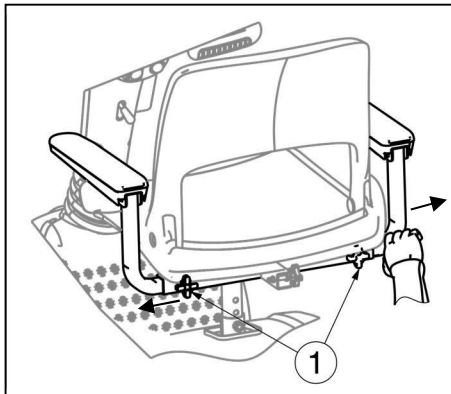
1. Levante la cubierta ②.
2. Afloje el tornillo del espejo.
3. Sujete el tubo ③ con suavidad.
4. Gire el tubo ③ y coloque el espejo ① en la posición deseada.

3.7 Ajuste de los reposabrazos

⚠ PRECAUCIÓN: Riesgo de vuelco; asegúrese de que los reposabrazos estén situados simétricamente en ambos lados.

⚠ PRECAUCIÓN: Riesgo de lesiones: monte el tubo interior siempre con una distancia de seguridad de 50 mm en el tubo exterior.

El reposabrazos se puede ajustar en anchura.



3.7.1 Ajuste de la anchura del reposabrazos

1. Retire el pomo de estrella ① de la parte trasera del scooter.
2. Sujete el tubo cuadrado interior como se muestra en la imagen.
3. Mueva este tubo para ajustar el reposabrazos hasta la anchura deseada (rango 100 mm en cada lado).
4. Vuelva a apretar el pomo de estrella ①.
5. Compruebe que el reposabrazos esté bien fijado.

3.8 Cambio de los neumáticos

⚠ PRECAUCIÓN: Antes de retirar el neumático, deshínchelo completamente.

⚠ PRECAUCIÓN: Riesgo de lesiones; la llanta puede dañarse si no se maneja correctamente.

Antes de insertar la nueva cámara, tenga en cuenta lo siguiente:

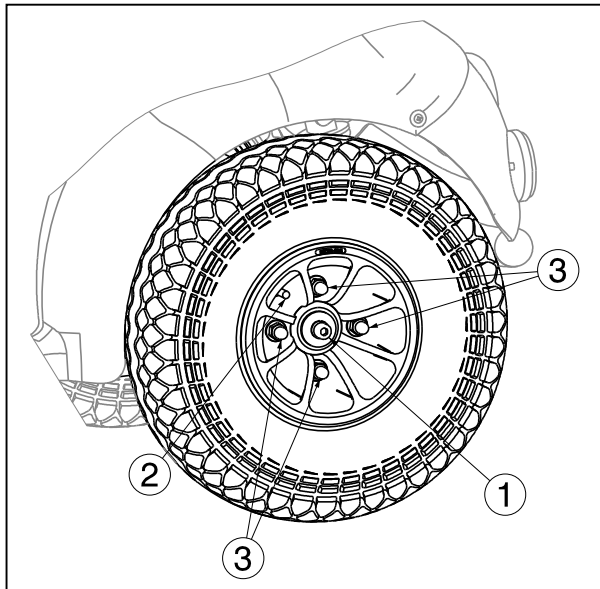
Compruebe que no haya cuerpos extraños en el fondo de la llanta ni la superficie del neumático y límpielos si es necesario. Compruebe el estado del fondo de la llanta, en especial alrededor de la válvula. Use únicamente piezas de repuesto originales. No se ofrecerá responsabilidad alguna si piezas de repuesto no originales causan daños. Póngase en contacto con su distribuidor especializado.

Montaje:

⚠ ADVERTENCIA: Riesgo de lesiones; compruebe que la presión sea correcta.

⚠ PRECAUCIÓN: Riesgo de lesiones; compruebe que no haya objetos ni partes del cuerpo atrapadas entre el neumático y la llanta al montar un neumático.

⚠ ADVERTENCIA: Riesgo de lesiones; asegúrese de que todos los tornillos estén bien apretados a mano antes de circular con el scooter. Debería aplicarse adhesivo para tornillos (p.ej. Loctite) en los tornillos de la brida. El adhesivo solo funcionará si la rosca está libre de grasa y partículas.



DESMONTAJE

1. Destornille y extraiga el tornillo central ① que une la rueda y la brida al scooter.
2. Pulse el perno de presión de la válvula ② para deshinchar la rueda.
3. Destornille los 4 tornillos ③ de la parte interior de la llanta. Separe los lados de la llanta.

MONTAJE

Inserte la cámara medio hinchada en el neumático.

1. Conecte los dos lados de la llanta, a través de los neumáticos y coloque la brida contra el neumático y atorníllelo de nuevo con los 4 tornillos ③.
2. Pase la válvula ② por el orificio de la llanta.
3. Ponga de nuevo la rueda y la brida en el scooter y asegure estas conexiones con el tornillo central ①. Hínche la rueda hasta la presión recomendada para el neumático.

Compruebe por todos lados que la cámara no esté atrapada entre la llanta y el borde del neumático. Empuje ligeramente la válvula hacia adentro y tire de ella hacia afuera para garantizar que el neumático quede bien colocado alrededor de la válvula.

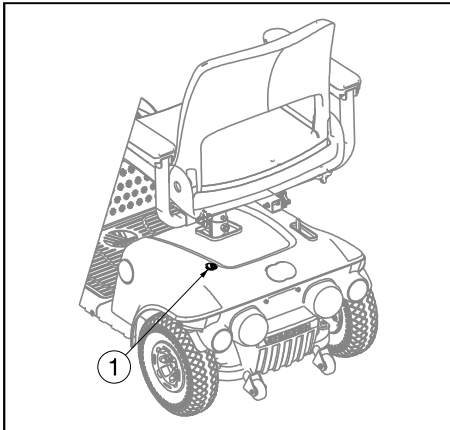
Para comprobar que la rueda esté bien colocada, inicialmente solo hínchela lo suficiente para que se pueda presionar hacia dentro con los pulgares. Si las líneas de comprobación son equidistantes del borde de la llanta en ambos lados del neumático, el neumático está bien centrado. Si no es ese el caso, deshínche el neumático y repita el proceso. A continuación, el neumático puede hincharse hasta la presión de funcionamiento total (tenga en cuenta el máximo) y puede volver a poner el capuchón de la válvula.

Solo un experto puede garantizar un montaje correcto. Si nuestro distribuidor especializado no realiza todo el montaje, se invalida la garantía.

Cuando hínche las ruedas, compruebe siempre que la presión sea la correcta. La presión correcta se indica en la pared de los neumáticos.

Utilice solo equipos de hinchado que cumplan las regulaciones e indiquen la presión en bar. No aceptamos responsabilidad alguna por daños causados al usar equipos de inflado no suministradas por el fabricante.

3.9 Fusibles térmicos

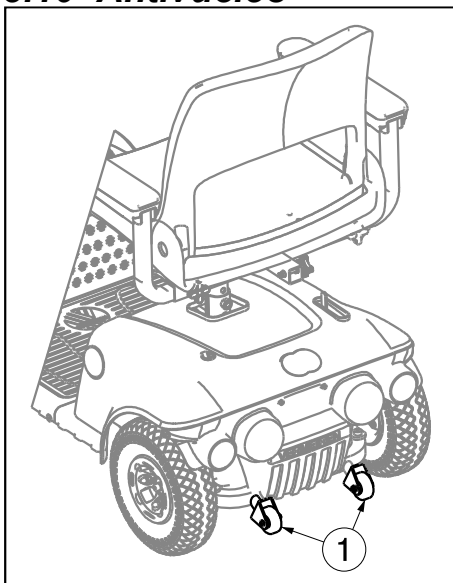


Para proteger el motor de sobrecargas, el scooter dispone de un mecanismo térmico de seguridad ① en su parte posterior. El fusible térmico parará el motor automáticamente para evitar el recalentamiento, el deterioro rápido o las averías. Puede acceder al dispositivo térmico de seguridad a través de un orificio situado en la parte posterior de la cubierta sintética.

El dispositivo térmico de seguridad puede soltarse si sube o baja pendientes que superen el grado de pendiente máximo indicado. Las cargas nominales que superan el máximo permitido también pueden hacer que el dispositivo se suelte. Asimismo, si conduce con el freno del motor accionado, podría producirse una sobrecarga. Los valores máximos que no deben superarse están indicados en el capítulo "Especificaciones técnicas" del manual correspondiente.

Para volver a utilizar el scooter, retire la sobrecarga y espere hasta que se haya enfriado el motor. A continuación, vuelva a introducir el mecanismo térmico de seguridad. Ahora podrá volver a utilizar el scooter.

3.10 Antivuelco



El antivuelco ① está fijado en la parte posterior del armazón del scooter, por lo que no es posible extraerla. Por lo tanto, no es posible retirarlo. El antivuelco está diseñado para su seguridad. Evita que el scooter vuelque hacia atrás cuando supere obstáculos pequeños que NO excedan la altura máxima especificada.

3.11 Cambio de la batería

- ⚠ PRECAUCIÓN: Riesgo de quemaduras:** no entre en contacto con el ácido de las baterías. Mantenga una buena ventilación del compartimento de las baterías.
- ⚠ PRECAUCIÓN: Riesgo de lesiones y daños:** utilice solo baterías "no derramables" como recambio. Lo identificará por la inscripción "no derramable" en la propia batería.

Las baterías se deben sustituir las dos a la vez, no solamente una.

Substituya las baterías de su scooter con el mismo tipo de baterías (Modelo: "**Baterías AGM**").

El cargador de baterías suministrado funciona únicamente con baterías AGM.

Si utiliza otro tipo de baterías, sustituya también el cargador de baterías. Si utiliza baterías o cargadores de baterías incorrectos queda anulada cualquier tipo de reclamación de garantía. Si busca otras baterías o cargadores de baterías, póngase en contacto con su distribuidor especializado en caso de incertidumbre.

Solo personal especializado debería cambiar las baterías.

El cableado y el cargador están situados en el scooter. No intente recolocar el cableado usted mismo. La disposición inadecuada del cableado puede provocar que los cables queden atrapados con la caja de la batería, lo que podría provocar fallos en el sistema electrónico del scooter.

Asegúrese de que los cables de la batería estén conectados a la batería adecuada.

4 Mantenimiento

Para consultar el manual de mantenimiento el scooters, visite el sitio web de Vermeiren: <http://www.vermeiren.com/>.

PRECAUCIÓN: Riesgo de lesiones y daños

Cualquier reparación o cambios sólo pueden llevarse a cabo por personal debidamente cualificado y sólo pueden utilizarse piezas de recambio Vermeiren originales.

i La frecuencia de los mantenimientos depende de la frecuencia e intensidad de uso. Póngase en contacto con su distribuidor para acordar un horario común para realizar inspecciones, mantenimientos y reparaciones.
Leer las instrucciones de usuario del cargador de batería aplicado sobre su mantenimiento .

4.1 Instrucciones de reutilización

4.1.1 Puesta a punto para reutilización

La última página de este manual contiene una hoja de registro para la ortopedia o tienda especializada, con el fin de recordarle cada revisión. Esta página puede usarse también en tiendas con servicio de alquiler para anotar cuando se requiere una puesta a punto del vehículo: inspección, limpieza, desinfección y mantenimiento. Comprovar antes de la reutilización si el mantenimiento se ha registrado correctamente. De esta manera el producto podrá considerarse apto para ser reutilizado.

4.1.2 Tiempo de mantenimiento

Antes de cada uso

Inspeccionar los siguientes aspectos:

- A Estado de la batería: cargar la batería cuando sea necesario, véase §2.14.
- B Estado de las ruedas/los neumáticos, véase **§Error! Reference source not found.**
- C Todas las piezas: limpias, véase **§Error! Reference source not found.**
- D Panel de control, cables pertinentes: sin daño, como alambres deshilachados, rotos o expuestos.
- E Ruedas, columna de manillar, panel de control. Bien asegurado.
- F Asiento y respaldo: manchas, bultos, daños o desgarros. Reemplace el asiento y / o el respaldo si es necesario.

Ponerse en contacto con el distribuidor especializado para posibles reparaciones o sustitución de piezas.

Anualmente o más regularmente

El scooter debe pasar por inspección y mantenimiento realizados por el distribuidor especializado por lo menos una vez al año, o más a menudo. La frecuencia mínima de mantenimiento depende del uso y debe, por tanto, acordarse mutuamente con el distribuidor especializado.

Si está almacenado

Asegurarse de que el scooter se almacena en un entorno seco para evitar el crecimiento de moho o que se dañe la tapicería.

Aunque se almacene el scooter durante un periodo de tiempo largo, aún se deben recargar las baterías cada mes. Para más información, véase §2.14.

4.1.3 Ruedas y neumáticos

- A Mantener las ruedas libres de cables, pelos, arena y fibras.
- B Comprobar el perfil de los neumáticos. Si la profundidad del dibujo es de menos de 1mm, deben sustituirse los neumáticos. Póngase en contacto con su distribuidor especializado para este asunto.
- C Comprobar la presión de las ruedas. La presión depende del tipo de cubierta. La presión adecuada se puede leer en el lateral de la cubierta.
- D Si el neumático no se infla correctamente o se ve desgastado/plano, contacte con su Ortopedia o tienda especializada para reemplazarlo.

⚠ PRECAUCIÓN: Riesgo de lesiones o daños

Asegúrese de que no se exceda la presión máxima durante el inflado. Compruebe los detalles indicados en el lateral del neumático.

4.1.4 Limpieza

⚠ PRECAUCIÓN: Riesgo de daños por humedad

Mantener el panel de control limpio y protegerlo del agua y la lluvia.

No utilizar nunca una manguera o un limpiador a alta presión para limpiar el scooter.

Limpiar todas las piezas rígidas del scooter con un paño húmedo (no empapado). Si fuera necesario, utilizar un jabón suave que sea apto para limpiar superficies barnizadas y sintéticas. La tapicería puede limpiarse con agua templada y jabón suave. No utilizar productos de limpieza abrasivos.

Mantener las ranuras de ventilación del cargador de batería limpias y libres de acumulaciones de polvo. Soplar el polvo y limpiar la carcasa del cargador de batería con un paño ligeramente húmedo si fuera necesario.

4.1.5 Desinfección

⚠ PRECAUCIÓN: Riesgo de daños - La desinfección sólo puede llevarla a cabo personal debidamente cualificado. Consulte con su distribuidor especializado al respecto.

5 Fin de vida útil

Al final de la vida útil, deberá desechar el scooter siguiendo las leyes medioambientales de su localidad. Para transportar materiales reciclables del scooter de manera más cómoda, se recomienda desmontarlo primero. Normalmente, las pilas se eliminan aparte.

6 Declaración de conformidad

Este producto tiene la certificación CE y está clasificado como un producto médico, Clase I. La certificación CE garantiza que su producto es conforme con las normativas de salud, seguridad y medio ambiente aplicadas a productos que se comercializan dentro del espacio económico europeo.

Hay una copia disponible de la Declaración de Conformidad en nuestro sitio web: <http://www.vermeiren.com/>.





Spis treści

1	Opis produktu	3
1.1	Przeznaczenie	3
1.2	Instrukcje bezpieczeństwa	4
1.3	Parametry techniczne	5
1.4	Akcesoria	6
1.5	Elementy składowe	7
1.6	Położenie tabliczki znamionowej	7
1.7	Objaśnienie symboli	8
1.8	Oczekiwany okres użytkowania	8
2	Zastosowanie	9
2.1	Uwagi dotyczące kompatybilności elektromagnetycznej (EMC)	9
2.2	Przenoszenie skutera	10
2.3	Montaż i demontaż skutera	10
2.4	Obsługa hamulców	11
2.5	Siadanie i wstawanie ze skutera	11
2.6	Prawidłowa pozycja na skuterze	11
2.7	Jazda skuterem	11
2.8	Wjeżdżanie skuterem na podjazdy	14
2.9	Pokonywanie przeszkód	15
2.10	Moduł sterowania	15
2.11	Położenie Neutralne	16
2.12	Transport	16
2.13	Funkcja automatyczne odłączenia zasilania	17
2.14	Ładowanie akumulatorów	17
3	Montaż i regulacja	19
3.1	Narzędzia	19
3.2	Sposób dostawy	19
3.3	Regulacja modułu kierowniczego	19
3.4	Regulacja siedziska	20
3.5	Składanie oparcia	21
3.6	Regulacja lusterek wstecznych	21
3.7	Regulacja podłokietników	22
3.8	Wymiana opon	22
3.9	Bezpieczniki termiczne	23
3.10	Zabezpieczenie przed przewróceniem	24
3.11	Wymiana akumulatorów	24
4	Konserwacja	25
4.1	Instrukcja ponownego użytkowania	25
5	Koniec użytkowania	26
6	Deklaracja zgodności	26

Wstęp

Przede wszystkim pragniemy Państwu podziękować za zaufanie, jakim nas Państwo obdarzyli, dokonując wyboru jednego z naszych Skuter.

Na szacowaną żywotność skuter olbrzymi wpływ ma konserwacja oraz pielęgnacja skuter.

Niniejsza instrukcja pomoże Państwu zapoznać się z obsługą skuter.

Postępowanie zgodnie z instrukcjami dotyczącymi obsługi i konserwacji stanowi zasadniczy warunek gwarancji.

Niniejsza instrukcja obsługi odzwierciedla aktualny stan produktu. Firma Vermeiren zastrzega sobie jednak prawo do wprowadzenia zmian bez obowiązku dostosowania lub wymiany wcześniej dostarczonych modeli.

W razie jakichkolwiek pytań prosimy kontaktować się ze sprzedawcą.⁷

Dostępne informacje

W naszej witrynie internetowej <http://www.vermeiren.com/> zawsze znajduje się najnowsza wersja następujących informacji. Prosimy regularnie odwiedzać witrynę, ponieważ wersja drukowana może nie być aktualna.



- Niniejsza instrukcja
Osoby z zaburzeniami wzroku mogą pobrać elektroniczną wersję niniejszej instrukcji i odsłuchać ją przy użyciu oprogramowania zamieniającego tekst na mowę.



- Deklaracja zgodności WE
Dla użytkownika i wyspecjalizowanego sprzedawcy



- Instrukcje montażu i demontażu części opcjonalnych
Dla wyspecjalizowanego sprzedawcy



- Instrukcja serwisowa
Dla wyspecjalizowanego sprzedawcy

Szczegóły kontaktu

Aby znaleźć placówkę serwisową lub specjalistycznego sprzedawcę w pobliżu, skontaktuj się z najbliższym ośrodkiem Vermeiren.

1 Opis produktu

1.1 Przeznaczenie

Skuter służy do wygodnego przemieszczania się. Ten skuter jest zaprojektowany do transportu 1 osoby. Skuterem nie wolno przewozić pasażerów (w tym dzieci).

Skuter został zaprojektowany do transportu wyłącznie jednej dorosłej osoby, a nie towarów ani osób poniżej 16 roku życia.

Nie powinny go używać osoby wyraźnie cierpiące na ograniczenia fizyczne ani umysłowe, które uniemożliwiają im bezpieczne obchodzenie się ze skuterem w ruchu ulicznym.

Ograniczenia te mogą obejmować:

- hemiplegia lub paraplegicy
- zaburzenia psychiczne
- Upośledzenie wzroku

Skuter jest sklasyfikowany jako produkt klasy B.
Skuter jest do użycia na zewnątrz budynków.

W celu dostosowania produktu do indywidualnych wymagań, należy uwzględnić następujące warunki:

- rozmiary i masa ciała (maks. 140 kg);
- stan fizyczny i psychiczny;
- warunki mieszkaniowe;
- otoczenie

Z skuter należy korzystać na płaskich powierzchniach, na których wszystkie cztery koła dotykają podłoża oraz kontakt jest wystarczający, aby odpowiednio napędzać koła.

Należy przećwiczyć pokonywanie przeszkód (np. krawężników) oraz korzystanie z wózka na nierównych powierzchniach (kostkach brukowych itp.), pochyłościach i zakrętach.

Skuter nie należy wykorzystywać w roli drabiny, nie służy on również do transportu ciężkich lub gorących przedmiotów.

Korzystając z skuter na ulicy lub chodniku, należy przestrzegać lokalnych przepisów prawa.

Z skuter można korzystać na chodnikach, drogach miejskich. W żadnym wypadku nie wolno korzystać z skuter na dużych drogach ani drogach szybkiego ruchu.

Należy korzystać wyłącznie z akcesoriów zatwierdzonych przez firmę Vermeiren.






























Producent nie ponosi odpowiedzialności za uszkodzenia spowodowane zaniedbaniem konserwacji, nieodpowiednim serwisowaniem bądź będące skutkiem nieprzestrzegania zaleceń zawartych w niniejszej instrukcji obsługi.

Postępowanie zgodnie z instrukcją użytkownika oraz instrukcją konserwacji stanowi zasadniczy warunek gwarancji, więc zalecamy dokładnie przeczytać poniższą instrukcję.

Osoby niedowidzące mogą skontaktować się ze sprzedawcą w celu uzyskania instrukcji użytkownika.

Uwaga: Ten produkt jest odpowiedni i zatwierdzony do ponownego użytkowania przez innego pacjenta, gdy jest dostarczany za pośrednictwem wypożyczalni. Postępuj zgodnie z instrukcjami w §4.1

1.2 Instrukcje bezpieczeństwa

-  Należy korzystać wyłącznie z akcesoriów zatwierdzonych przez firmę Vermeiren.
-  Przed wsiadaniem lub zsiadaniem ze skutera, jego demontażem albo transportowaniem wyłącz zapłon kluczykiem.
-  Podczas transportu skuter nie można przenosić razem z nim żadnej osoby.
-  Sprawdź wpływ zmiany środka ciężkości skutera na jego właściwości jezdne (np. podczas jazdy po pochyłych nawierzchniach, przy bocznych przechyłach lub po nierównym terenie).
-  Nie należy jeździć po drogach o dużym natężeniu ruchu ulicznego ani po błotnistych, żwirowych, nierównych, wąskich, zaśnieżonych, pokrytych lodem drogach, a także po nieogrodzonych ścieżkach wzdłuż brzegu rzeki.
-  Trzymać z dala od miejsc, gdzie mogą zakleszczyc się kola.
-  Uważaj, aby części odzieży nie zetknęły się z kołami.
-  Podnosząc obiekty znajdujące się z przodu, z boku lub za skuterem, należy uważać, aby nie wychylać się za bardzo na bok: grozi to przewróceniem się.
-  Podczas poruszania się po powierzchniach pochyłych nie należy korzystać z trybu wolnych kół.
-  Nie wolno zawracać pod górę.
-  Na zakrętach należy ograniczyć prędkość.
-  Nie używać skutera na schodach.
-  Podczas jazdy należy trzymać uchwyty obiema rękami.
-  Podczas jazdy trzymaj nogi i stopy na przeznaczonych do tego powierzchniach.
-  Skutera nie należy używać podczas opadów śniegu, mgły lub silnego wiatru.
-  Przechowując lub parkując skuter na zewnątrz, należy go przykryć, aby zabezpieczyć przed wilgocią.
-  Wysoki poziom wilgotności lub bardzo niska temperatura mogą negatywnie wpłynąć na działanie skuter.
-  Należy używać skutera zgodnie z przepisami. Należy unikać bezpośredniego wjeżdżania na przeszkody (np. stopień, krawędź krawężnika) lub zjeżdżania z wysokich występów.
-  Podczas jazdy po drogach publicznych należy stosować się do przepisów ruchu drogowego. Proszę wziąć pod uwagę innych użytkowników drogi.
-  Podobnie jak w przypadku innych pojazdów, skuterem nie wolno jeździć pod wpływem alkoholu. Dotyczy to również jazdy wewnątrz pomieszczeń.
-  Podczas jazdy na zewnątrz należy dostosować się do warunków pogodowych i drogowych.
-  Podczas jazdy w ciemności należy mieć na sobie jaskrawe ubranie lub elementy odbłaskowe, aby być bardziej widocznym, oraz sprawdzić, czy reflektory skutera są dobrze widoczne i włączyć je przed jazdą.
-  Należy sprawdzić, czy światła skuter są wolne od zabrudzeń i/lub innych przedmiotów, które mogłyby je ukrywać.
-  Nigdy nie należy używać skuter jako siedzenia w pojeździe mechanicznym.
-  Należy sprawdzić, czy głębokość profilu opon jest właściwa.
-  Jeżeli elektryczny skuter jest wyposażony w opony pneumatyczne, należy je właściwie napompować (*patrz wskazanie ciśnienia na oponach*) dla optymalnego układu kierowniczego i stabilności skutera.
-  Należy uważać, aby nie przekraczać maksymalnego obciążenia skutera.
-  Nie należy nadmiernie obciążać koszyka na zakupy. Maksymalne obciążenie koszyka na zakupy wynosi 5 kg.
-  W trakcie ładowania zalecanie jest nieużywanie listew zasilających oraz przedłużaczy. Ładowarka powinna być podłączona bezpośrednio do gniazdka. Nie zalecamy ładowania baterii z podłączonym wyłącznikiem czasowym.



1.3 Parametry techniczne

Parametry techniczne podane poniżej dotyczą skutera w konfiguracji standardowej oraz przy optymalnych warunkach otoczenia. Jeśli używane są inne akcesoria, zestawienia wartości w tabelach ulegną zmianie. Zmiany temperatury na zewnątrz, wilgotności, nachylenia podłoża, gleby oraz poziomu akumulatorów mogą pogorszyć wydajność.

Marka	Vermeiren	
Adres	Vermeirenplein 1/15, B-2920 Kalmthout	
Typ	Skutery z napędem na tylne koło, klasa B	
Maksymalna waga użytkownika	140 kg	
Model	Eris	
Opis	Wymiary	
Maksymalna szybkość	6 km/h	10 km/h
Zasięg przy jeździe bez zatrzymań*	35 km (akumulatory 38 Ah) 45 km (akumulatory 50 Ah)	29 km (akumulatory 38 Ah) 37 km (akumulatory 50 Ah)
Długość	1185 mm	
Szerokość	570 mm	
Wysokość	1150 mm	
Szerokość siedziska	435 mm	
Długość po złożeniu / demontażu	950 mm	
Szerokość po złożeniu / demontażu	570 mm	
Wysokość po złożeniu / demontażu	600 mm (wymontowane siedzisko; złożony moduł kierowniczy)	
Waga całkowita	75 kg	
Waga najcięższej części (którą można zdemontować lub zdjąć)	57 kg (bez siedziska) lub 46 kg (bez siedziska i akumulatorów)	
Waga części, które można zdemontować lub zdjąć.	Siedzisko: 11 kg; Akumulatory: 26,5 kg	
Stabilność statyczna przy pochyłości	9°	
Stabilność statyczna pod górę	9°	
Stabilność statyczna w poprzek	9°	
Stabilność dynamiczna	6°	
Maks. bezpieczne nachylenie	6°	
Prześwit	50 mm (zabezpieczenie przed przewróceniem)	
Zdolność pokonywania przeszkód	75 mm	
Kąt nachylenia siedziska	6°	
Głębokość użytkowa siedziska	360 mm	
Wysokość przedniej krawędzi siedziska (mierzona od ziemi)	595 mm - 645 mm	
Wysokość przedniej krawędzi siedziska (mierzona od podnóżka)	450 mm - 500 mm	
Wysokość podnóżka	145 mm	
Kąt nachylenia oparcia	25°	
Wysokość oparcia	340 mm	
Odległość poduszka podłokietnika od siedziska	180 mm	
Przednia pozycja podłokietnika	270 mm	
Silnik	Nom. 320 Watt, hamulce elektromagnetyczne	
Akumulatory	38 Ah	50 Ah
Moduł sterujący	70 A	



Marka	Vermeiren	
Adres	Vermeirenplein 1/15, B-2920 Kalmthout	
Typ	Skutery z napędem na tylne koło, klasa B	
Maksymalna waga użytkownika	140 kg	
Model	Eris	
Opis	Wymiary	
Napięcie nominalne (akumulatora)	2 x 12V ---	
Stopień ochrony	IPX4	
Ładowarka akumulatorów	6 amperów (zewnętrzna)	8 amperów (zewnętrzna)
Złącza USB	Nie	
Klasa zabezpieczeń ładowarki akumulatorów	IPx1	
Klasa izolacji ładowarki akumulatorów	II	
Minimalna średnica skrętu	2900 mm	
Szerokość zawracania	2900 mm	
Średnica tylnych kół (liczba)	3.00-4 napompowane (2)	
Ciśnienie w oponach, koła tylne (napędowe)	Maksymalnie 3,5 bara	
Średnica kół skrętnych (ilość)	3.00-4 napompowane (2)	
Ciśnienie w oponach, koła skrętne	Maksymalnie 3,5 bara	
Kierownica	Dźwignia regulacji prędkości	
Oświetlenie	Seryjne	
Kierunkowskazy	Seryjne	
Lusterko	Opcjonalne	
Temperatura przechowywania i użytkowania	+5 °C do +40 °C	
Temperatura robocza części elektronicznych	-10°C do +40°C	
Wilgotność powietrza do przechowywania i użytkowania	30%	
Przetestowane i spełnia wymagania	ISO 7176-14:2008	
Odporność na zapłon wg.	EN1021-2	
<p>Producent zastrzega sobie prawo do wprowadzania zmian parametrów technicznych. Tolerancja pomiarów ± 15 mm / 1,5 kg / 1,5 °.</p> <p>* Teoretyczna wartość zasięgu jest mniejsza, jeżeli skuter jest często używany na pochyłych nawierzchniach, nierównym podłożu lub w celu podjechania pod krawężniki. Maksymalny zasięg skutera jest testowany zgodnie z normą ISO 7176-4.</p>		

Tabela 1: Parametry techniczne

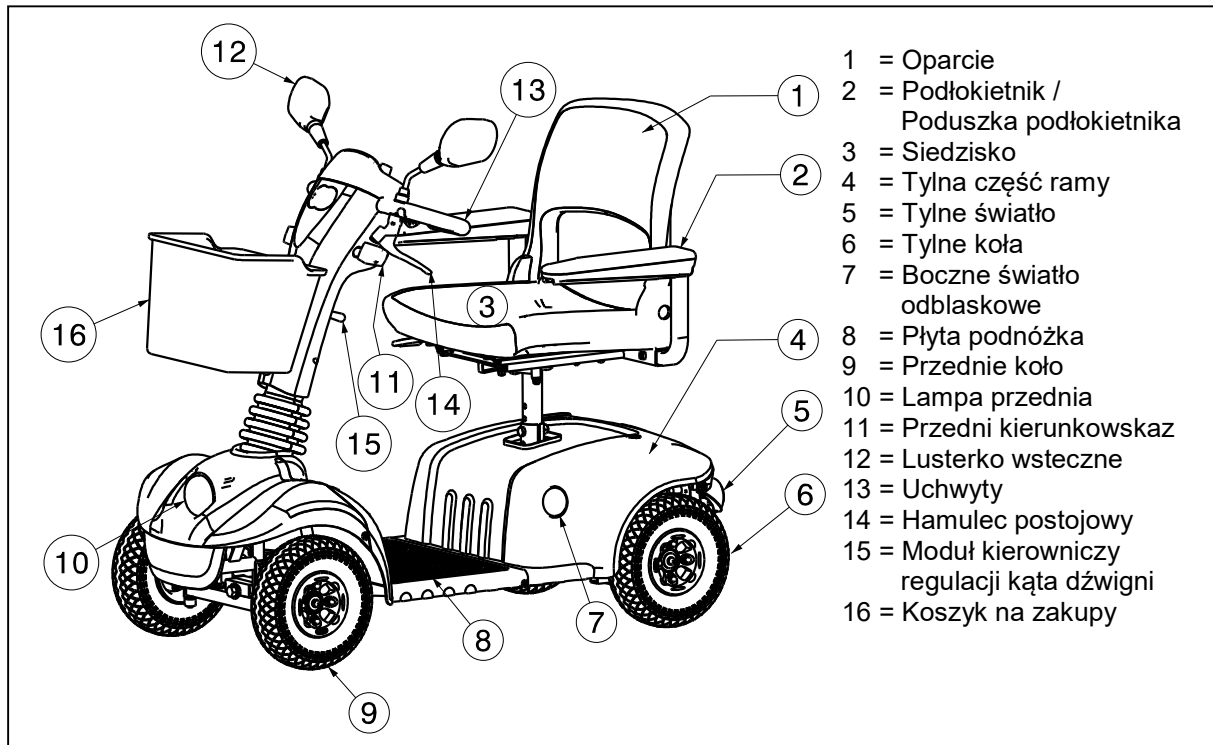
1.4 Akcesoria

Dla modelu Eris są dostępne następujące akcesoria:

⚠ OSTRZEŻENIE: Ryzyko urazu – należy upewnić się, czy uchwyt na kule są odpowiednio zamocowane oraz że nie spadną na użytkownika.

- Uchwyt na kule
- Scooterpac
- Plastikowy kufer
- Uchwyt na balkonik

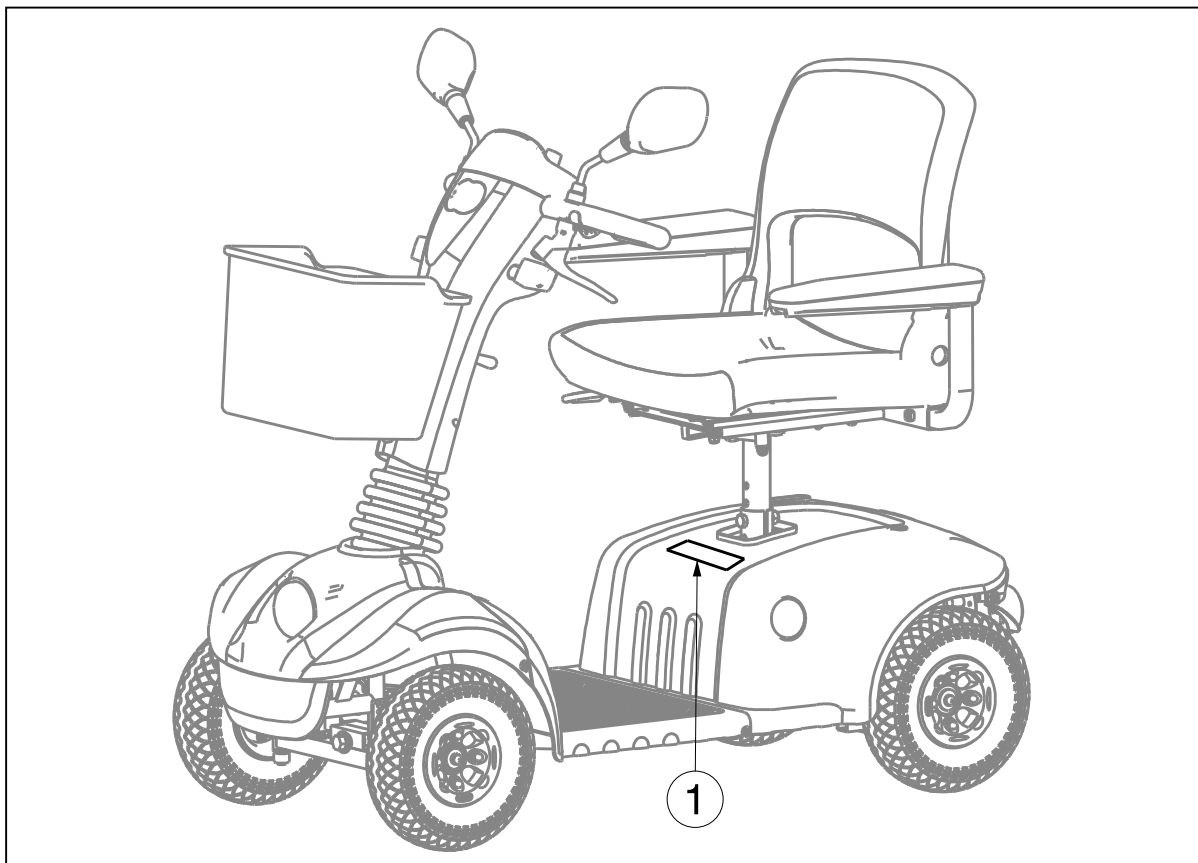
1.5 Elementy składowe



PL

1.6 Położenie tabliczki znamionowej

Lokalizacja tabliczki znamionowej ① jest podana na tylną pokrywę plastikową. Została ona również umieszczona na spodzie pokrywy akumulatora.



1.7 **Objaśnienie symboli**



Waga maksymalna



Możliwość użytkowania na zewnątrz



Użycie wewnątrz budynków (ładowarka akumulatorów)



Oddzielna regeneracja i recykling urządzeń elektrycznych i elektronicznych (ładowarka akumulatorów)



Klasa zabezpieczeń II



Maks. bezpieczne nachylenie



Deklaracja CE



Prędkość maksymalna



Nie nadaje się do użytku jako fotel w pojeździe silnikowym



Oznaczenie typu



Ostrzeżenie: niebezpieczeństwo uwięzienia dłoni/palców

1.8 **Oczekiwany okres użytkowania**

Przeciętny okres użytkowania skutera to 5 lat. Ten czas może być dłuższy lub krótszy, zależnie od częstotliwości korzystania, warunków jazdy i konserwacji.

2 Zastosowanie

W niniejszym rozdziale opisano normalne użytkowanie roweru rehabilitacyjnego trójkołowego. **Instrukcje te są przeznaczone dla użytkownika oraz wyspecjalizowanego sprzedawcy.**

Skuter jest dostarczany klientowi po złożeniu przez wyspecjalizowanego sprzedawcę. Instrukcje montażu skuter przeznaczone dla wyspecjalizowanego sprzedawcy zawiera § 3.

2.1 Uwagi dotyczące kompatybilności elektromagnetycznej (EMC)

Skuter został poddany testom na podstawie normy ISO 7176-21.

Pragniemy zwrócić uwagę, że źródła fal elektromagnetycznych (np. telefony komórkowe) mogą powodować zakłócenia. Części elektroniczne skutera mogą także oddziaływać na inne urządzenia elektryczne.

Aby ograniczyć zakłócenia powodowane przez źródła fal elektromagnetyczne, należy przeczytać poniższe ostrzeżenia:

- ⚠ OSTRZEŻENIE:** Skuter może zakłócać działanie znajdujących się w pobliżu urządzeń, które emitują pole elektromagnetyczne.
- ⚠ OSTRZEŻENIE:** Pola elektromagnetyczne (np. prądnice lub źródła wysokiej mocy) mogą wpływać na działanie skutera.
- ⚠ OSTRZEŻENIE:** Podczas gdy skuter jest włączony, nie należy korzystać z przenośnych odbiorników telewizyjnych i radiowych w jego bezpośrednim otoczeniu.
- ⚠ OSTRZEŻENIE:** Podczas gdy skuter jest włączony, nie należy korzystać z nadajników-odbiorców ani telefonów komórkowych w jego bezpośrednim otoczeniu.
- ⚠ OSTRZEŻENIE:** Nie należy używać skutera w pobliżu masztów nadawczych.
- ⚠ OSTRZEŻENIE:** W przypadku wystąpienia niezamierzonych ruchów lub hamowania należy wyłączyć skuter natychmiast, gdy warunki będą na to pozwalać.

Pola elektromagnetyczne powodujące zakłócenia mogą negatywnie wpływać na systemy elektroniczne znajdujące się w skuterze. W tym powodować:

- Rozłączenie hamulca silnika
- Niekontrolowane działanie skutera
- Niezamierzony ruch wózka

W przypadku obecności bardzo silnych lub długotrwałych pól, które powodują zakłócenia, systemy elektroniczne mogą nawet całkowicie się zepsuć lub ulec trwałemu uszkodzeniu.

Możliwe źródła promieniowania to:

- Przenośne systemy odbiorników i nadajników (odbiornik i nadajnik z przymocowaną bezpośrednio do jednostki nadawczej anteną)
 - Zestawy nadajników i odbiorników
 - Telefony komórkowe lub krótkofalówki
 - Przenośne odbiorniki telewizyjne i radiowe oraz urządzenia nawigacyjne
 - Inne osobiste urządzenia nadawcze
- Przenośne urządzenia nadawcze i odbiorcze o średnim zasięgu (np. anteny samochodowe zamontowane na zewnątrz pojazdu)
 - Przymocowane zestawy nadajników i odbiorników
 - Przymocowane przenośne urządzenia nadawcze i odbiorcze
 - Przymocowanie odbiorniki radiowe i telewizyjne oraz urządzenia nawigacyjne
- Urządzenia nadawcze i odbiorcze dalekiego zasięgu
 - Wieże radiowe i telewizyjne
 - Amatorskie zestawy radiowe

Inne urządzenia domowe, takie jak odtwarzacze CD, komputery przenośne, słuchawki bezprzewodowe, radia AM/FM, golarki elektryczne oraz suszarki nie będą wpływały na działanie skutera pod warunkiem, że działają one prawidłowo, a ich przewody są w idealnym stanie. Aby zapewnić bezawaryjne działanie skutera, należy zapoznać się z instrukcją obsługi dołączoną do tych urządzeń elektrycznych.

1. Gdy pojazd jest włączony nie należy używać przenośnych nadajników-odbiorników (np. radia CB) ani włączać osobistych urządzeń komunikacyjnych, takich jak telefony komórkowe.
2. Nie należy używać skutera w pobliżu nadajników, takich jak nadajniki radiowe lub telewizyjne;
3. W przypadku wystąpienia niezamierzonych ruchów lub hamowania należy wyłączyć skuter natychmiast, gdy warunki będą na to pozwalać;
4. Należy pamiętać, że dodatkowe akcesoria lub elementy, a także modyfikacje pojazdu mogą zwiększyć jego podatność na zakłócenia elektromagnetyczne (Uwaga: nie ma prostego sposobu na oszacowanie ich wpływu na działanie pojazdu);

Natężenie zakłóceń fal elektromagnetycznych można zmierzyć w voltach na metr (V/m). Każdy pojazd elektryczny jest odporny na wpływ zakłóceń elektromagnetycznych do określonego natężenia. Nazywa się to „poziomem odporności”. Im wyższy jest poziom odporności, tym lepsza jest ochrona. Obecnie bieżąca technologia umożliwia uzyskanie poziomu odporności co najmniej 20 V/m, co zapewnia skuteczną ochronę przed większością znanych źródeł zakłóceń elektromagnetycznych. Poziom odporności w tym modelu pojazdu elektrycznego w fabrycznym stanie, bez żadnych modyfikacji ani akcesoriów wynosi 20 V/m.

2.2 Przenoszenie skutera

Najlepszym sposobem na przeniesienie skutera jest wykorzystanie jego trybu neutralnego. Wybierz położenie neutralne skutera i przesuń go w pożądane miejsce.

Jeśli nie jest to możliwe, skuter można przenieść, wykonując poniższe czynności:

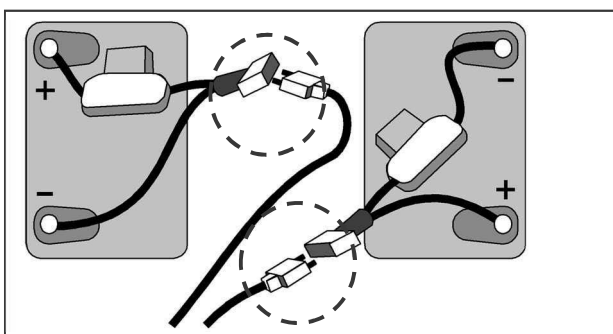
1. Wyłącz skuter.
2. Wymontuj luźne elementy (siedzisko i akumulatory).
3. Wymontowane elementy należy przechowywać w bezpiecznym miejscu.
4. Przenieś ramę oraz moduł kierowniczy w pożądane miejsce przy pomocy 2 lub 3 osób. Ramę należy podnosić, trzymając za podwozie, a nie za zderzaki lub części plastikowe. Trzymać wyłącznie za stałe elementy ramy.

2.3 Montaż i demontaż skutera

- ⚠ **OSTRZEŻENIE:** Ryzyko urazu – należy upewnić się, że wszystkie elementy ruchome są prawidłowo zamontowane.
- ⚠ **OSTRZEŻENIE:** Ryzyko urazu — montaż i demontaż może być wykonywany tylko przez przeszkolony personel (np. sprzedawcę specjalistycznego).
- ⚠ **OSTRZEŻENIE:** Ryzyko urazu – należy uważać, aby nie skaleczyć się przewodami.
- ⚠ **OSTRZEŻENIE:** Ryzyko urazu – przed przystąpieniem do demontażu należy wyłączyć skuter.
- ⚠ **PRZESTROGA:** Ryzyko przyszczyknięcia – nie należy wkładać palców pomiędzy elementy skutera.

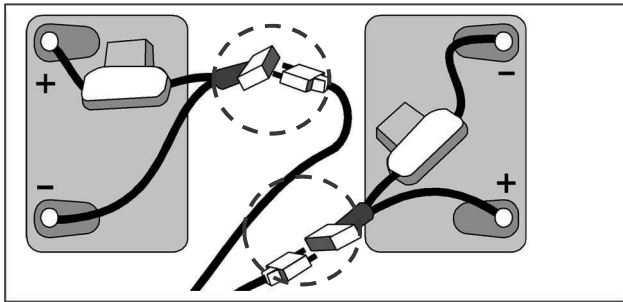
W celu dokonania demontażu należy postępować zgodnie z poniższymi zaleceniami:

- Wyłącz skuter.
- Wymontuj siedzisko (patrz rozdział „Regulacja siedziska”).
- Podnieś tylną pokrywę akumulatorów z tworzywa sztucznego.



- Poluzuj pasy mocujące akumulatory na miejscu.
- Odłącz wszystkie wtyczki (oprócz złącz biegunów), przewody i złącza akumulatora.
- Wyciągnij akumulatory.
- Złóż moduł sterujący.

W celu ponownego zmontowania należy postępować zgodnie z poniższymi zaleceniami:

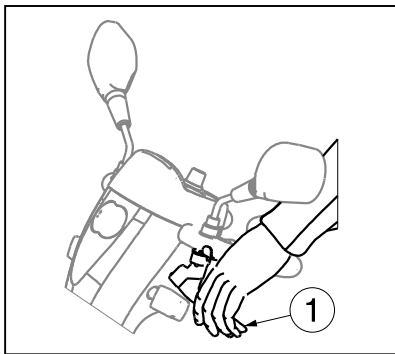


- Rozłóż moduł sterujący.
- Zamontuj akumulatory i podłącz wtyki (należy je podłączyć zgodnie z ich kolorami).
- Za pomocą pasów przymocuj akumulatory w taki sposób, aby były nieruchomo nawet podczas jazdy.
- Zamontuj tylną pokrywę plastikową.
- Zamontuj siedzisko (patrz rozdział „Regulacja siedziska”).
-

2.4 Obsługa hamulców

Aby użyć hamulców elektromagnetycznych:

1. Zwolnij dźwignię prędkości lub jazdy. Zostanie włączony hamulec elektromagnetyczny w silniku, a skuter się zatrzyma.



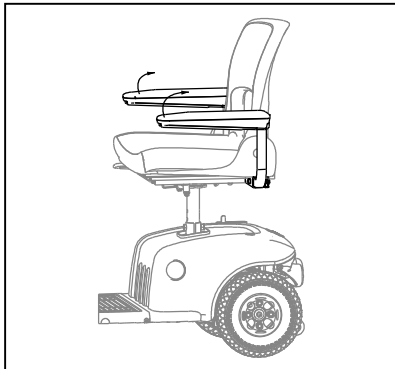
Aby użyć hamulca postojowego ręcznych (opcjonalne):

1. Pociągnij dźwignię hamulca ① w kierunku uchwytu.
2. Zwolnij dźwignię hamulca ①.

Siłę hamulca postojowego można wyregulować za pomocą elementu regulacyjnego linki hamulcowej.

2.5 Siadanie i wstawanie ze skutera

⚠ OSTRZEŻENIE: Ryzyko zranienia – należy wyłączyć skuter przed wsiadaniem i zsiadaniem na niego.



1. Ustaw skuter możliwie najbliżej miejsca, w którym chcesz się znaleźć.
2. Upewnij się, że panel sterowania (skutera) jest wyłączony.
3. Unieś w górę poduszkę podłokietnika po stronie wsiadania/zsiadania.
4. Wsiądź na skuter / zsiądź ze skutera.

2.6 Prawidłowa pozycja na skuterze

Zalecenia dotyczące wygodnego korzystania ze skutera:

1. Plecy powinny znajdować się możliwie najbliżej oparcia.
2. Należy zwrócić uwagę, aby część udowa nóg była ustawiona poziomo.

2.7 Jazda skuterem

⚠ OSTRZEŻENIE: Ryzyko poparzenia — należy zachować ostrożność podczas prowadzenia wózka przy bardzo wysokich i niskich temperaturach, (na ostrym słońcu, mrozie, w saunie itp.) przez dłuższy czas i przy kontakcie ze skórą — powierzchnie mogą przyjmować temperaturę otoczenia.

⚠ OSTRZEŻENIE: Ryzyko dokonania nastaw zagrażających bezpieczeństwu - należy używać wyłącznie nastaw opisanych w niniejszej instrukcji.

⚠ OSTRZEŻENIE: Ryzyko zranienia – należy wyłączyć skuter przed wsiadaniem i zsiadaniem na niego.

2.7.1 Przygotowanie skutera do użytkowania

W przypadku korzystania ze skutera po raz pierwszy, należy upewnić się, że stoi na równym podłożu. Wszystkie koła muszą być w kontakcie z podłożem.

1. Przed pierwszą jazdą należy w pełni naładować akumulatory.
2. Upewnij się, że silnik jest włączony.
3. Ustaw moduł kierowniczy w najbardziej wygodnym dla siebie położeniu i upewnij się, czy jest on prawidłowo przymocowany.
4. Upewnij się, czy siedzisko zostało zablokowane w położeniu do jazdy.
5. Usiądź na siedzisku i sprawdź, czy oba podłokietniki są opuszczone, umożliwiając oparcie na nich rąk.
6. Włóż kluczyk i przekręć go w prawo, poczekaj około trzy sekundy zanim wciśniesz dźwignie gazu w przeciwnym wypadku na panelu sterowania może wyświetlić się błąd. W razie potrzeby włącz reflektory.
7. Sprawdź za pomocą kontrolki akumulatora, czy jest on wystarczająco naładowany. Jeśli nie, przed wyjazdem należy naładować akumulatory.

Za pomocą modułu sterowania należy ustawić prędkość na minimalną wartość. Skuter jest teraz gotowy do użycia. Wyższych wartości prędkości należy używać wyłącznie, gdy masz pewność, że potrafisz z łatwością obsługiwać i kontrolować skuter.

Przed jazdą skuterem w zatoczonych lub potencjalnie niebezpiecznych miejscach należy zapoznać się z działaniem skutera. Należy poćwiczyć obsługę na otwartej i szerokiej przestrzeni, takiej jak park.

2.7.2 Obsługa po użyciu

Przed zejściem ze skutera należy upewnić się, że wszystkie cztery koła dotykają podłoża.

Następnie przekręć kluczyk do położenia „OFF” (zgaśnie kontrolka ładowania), aby wyłączyć zintegrowane oświetlenie.

2.7.3 Postój skutera

Po wyłączeniu skutera nie można przekazać żadnych poleceń do systemu napędowego. Przed ponownym włączeniem skutera nie będzie można wyłączyć hamulców elektromagnetycznych. Skuter należy zawsze pozostawiać w miejscach dobrze chronionych lub o dużej widoczności.

2.7.4 Pierwsza jazda

⚠ OSTRZEŻENIE: Kontroluj działanie skutera – zapoznaj się z właściwościami jezdnyimi skutera.

⚠ OSTRZEŻENIE: Kontroluj działanie skutera – nie należy używać jednocześnie obu stron dźwigni prędkości. Może to spowodować utratę panowania nad skuterem.

⚠ OSTRZEŻENIE: Kontroluj działanie skutera, ryzyko urazu – nie należy dostosowywać prędkości podczas jazdy.

⚠ OSTRZEŻENIE: Ryzyko urazu – podczas cofania należy upewnić się, że za skuterem nie ma żadnych osób ani przeszkód.

- Jazda

Gdy usiądziesz na skuterze i uruchomisz go zgodnie z opisem powyżej, chwyć kierownicę oboma rękoma i pociągnij dźwignię szybkości w odpowiednim kierunku.

CIĄGNAĆ DZWIGNIE PRAWĄ REKĄ WYKONUJEMY RUCH DO PRZODU

CIĄGNAĆ DZWIGNIE LEWĄ REKĄ WYKONUJEMY RUCH DO TYŁU

Używając skutera wewnątrz pomieszczeń, nie należy wybierać maksymalnej wartości prędkości.

- Jazda po chodniku

Należy pamiętać, aby w przypadku jazdy skuterem po chodniku ustawić przełącznik ograniczenia w położeniu najmniejszej wartości. Maksymalna prędkość jazdy po chodniku zależy od przepisów danego kraju. Przed przystąpieniem do jazdy sprawdź przepisy w danym kraju.

Przełącznik ograniczenia można ustawić w położeniu największej wartości do jazdy po drodze lub terenie prywatnym.

- **Hamowanie**

Aby zahamować, należy puścić dźwignię prędkości/jazdy, co spowoduje jej powrót do położenia zerowego oraz zwolnienie skutera, aż do łagodnego zatrzymania. Należy przećwiczyć ruszanie i hamowanie, aby przyzwyczać się do działania skutera. Użytkownik musi umieć ocenić, jak zachowa się skuter podczas jazdy lub hamowania.

Nie należy wyłączać skutera kluczykiem podczas jazdy, ponieważ spowoduje to awaryjne zatrzymanie, które może prowadzić do wypadku i obrażeń ciała.

- **Pokonywanie zakrętów i łuków**

⚠ OSTRZEŻENIE: Ryzyko przewrócenia - przed wejściem w zakręt lub łuk należy ograniczyć prędkość.

⚠ OSTRZEŻENIE: Ryzyko przytrzaśnięcia - zawsze należy zachować odpowiednią odległość od zakrętów i przeszkód.

⚠ OSTRZEŻENIE: Ryzyko przewrócenia – nie wolno jeździć pojazdem zygzakiem ani wykonywać gwałtownych skrętów.

Podczas pokonywania zakrętów i łuków należy trzymać kierownicę obiema rękami, aby obrócić ją w pożądanym kierunku. Przednie koła skracają zgodnie z ruchem kierownicy, co spowoduje skierowanie skutera w nowym kierunku. Należy koniecznie upewnić się, że wózek ma wystarczająco miejsca, aby pokonać zakręt lub łuk. Wąskie przejścia należy pokonywać dużym łukiem, aby wejść prosto w ich w najwęższą część. Należy pamiętać, że w większości przypadków tylna część skutera będzie zachodziła szerzej od przedniej części.

Nie należy wchodzić w zakręty i łuki na ukos. „Ścięcie zakrętu” może spowodować uderzenie tylnych kół o przeszkodę, a w rezultacie utratę stabilności skutera.

2.7.5 Jazda do tyłu

⚠ OSTRZEŻENIE: Kontroluj działanie skutera – zapoznaj się z właściwościami jezdnyymi skutera.

⚠ OSTRZEŻENIE: Ogranicz prędkość - zawsze należy poruszać się do tyłu jak najwolniej.

⚠ OSTRZEŻENIE: Ryzyko kolizji - podczas poruszania się do tyłu zawsze patrz za siebie.

Jazda do tyłu wymaga zwiększonej koncentracji oraz ostrożności (OBSŁUGA LEWĄ RĘKĄ). Z tego względu znacznie ograniczyliśmy prędkość wózka podczas ruchu do tyłu w porównaniu z jazdą do przodu. Mimo to w trakcie jazdy do tyłu zalecane jest ograniczenie prędkości do minimum.

Należy pamiętać, że kierunek skrętu podczas jazdy do tyłu jest odwrotny niż w przypadku jazdy do przodu, oraz że skuter skróci w wybranym kierunku.

2.7.6 Jazda pod górę

⚠ OSTRZEŻENIE: Kontroluj działanie skutera – zapoznaj się z właściwościami jezdnyymi skutera.

⚠ OSTRZEŻENIE: Kontroluj działanie skutera – nigdy nie należy wybierać położenia neutralnego skutera na pochyłym podłożu.

⚠ OSTRZEŻENIE: Ogranicz prędkość – na powierzchniach pochyłych nie należy rozwijać nadmiernej prędkości.

⚠ OSTRZEŻENIE: Ryzyko przewrócenia - nie należy przekraczać maksymalnego stopnia stabilności statycznej pod górę (patrz rozdział "Parametry techniczne")

⚠ OSTRZEŻENIE: Nie wolno zawracać pod górę.

Pozycja siedząca podczas jazdy w górę

- Dostosuj głębokość siedziska i kąt oparcia, aby usiąść w najbardziej wysuniętej do przodu pozycji, patrz rozdział §3.4 i §3.5 w celu regulacji.
- Zawsze pochylaj się do przodu, gdy wjeżdżasz się po stromym zboczu.

Zawsze należy podjeżdżać do powierzchni pochyłych od przodu i, aby uniknąć przewrócenia, sprawdzać, czy wszystkie cztery koła cały czas dotykają podłoża (podjazdy itd.). Podczas pokonywania wzniesień o dużym nachyleniu zawsze wychylaj się do przodu. Skuter jest napędzany przez mechanizm różnicowy. Z tego względu obydwie koła napędowe powinny cały czas dotykać podłoża. Jeżeli jedno z kół napędowych przestanie dotykać podłoża, urządzenie zabezpieczające odłączy przesył energii do kół, co spowoduje zatrzymanie skutera.

Jeżeli podczas jazdy po powierzchni pochyłej nastąpi zatrzymanie skutera na skutek zwolnienia dźwigni prędkości, hamulec silnika zapobiegnie stoczeniu się skutera do tyłu. Gdy dźwignia powróci do położenia zerowego, włączy się hamulec silnika.

Aby wznowić jazdę pod górę, popchnij dźwignię prędkości do położenia końcowego w celu zapewnienia odpowiedniej mocy. Umożliwi to powolne pokonanie wzniesienia.

Jeżeli skuter nie podjeżdża pod górę, zwiększ prędkość i spróbuj ponownie.

Podczas jazdy po pochyłej powierzchni wskaźnik akumulatora może poruszać się w górę i w dół. To normalne zjawisko i nie należy się tym przejmować.

2.7.7 Jazda w dół

- ⚠ OSTRZEŻENIE:** Kontroluj działanie skutera – zapoznaj się z właściwościami jezdnyymi skutera.
- ⚠ OSTRZEŻENIE:** Kontroluj działanie skutera – nigdy nie należy wybierać położenia neutralnego skutera na pochyłym podłożu.
- ⚠ OSTRZEŻENIE:** Ogranicz prędkość – na powierzchniach pochyłych należy poruszać się jak najwolniej.
- ⚠ OSTRZEŻENIE:** Ryzyko przewrócenia - należy unikać ostrych zakrętów.
- ⚠ OSTRZEŻENIE:** Ryzyko przewrócenia - nie należy przekraczać maksymalnego stopnia stabilności statycznej w dół (patrz rozdział "Parametry techniczne").

Pozycja siedząca podczas jazdy w dół

- Dostosuj głębokość siedziska i kąt oparcia, aby usiąść w najbardziej wysuniętej do tyłu pozycji, patrz rozdział §3.4 i §3.5 w celu regulacji.
- Zawsze pochylaj się do przodu, gdy wjeżdżasz się po stromym zboczu.

Zawsze należy zjeżdżać z powierzchni pochyłych przodem. Podjeżdżanie na ukos może spowodować, że niektóre koła przestaną dotykać podłoża (niebezpieczeństwo przewrócenia). Jeżeli jedno z tylnych kół nie dotyka podłoża, przesył energii zostanie odłączony, co spowoduje zatrzymanie skutera.

Waga skutera zwiększa jego prędkość podczas jazdy w dół. Należy dostosować prędkość do warunków.

Należy unikać ostrych zakrętów znajdujących się na powierzchniach pochyłych. Podczas pokonywania zakrętów waga skutera może spowodować jego przechylenie się na jedną stronę lub nawet przewrócenie się.

2.8 Wjeżdżanie skuterem na podjazdy

- ⚠ OSTRZEŻENIE:** Ryzyko urazu - nie należy przekraczać maksymalnego obciążenia podjazdów.
- ⚠ OSTRZEŻENIE:** Ryzyko urazu — należy wybierać odpowiednie podjazdy, aby uniknąć urazów i uszkodzeń.
- ⚠ OSTRZEŻENIE:** Ryzyko urazu – należy pamiętać, że znacząca waga elektrycznego skutera powoduje powstanie dużej siły wstecznej, gdy osoba pomagająca pcha skuter na podjeździe.

⚠ OSTRZEŻENIE: Ryzyko urazu - należy upewnić się, że koła są wystarczająco wysokie, aby pokonać wysokość użytkową podjazdu. Rama skutera nie może dotykać podjazdu.

W przypadku korzystania z podjazdów w celu pokonania przeszkody, należy pamiętać o następujących kwestiach:

1. Należy dowiedzieć się od producenta, jakie jest maksymalne obciążenie podjazdów.
2. Należy wjeżdżać na podjazdy jak najwolniej.
3. Patrz instrukcje w rozdziale "pierwsze użycie".

2.9 Pokonywanie przeszkód

⚠ OSTRZEŻENIE: Ryzyko obrażeń w wyniku niespodziewanych manewrów

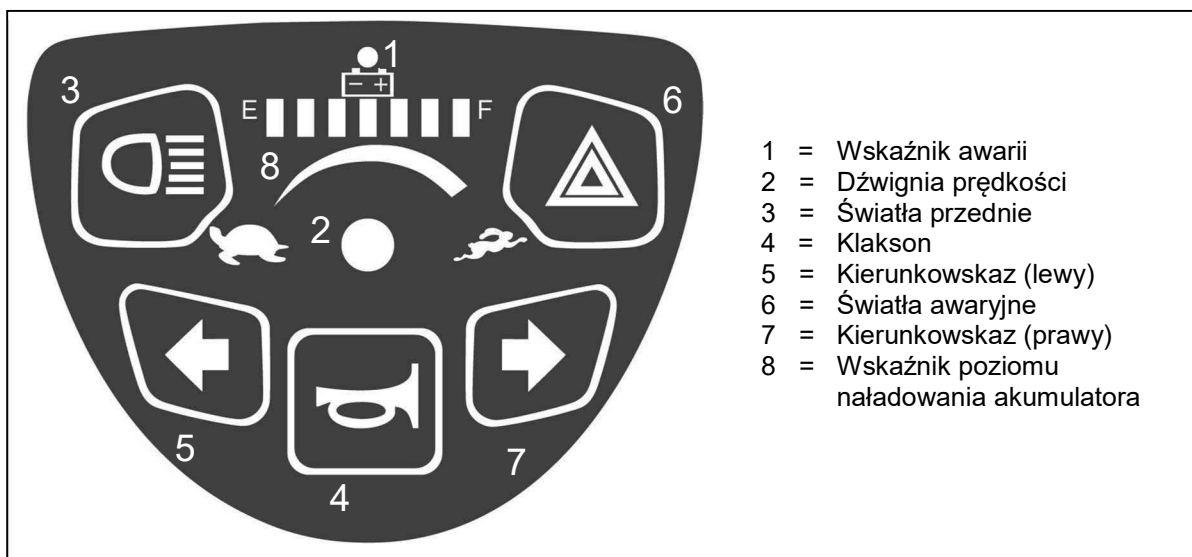
- Nie używać skutera na schodach ruchomych.
- **NIE** jeździć po wzniesieniach, przeszkodach, stopniach i krawężnikach, których rozmiar jest większy niż opisany w danych technicznych w rozdziale §1.3.
- Najeżdżać na krawężnik zawsze przodem.
- Podczas jazdy pod górę lub w dół upewnić się, że wszystkie koła dotykają ziemi.

⚠ PRZESTROGA: Ryzyko uszkodzenia

Jeśli jest to konieczne, lekko się rozpędzić przed najechaniem na przeszkodę lub krawężnik. Unikać sytuacji, w której kierowca lub skuter spotyka się z silnym odbiciem.

2.10 Moduł sterowania

- Włącz skuter kluczykiem, poczekaj około trzy sekundy zanim wciśniesz dźwignię gazu w przeciwnym wypadku na panelu sterowania może wyświetlić się błąd.
- Zapali się wskaźnik poziomu naładowania akumulatora ⑧, przedstawiając bieżący poziom naładowania akumulatorów.
- Teraz wybierz wymaganą prędkość jazdy za pomocą dźwigni regulacji prędkości ②.
- Pociągnąć dźwignię jazdy palcami do tyłu (prawa dźwignia powoduje jazdę do przodu, a lewa do tyłu).
- Aby wyemitować sygnał dźwiękowy, naciśnij klakson ④.
- Przednie i tylne światła można włączyć, naciskając przycisk świateł ③.
- Aby włączyć światła awaryjne, naciśnij przycisk ⑥.
- Aby włączyć kierunkowskaz, naciśnij odpowiedni przycisk ⑤ i ⑦ (lewy = lewy kierunkowskaz, prawy = prawy kierunkowskaz).
- Aby zatrzymać skuter, zwolnij dźwignię prędkości w module sterowania.



Firma Vermeiren jest odpowiedzialna za zmiany w oprogramowaniu. W celu wykonania zmian w oprogramowaniu należy skontaktować się z firmą Vermeiren.

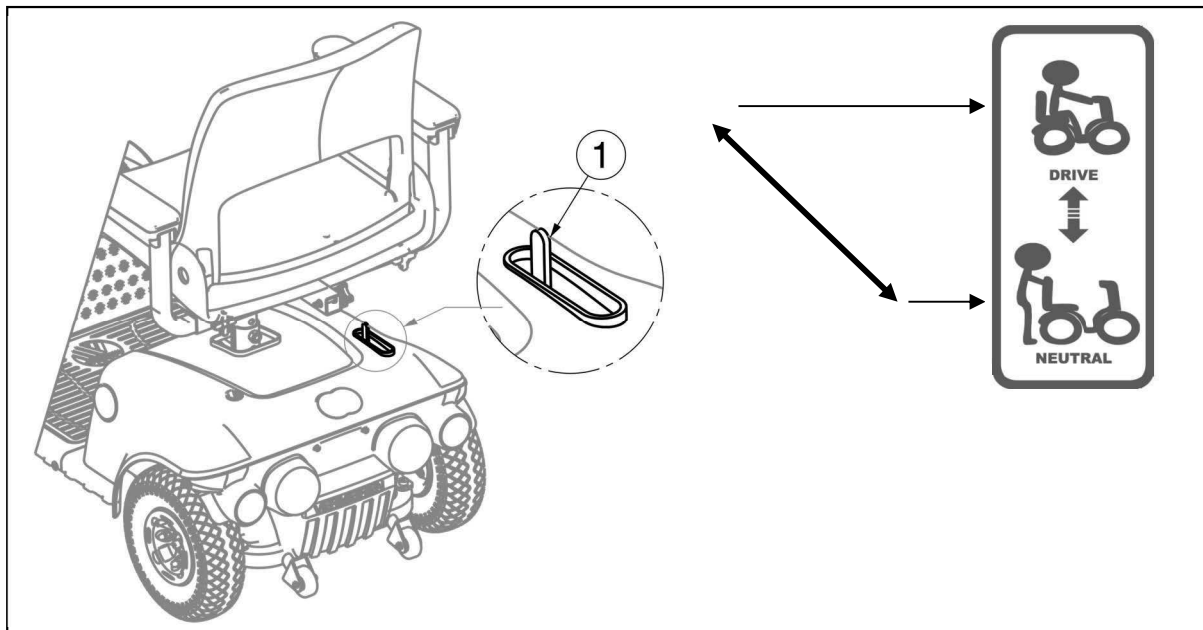
2.11 Położenie Neutralne

- ⚠ OSTRZEŻENIE:** Kontroluj działanie skutera – nigdy nie należy wybierać położenia neutralnego skutera podczas jazdy.
- ⚠ OSTRZEŻENIE:** Kontroluj działanie skutera – nigdy nie należy wybierać położenia neutralnego skutera na pochyłym podłożu. Może on przypadkowo się stoczyć.
- ⚠ OSTRZEŻENIE:** Ryzyko urazu – nigdy nie należy wybierać napędu elektronicznego przed wyłączeniem silnika/przekładni, aby zapobiec przegrzaniu silnika.

Skuter jest wyposażony w mechanizm wolnego biegu, który może obsługiwać osoba pomagająca lub użytkownik, gdy nie zajmuje miejsca na skuterze. Podczas transportu skutera lub wyprowadzania go ze strefy zagrożenia należy zawsze wybrać położenie neutralne.

Wybierz położenie neutralne za pomocą dźwigni wyłączenia silnika ① w tylnej części skutera.

- Jazda
 1. Ustaw dźwignię wyłączenia silnika ① w położeniu do jazdy. Spowoduje to ponowne zazębienie silnika z przekładnią.
 2. Włącz skuter kluczykiem.
 3. Funkcja jazdy ze sterowaniem elektronicznym jest teraz możliwa.
- Położenie Neutralne
 1. Włącz skuter kluczykiem.
 2. Ustaw dźwignię wyłączenia silnika ① w położeniu neutralnym (patrz etykieta). Spowoduje to odłączenie silnika od przekładni.
 3. Teraz można popychać skuter bez napędu elektronicznego.



2.12 Transport

2.12.1 Samolotem

i Ponieważ skuter jest wyposażony w akumulator AGM, istnieje możliwość transportu skutera (w całości) przez samolot. Przed dokonaniem rezerwacji lotu skonsultuj się z liniami lotniczymi w celu uzyskania prawidłowych procedur obsługi.

Przed przekazaniem skutera personelowi lotniska, wyłącz zasilanie i jeśli to konieczne, wyjmij baterię ze skutera. Zobacz także rozdział §3.11 dotyczący wymiany baterii.

2.12.2 Samochodem

- ⚠ **NIEBEZPIECZEŃSTWO:** Ryzyko urazu – skuter nie nadaje się do użytku jako siedzenie w pojeździe mechanicznym jak wskazuje symbol na obrazku obok.
- ⚠ **OSTRZEŻENIE:** Ryzyko urazu – przed transportem należy wymontować wszystkie luźne elementy.
- ⚠ **OSTRZEŻENIE:** Ryzyko urazu – podczas transportu żadne osoby ani przedmioty nie mogą znajdować się pod skuterkem, stać na podnóżku ani siedzieć na skutercie.
- ⚠ **OSTRZEŻENIE:** Ryzyko urazu – należy upewnić się, że skuter jest prawidłowo przymocowany. Pozwoli to zapobiec urazom pasażerów podczas kolizji lub gwałtownego hamowania. Dzięki temu można uniknąć obrażeń u pasażerów podczas kolizji lub nagłego hamowania.
- ⚠ **OSTRZEŻENIE:** Ryzyko przyszczyknięcia – nie należy wkładać palców pomiędzy elementy skutera.



Najlepszym sposobem transportu skutera w samochodzie jest wjechanie nim do środka za pomocą podjazdu.

W przypadku braku doświadczenia we wjeżdżaniu za pomocą podjazdu można także włączyć tryb położenia neutralnego i wepchnąć skuter do samochodu za pomocą podjazdu.

Jeżeli skuter nie mieści się w całości do samochodu, aby go przetransportować należy wykonać następujące czynności:

1. Przed transportem wymontuj wszystkie luźne elementy (siedzisko itd.).
2. Wymontowane elementy należy przechowywać w bezpiecznym miejscu.
3. Jeśli jest to możliwe, wymontuj akumulatory/obudowy, aby zmniejszyć wagę
4. Złóż moduł kierowniczy za pomocą regulacji kąta nachylenia.
5. Włóż skuter do samochodu przy pomocy 2 lub 3 osób.
6. Odpowiednio przymocuj ramę skutera do pojazdu.

2.13 Funkcja automatyczne odłączenia zasilania

W celu uniknięcia przypadkowego rozładowania akumulatora skuter został wyposażony w funkcję automatycznego odłączenia zasilania. Gdy skuter jest włączony, bez wykonywania żadnych czynności zostanie automatycznie wyłączony. W razie wystąpienia takiej sytuacji wystarczy wyłączyć skuter i włączyć go ponownie, umożliwiając w ten sposób jego ponowne użytkowanie.

2.14 Ładowanie akumulatorów

- ⚠ **OSTRZEŻENIE** Ryzyko wystąpienia obrażeń i szkód w wyniku pożaru
- Należy używać wyłącznie akumulatora/akumulatorów i ładowarki, które zostały dostarczone z produktem. Używanie innego akumulatora lub ładowarki może być niebezpieczne (zagrożenie pożarowe).
- Informacje na temat wymiany tych komponentów można uzyskać u wyspecjalizowanego sprzedawcy.
- W żadnym wypadku nie należy otwierać akumulatora, ładowarki, kabli, wtyczek ani punktów połączeń, ani dokonywać w nich zmian!
- Ładowarka przeznaczona jest wyłącznie do ładowania akumulatora/akumulatorów dostarczonych wraz z skuterkem, a nie do ładowania innych akumulatorów.
- Należy chronić akumulator i ładowarkę przed ogniem, wysokimi temperaturami (> 50°C), wilgocią, słońcem, silnymi wstrząsami (np. W wyniku upuszczenia). **NIE WOLNO** używać akumulatora, jeśli takie zdarzenia wystąpiły.
- Akumulator należy ładować dostarczoną ładowarką, w dobrze wentylowanej części pomieszczenia, w miejscu niedostępnym dla dzieci.
- Do ładowania nie wolno używać przedłużaczy.

⚠ PRZESTROGA Ryzyko obrażeń

Akumulator może działać krócej lub dłużej, w zależności od sposobu użytkowania, terenu i warunków jazdy. Planując przejazd, należy wziąć pod uwagę stan naładowania akumulatora. Należy pamiętać o zasięgu, który zapewnia akumulator. Informacje techniczne na ten temat są podane w §1.3.

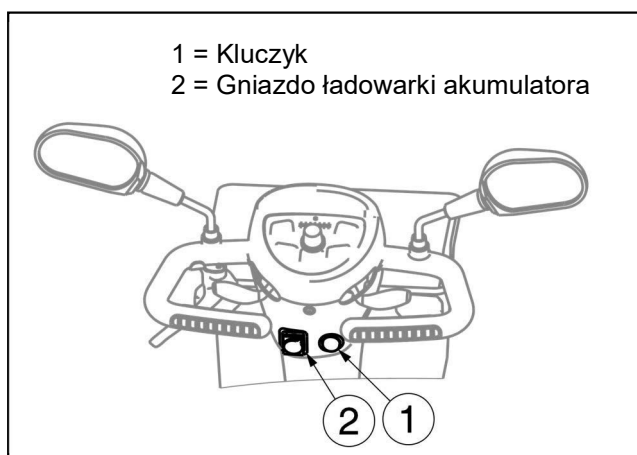
⚠ PRZESTROGA Ryzyko uszkodzenia akumulatora i/lub skrócenia okresu użytkowania akumulatora

- Przeczytaj instrukcję obsługi ładowarki i przestrzegaj wskazówek, które dotyczą bezpiecznego używania ładowarki.
- Jeśli skuter jest przez pewien czas przechowywany, zaleca się regularne ładowanie akumulatora (około raz w miesiącu).
- Nie przerywaj cyklu ładowania – poczekaj, aż ładowarka wskaże, że akumulator jest w pełni naładowany – patrz instrukcja obsługi ładowarki. Nie należy ładować akumulatora przez krótki czas. Uwaga: NIE dotyczy to akumulatorów litowych.
- Całkowite rozładowanie akumulatora może spowodować jego nieodwracalne uszkodzenie. Dlatego należy pamiętać o ładowaniu akumulatora we właściwym czasie.
- Okres użytkowania akumulatora ulegnie skróceniu, jeśli akumulator będzie przez dłuższy czas wystawiony na oddziaływanie bardzo niskich temperatur. Dokładne dane techniczne można znaleźć w §1.3.
- Sprawdź czy wszystkie punkty przyłączeniowe akumulatora i punkt przyłączeniowy w obudowie akumulatora są wolne od kurzu i innych zanieczyszczeń.
- Chroń akumulator przed źródłami silnego promieniowania elektromagnetycznego.

Przed pierwszym użyciem należy w pełni naładować nowy akumulator.

Diody LED w module kierowniczym wskazują poziom naładowania akumulatorów. Jeśli ładowarka jest włączona i nie świecą się diody LED, sprawdź bezpiecznik. Jeśli ładowarka jest włączona i nie świecą się diody LED, sprawdź bezpiecznik. Jeśli nie świeci się czerwona dioda LED, oznacza to uszkodzenie ładowarki. Skontaktuj się z wyspecjalizowanym sprzedawcą.

1. WYŁĄCZ skuter.
2. NAJPIERW podłącz ładowarkę do gniazda zasilania 230 V AC.
3. Otwórz pokrywę zabezpieczającą gniazdo ładowania (2).
4. Podłącz ładowarkę do akumulatora.
5. Objaśnienia dotyczące wskaźników ładowarki są podane w instrukcji obsługi ładowarki.
6. Gdy akumulator zostanie w pełni naładowany, odłącz go od ładowarki.
7. Wyjmij wtyczkę przewodu zasilającego ładowarki z gniazdka, poczekaj aż ładowarka ostygnie i umieść ją w suchym miejscu w celu przechowywania.
8. WŁĄCZ skuter i sprawdź, czy świecą się wszystkie kontrolki na wskaźniku stanu akumulatora.



i W przypadku wystąpienia problemów, w wyniku których nie można naładować akumulatora zgodnie z opisem podanym w instrukcji obsługi ładowarki, należy skontaktować się z wyspecjalizowanym sprzedawcą.

Jeśli na panelu jest wyświetlany kod błędu „Drive inhibit” (Blokada napędu) po zakończeniu ładowania sprawdź, czy ładowarka jest odłączona. To zabezpieczenie chroni przed ruszeniem, gdy ładowarka jest podłączona do sieci zasilającej.

3 Montaż i regulacja

Instrukcje zawarte w niniejszym rozdziale są przeznaczone dla użytkownika i wyspecjalizowanego sprzedawcy.

Aby uzyskać informację o odpowiednim punkcie serwisowym lub wyspecjalizowanym sprzedawcy, należy skontaktować się z najbliższym przedstawicielem firmy Vermeiren. Wykaz przedstawicieli firmy Vermeiren podano na ostatniej stronie.

- ⚠ **OSTRZEŻENIE: Ryzyko niebezpiecznych ustawień — należy używać wyłącznie ustawień opisanych w tej instrukcji obsługi.**
- ⚠ **OSTRZEŻENIE: Ryzyko przewrócenia – określone ustawienia w dopuszczalnym zakresie również mogą zmniejszyć stabilność skutera (odchylenie do tyłu lub na boki).**

3.1 Narzędzia

Do montażu skuter wymagane są następujące narzędzia:

- Zestaw kluczy nr 13, 17
- Zestaw kluczy imbusowych nr n° 6

3.2 Sposób dostawy

Skuter zawiera w zestawie:

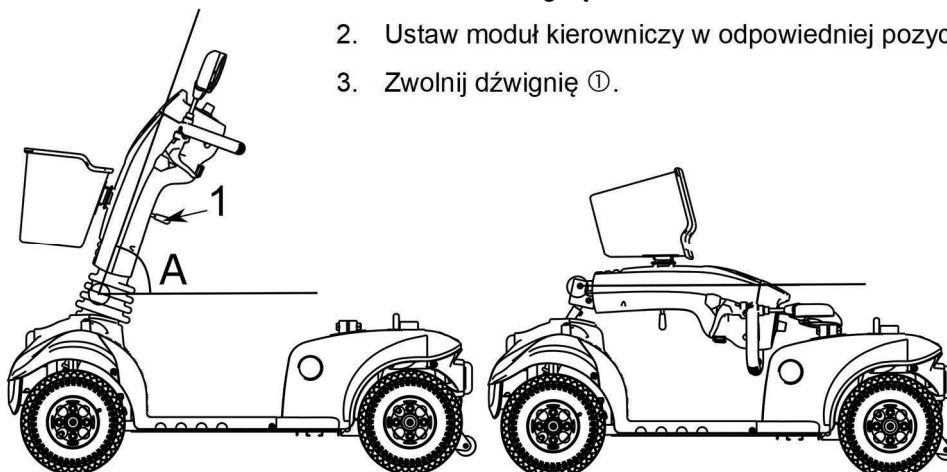
- 1 ramę z podłokietnikami, moduł kierowniczy, przednie i tylne koła
- Podnóżek
- Siedziska + oparcia
- Akumulatorów (2x), silnikiem
- Koszyk
- Lusterko wsteczne (2x)
- Hamulec postojowy
- Ładowarka akumulatora
- Akcesoria
- Instrukcja obsługi

3.3 Regulacja modułu kierowniczego

Zakres regulacji modułu kierowniczego umożliwia wybór wielu różnych pozycji (bezstopniowo), aby dopasować go do każdego użytkownika. Kąt kierownicy (A) jest regulowany pomiędzy 0° (poziomo, bez siedzenia) i 80° (położenie górne).

- ⚠ **OSTRZEŻENIE: Ryzyko urazu – nigdy nie wolno wykonywać regulacji kąta nachylenia podczas jazdy.**
- ⚠ **OSTRZEŻENIE: Ryzyko urazu – przed przystąpieniem do regulacji kąta nachylenia modułu kierowniczej należy wyłączyć skuter.**
- ⚠ **OSTRZEŻENIE: Ryzyko urazu – Nie opieraj się całym ciężarem ciała na modułu kierowniczej.**

1. Przesuń dźwignię ① w dół.
2. Ustaw moduł kierowniczy w odpowiedniej pozycji.
3. Zwolnij dźwignię ①.



3.4 Regulacja siedziska

⚠ OSTRZEŻENIE: Ryzyko urazu – nigdy nie wolno wykonywać żadnych regulacji podczas jazdy.

⚠ OSTRZEŻENIE: Ryzyko urazu – należy upewnić się, czy siedzisko jest prawidłowo zablokowane.

Wymontowanie siedziska (Rys. A)

1. Pociągnij dźwignię siedziska ① do góry.
2. Obróć siedzisko ② odrobine a następnie podnieś je z drążka wysokości ⑤.
3. Zwolnij dźwignię siedziska ①.

Blokowanie siedziska na miejscu (Rys. A)

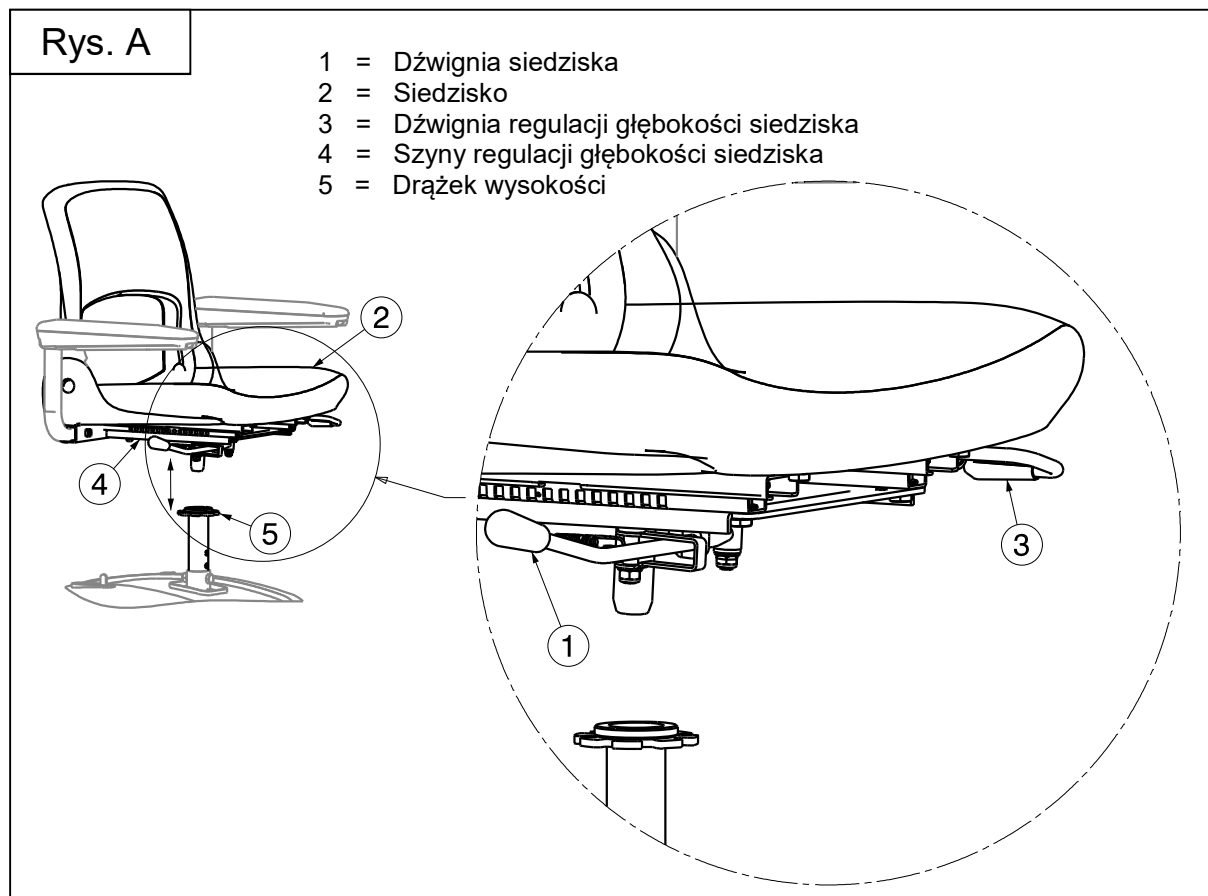
1. Pociągnij dźwignię siedziska ① do góry.
2. Umieść siedzisko ② na drążku regulacji ⑤ w tym samym czasie trzymaj dźwignie regulacji ① naciśniętą.
3. Zwolnij dźwignię siedziska ①.
4. Sprawdź, czy siedzisko jest odpowiednio zamontowane.

Obracanie siedziska (Rys. A)

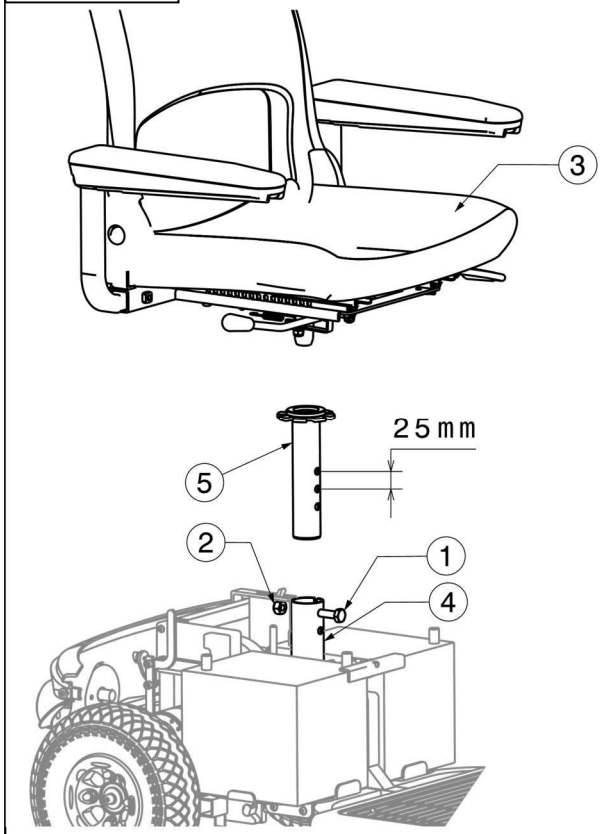
1. Pociągnij dźwignię siedziska ① do góry.
2. Ustaw siedzisko ② w odpowiednim kierunku.
3. Zwolnij dźwignię siedziska ①, co spowoduje, że zawsze zatrzyma się ono po obrocie o 90°.
4. Sprawdź, czy siedzisko jest odpowiednio zamontowane.

Regulacja głębokości (Rys. A)

1. Pociągnij dźwignię regulacji głębokości siedziska ③ na zewnątrz.
2. Zmień położenie siedziska ②, przesuwając je w przód lub w tył na szynach regulacji głębokości ④.
3. Aby zablokować siedzisko, zwolnij dźwignię ③ po ustawieniu siedziska ② w odpowiednim położeniu.
4. Lekko obróć siedzisko do momentu zablokowania go na miejscu.
5. Sprawdź, czy siedzisko jest prawidłowo zamocowane.



Rys. B



Regulacja wysokości siedziska (Rys. B)
Możliwa jest regulacja siedziska, dostępne są 3 wysokości (co 25 mm).

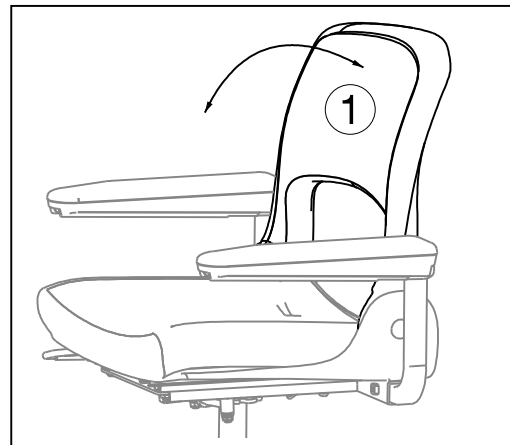
1. Zdejmij obicie siedziska ③ i pokrywę baterii.
2. Wykręć śruba ① i nakrętka ②.
3. Przesuń drążek wysokości ⑤ w górę/dół do pożądanej ④ przez siebie wysokości.
4. Dokręć śruba ① i nakrętka ②.
5. Zamontuj obicie siedziska ③ i pokrywę baterii.
6. Sprawdź, czy siedzisko ③ jest prawidłowo zamocowane.

PL

3.5 Składanie oparcia

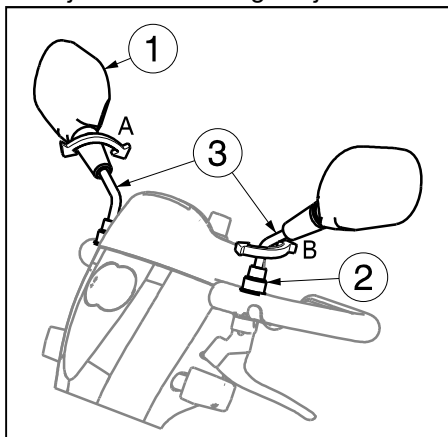
⚠ OSTRZEŻENIE: Ryzyko urazu – nigdy nie wolno wykonywać żadnych regulacji podczas jazdy.

Popchnij oparcie ① do przodu aby je złożyć.
Pociągnij oparcie ① do tyłu aby je ponownie rozłożyć.



3.6 Regulacja lusterek wstecznych

Istnieje możliwość regulacji lusterek wstecznych:



Regulacja 1 (strzałka A):

1. Chwyć lusterko wsteczne ①.
2. Obróć lusterko wsteczne ① w wybranym kierunku.

Lub

Regulacja 2 (strzałka B):

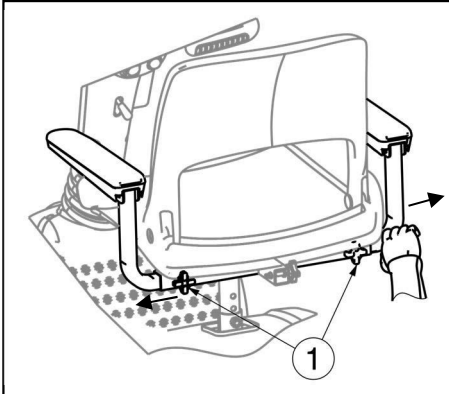
1. Pociągnij zaślepkę ② do góry.
2. Poluzuj śrubę lusterka.
3. Delikatnie chwyć rurkę ③.
4. Obróć rurkę ③ i skieruj lusterko ① w wybraną stronę.

3.7 Regulacja podłokietników

- ⚠ PRZESTROGA:** Ryzyko przewrócenia - należy upewnić się, że podłokietniki ułożone są symetrycznie od siedziska.
- ⚠ PRZESTROGA:** Ryzyko urazu — rurkę wewnętrzną należy montować w bezpiecznej odległości 50 mm od rurki zewnętrznej.

Istnieje możliwość regulacji szerokość podłokietników:

3.7.1 Regulacja szerokość podłokietnika



1. Zdemontuj pokrętko ① gwiazdźdźte znajdujące się z tyłu skutera.
2. Chwyć wewnętrzną, kwadratową rurkę tak, jak pokazano na rysunku.
3. Przesuń rurkę tak, aby uzyskać żądaną szerokość podłokietnika (zakres 100 mm z każdej strony).
4. Dokręć wkręt gwiazdkowy ①.
5. Sprawdź, czy podłokietnik jest poprawnie zamocowany.

3.8 Wymiana opon

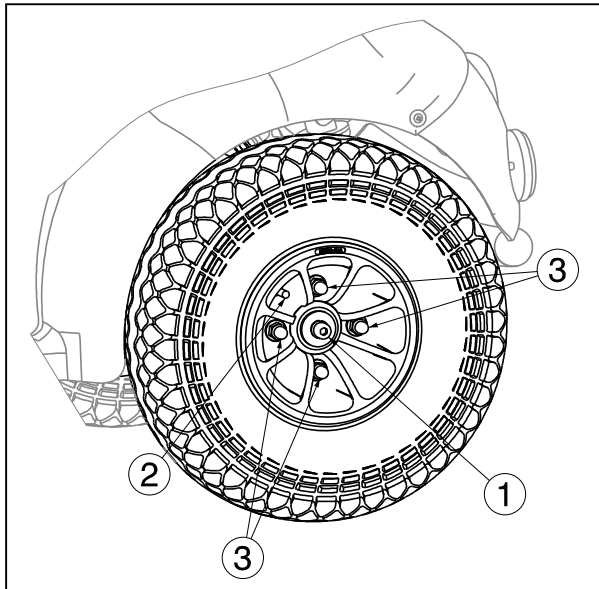
- ⚠ PRZESTROGA:** W dętce nie może znajdować się powietrze przed jej zdjęciem.
- ⚠ PRZESTROGA:** Ryzyko uszkodzenia - niewłaściwe postępowanie może doprowadzić do uszkodzenia obręczy.

Przed założeniem nowej dętki należy pamiętać o następujących kwestiach:

Sprawdzić podłoże obręczy oraz stronę wewnętrzną opony czy nie znajdują się tam jakieś ciała obce a następnie je usunąć. Sprawdzić stan podłoża obręczy, szczególnie w okolicy zaworu powietrza. Należy używać wyłącznie oryginalnych części zamiennych. Firma nie ponosi odpowiedzialności za uszkodzenia wynikające z zastosowania nieoryginalnych części zamiennych. Prosimy o skontaktowanie się z waszym specjalistycznym dealerem.

Montaż:

- ⚠ OSTRZEŻENIE:** Ryzyko urazu- należy sprawdzać, czy ciśnienie jest prawidłowe.
- ⚠ OSTRZEŻENIE:** Ryzyko urazu - należy upewnić się, że podczas montażu opony żadne przedmioty lub części ciała nie zostały przytrzaśnięte pomiędzy oponą a obręczą.
- ⚠ OSTRZEŻENIE:** Ryzyko urazu - przed korzystaniem z skuter należy upewnić się, że wszystkie śruby są mocno dokręcone. Klej do śrub (np. Loctite) należy zastosować na śruby znajdujące się na wieńcu. Aby klej zadziałał, należy oczyścić śrubę ze smaru i innych pozostałości.



DEMONTAŻ

1. Odkręć oraz wyciągnij śrubę znajdującą się na środku ① to ona trzyma całe koło oraz flansze na skuterze.
2. Należy delikatnie nacisnąć kołek do spuszczenia ciśnienia znajdujący się na wentylu ②, aby spuścić powietrze z koła.
3. Należy okręcić 4 śruby ③ znajdujących się po wewnętrznej stronie obręczy. Należy rozdzielić obydwie strony obręczy.

MONTAŻ

Częściowo napompowaną dętkę należy włożyć do opony.

1. Połącz ze sobą dwie strony obręczy, nałóż oponę na flansze a następnie przykręć skręcone koło do scooterza za pomocą 4 śrub ③.
2. Należy przełożyć wentyl ② przez otwór w obręczy.
3. Włóż koło oraz flansze a następnie przykręć do scooterza za pomocą śruby montowanej na środku ①. Należy napompować opony do zalecanego ciśnienia.

Należy sprawdzić z obu stron czy dętka nie jest wciśnięta pomiędzy poręczą a brzegiem opony. Nieznacznie wcisnąć zawór powietrza, następnie ponownie wyciągnąć by upewnić się, że opona jest właściwie usytuowana w miejscu zaworu powietrza.

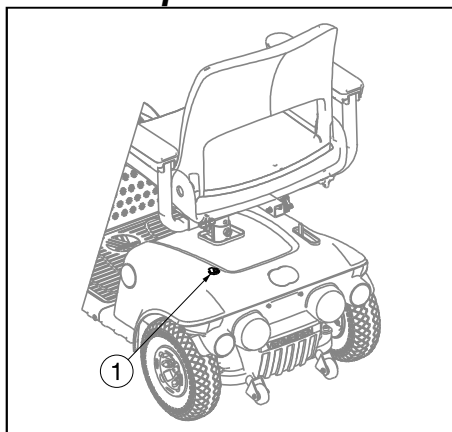
Aby właściwie napompować koło, należy najpierw wpuścić niewielką ilość powietrza i sprawdzić, czy oponę można bez problemu ścisnąć palcami. Jeśli linie kontrolne są jednakowo odległe od krawędzi poręczy po obu stronach opony wówczas jest ona usytuowana właściwie. Jeśli nie – należy wypuścić powietrze i usytuować oponę jeszcze raz. Teraz można całkowicie napompować oponę do momentu osiągnięcia maksymalnego ciśnienia roboczego (należy sprawdzić maksymalne ciśnienie) i założyć nasadkę na wentyl.

Jedynie ekspert może zagwarantować właściwy montaż. Wykonywanie tej czynności przez inną osobę niż wyspecjalizowanego sprzedawcę unieważnia gwarancję.

Podczas pompowania opon należy zawsze sprawdzać, czy ciśnienie jest prawidłowe. Właściwe ciśnienie jest podane na ściankach opony.

Należy stosować wyłącznie te urządzenia do pompowania, które są zgodne z przepisami i pokazują ciśnienie w barach. Firma nie ponosi odpowiedzialności za uszkodzenia wynikające z zastosowania urządzeń do pompowania opon, które nie zostały dostarczone przez producenta.

3.9 Bezpieczniki termiczne

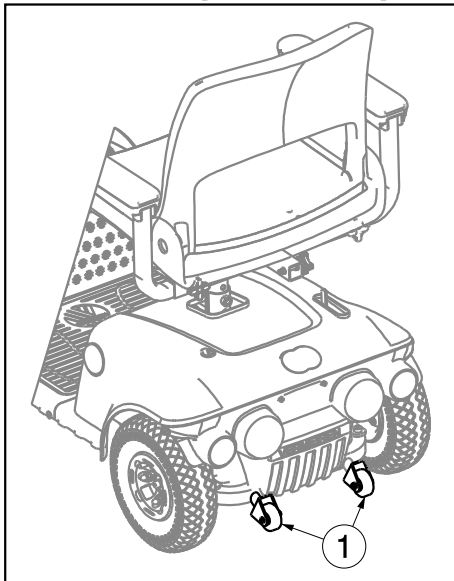


W celu zabezpieczenia silnika przed przeciążeniem skuter jest wyposażony w mechanizm zabezpieczający przed przegrzaniem ① zamontowany w tylnej części skutera. Bezpiecznik termiczny automatycznie odłączy zasilanie silnika, aby zapobiec jego przegrzaniu i tym samym szybkiemu zużyciu oraz uszkodzeniu. Do urządzenia zabezpieczającego przed przegrzaniem można uzyskać dostęp przez szczelinę z tyłu pokrywy z tworzywa sztucznego.

Urządzenie zabezpieczające przed przegrzaniem może się poluzować w przypadku przekroczenia maksymalnego dopuszczalnego nachylenia podłoża podczas jazdy po powierzchniach pochyłych. Przekroczenie maksymalnych dopuszczalnych obciążeń również może spowodować odpadnięcie mechanizmu. Tak samo jazda z włączonym hamulcem silnika może spowodować przeciążenie. Maksymalne dopuszczalne wartości podano w rozdziale „Parametry techniczne” niniejszej instrukcji.

Aby móc ponownie korzystać ze skutera, należy zniwelować przyczynę przeciążenia i poczekać, aż silnik ostygnie. Następnie należy delikatnie docisnąć mechanizm zabezpieczający przed przegrzaniem. Then gently switch the thermal safety mechanism back in. Skuter jest ponownie gotowy do użycia.

3.10 Zabezpieczenie przed przewróceniem



Zabezpieczenie przed przewróceniem ① jest na stałe przymocowana do ramy w tylnej części skutera. Nie można jej wymontować. Służy ona bezpieczeństwu. Zapobiega przewróceniu się skutera do tyłu podczas pokonywania niewielkich przeszkód, które NIE przekraczają podanej maksymalnej wysokości.

3.11 Wymiana akumulatorów

- ⚠ **OSTRZEŻENIE: Ryzyko poparzenia** - należy unikać kontaktu z kwasem znajdującym się w akumulatorach. Należy zapewnić dobrą wentylację gniazda akumulatorowego.
- ⚠ **OSTRZEŻENIE: Ryzyko urazu i uszkodzenia** - Do wymiany należy używać wyłącznie baterii nie nadających się do rozlewania; są one oznaczone na baterii symbolem "Nie można rozlewać".

Wymień obydwie baterie a nie tylko jedną.

W przypadku wymiany baterii w twoim skuterze baterie należy wymienić na taki sam typ (Typ: "**AGM-Absorbed glass mat**"baterie).

Dostarczona ładowarka działa poprawnie tylko z bateriami AGM.

Jeśli zmieniłeś typ baterii na inne musisz zmienić również ładowarkę na odpowiednią do tych baterii. Niewłaściwe ładowanie baterii (używanie nieodpowiedniej ładowarki, niewłaściwy czas ładowania) unieważnia gwarancję. W przypadku pytań na temat baterii/akumulatorów, ładowarek prosimy o kontakt ze specjalistą.

Akumulatory mogą być wymieniane wyłącznie przez wykwalifikowany personel. Okablowanie i ładowarka są odpowiednio ułożone w skuter. Nie należy próbować samodzielnego zmiany położenia okablowania. Niewłaściwa instalacja okablowania może spowodować przyszczypnięcie przewodów między obudowami akumulatorów, co doprowadzi do usterki układu elektronicznego skutera.

Należy upewnić się, że przewody są podłączonego do odpowiedniego akumulatora.

4 Konserwacja

Instrukcje dotyczące konserwacji skuters znajdziesz na stronie internetowej firmy Vermeiren: <http://www.vermeiren.com/>.

UWAGA: Ryzyko obrażeń i uszkodzeń

Naprawa i wymiana części mogą być wykonywane tylko przez osoby przeszkolone. Należy używać wyłącznie oryginalnych części zamiennych Vermeiren.



Čzęstotliwość serwisu zależy od częstotliwości i intensywności użytkowania. Skontaktować się ze sprzedawcą, aby uzgodnić harmonogram kontroli/konserwacji/napraw. Przeczytać instrukcje użytkownika dostarczonej ładowarki dotyczące konserwacji

4.1 Instrukcja ponownego użytkowania

4.1.1 Wydanie produktu do ponownego użytkowania

Ostatnia strona tego podręcznika zawiera formularz rejestracyjny dla wyspecjalizowanego sprzedawcy w celu zarejestrowania każdej usługi. Ta strona może być również używana przez wypożyczalnię do odnotowania wymaganej kontroli, czyszczenia, dezynfekcji i konserwacji. Przed każdym ponownym użyciem sprawdź, czy konserwacja jest zarejestrowana, aby produkt mógł zostać wydany do ponownego użycia.

4.1.2 Czas konserwacji

Przed każdym użyciem

Sprawdzić następujące punkty:

- A Stan akumulatora: naładować akumulator w razie potrzeby, patrz §2.14.
- B Stan kół/opon, patrz §4.1.3.
- C Wszystkie części: czyste, patrz §4.1.4.
- D Konsola kierownicza, okablowanie: nieuszkodzone, np. żadne przewody nie są przetarte, przerwane lub pozbawione izolacji.
- E Koła, dyszel, konsola kierownicza: dobrze zabezpieczone.
- F Siedzisko i oparcie: wgniezione miejsce, uszkodzenia lub zadrapania. W razie potrzeby wymień siedzenie i / lub oparcie.
- G Skontaktować się z wyspecjalizowanym sprzedawcą w kwestii ewentualnych napraw lub wymiany części.

Co roku lub częściej

Skuter powinien być sprawdzany i serwisowany przez wyspecjalizowanego sprzedawcę, co najmniej raz w roku lub częściej. Minimalna częstotliwość czynności konserwacyjnych zależy od natężenia eksploatacji.

Dlatego należy ją uzgodnić z wyspecjalizowanym sprzedawcą.

W przypadku przechowywania

Upewnij się, że skuter jest przechowywany w suchym miejscu, aby zapobiec rozwojowi pleśni i uszkodzeniu tapicerki.

Jeśli Twój skuter jest przechowywany przez dłuższy czas, nadal musisz ładować akumulatory co miesiąc. Aby uzyskać więcej informacji, patrz §2.14.

4.1.3 Koła i opony

- A Koła powinny być czyste i wolne od drutów, włosów, piasku i włókien.
- B Sprawdzić profil opon. Jeśli bieżnik jest płytszy niż 1 mm, opony należy wymienić. Skontaktować się z wyspecjalizowanym sprzedawcą w tej kwestii.
- C Sprawdź ciśnienie każdej opony. Ciśnienie zależy od jej rodzaju, które można sprawdzić z boku opony.
- D Jeśli opona nie utrzymuje ciśnienia lub jest wyraźnie płaska, skontaktuj się ze sprzedawcą w celu wymiany.

UWAGA: Ryzyko zranienia lub uszkodzenia

Upewnij się, że maksymalne ciśnienie nie jest przekroczone podczas pompowania. Sprawdź szczegóły z boku opony.

4.1.4 Czyszczenie

⚠ UWAGA: Ryzyko uszkodzenia spowodowanego wilgocią
Konsola kierownicza powinna być czysta i chroniona przed wodą i deszczem.
Nigdy nie używaj węża lub myjki wysokociśnieniowej do czyszczenia skutera.

Wytrzyj wszystkie sztywne części skutera wilgotną szmatką. W razie konieczności używać łagodnego detergentu odpowiedniego do mycia powierzchni lakierowanych i z tworzyw sztucznych. Tapicerkę można czyścić letnią wodą z łagodnym detergentem. Do czyszczenia nie używać ściernych środków czyszczących.

Otwory wentylacyjne ładowarki powinny być czyste, wolne od nagromadzonego kurzu. W razie potrzeby zdmuchnąć kurz i oczyścić obudowę ładowarki lekko zwilżoną ściereczką.

4.1.5 Dezynfekcja

⚠ UWAGA: Ryzyko uszkodzenia- Dezynfekcję mogą wykonywać wyłącznie osoby odpowiednio przeszkolone. Zasięgnąć porady u wyspecjalizowanego sprzedawcy.

5 Koniec użytkowania

Po zakończeniu użytkowania należy poddać skuter utylizacji zgodnie z lokalnie obowiązującymi przepisami w zakresie ochrony środowiska. Najlepszym sposobem, aby to zrobić, jest demontaż skutera, w celu ułatwienia transportu części nadających się do przetworzenia. Akumulatory zwykle zbiera się oddzielnie.

6 Deklaracja zgodności

Ten produkt ma świadectwo CE i jest sklasyfikowany jako wyrób medyczny klasy I. Znak CE potwierdza zgodność produktu ze standardami ochrony zdrowia, bezpieczeństwa i środowiska w handlu produktami w obrębie Europejskiego Obszaru Gospodarczego.



Kopia deklaracji zgodności jest dostępna w naszym serwisie internetowym:
<http://www.vermeiren.com/>.

Obsah

1	Popis výrobku	3
1.1	<i>Určené použití</i>	3
1.2	<i>Bezpečnostní pokyny</i>	4
1.3	<i>Technické údaje</i>	5
1.4	<i>Příslušenství;</i>	6
1.5	<i>Součásti</i>	7
1.6	<i>Umístění identifikačního štítku</i>	7
1.7	<i>Vysvětlivky symbolů</i>	8
1.8	<i>Očekávaná životnost</i>	8
2	Použití skútru	9
2.1	<i>Poznámky k elektromagnetické kompatibilitě (EMC)</i>	9
2.2	<i>Přenášení skútru</i>	10
2.3	<i>Sestavení a rozložení</i>	10
2.4	<i>Obsluha brzd</i>	11
2.5	<i>Nasednutí a vysednutí</i>	11
2.6	<i>Správná poloha</i>	11
2.7	<i>Jízda</i>	12
2.8	<i>Jízda na rampě</i>	15
2.9	<i>Ovládání skútru přes překážky</i>	15
2.10	<i>Ovládací panel</i>	15
2.11	<i>Neutrál</i>	16
2.12	<i>Transport</i>	16
2.13	<i>Automatické vypnutí napájení</i>	17
2.14	<i>Nabíjení baterií</i>	17
3	Sestavení a nastavení skútru.....	19
3.1	<i>Nástroje</i>	19
3.2	<i>Způsob dodání</i>	19
3.3	<i>Nastavení úhlu jednotky řízení</i>	19
3.4	<i>Nastavení sedadla</i>	20
3.5	<i>Sklopení opěradla</i>	21
3.6	<i>Nastavení zpětných zrcátek</i>	22
3.7	<i>Nastavení loketních opěrek</i>	22
3.8	<i>Výměna pneumatiky</i>	22
3.9	<i>Tepelné pojistky</i>	23
3.10	<i>Prevence převrácení</i>	24
3.11	<i>Výměna baterie</i>	24
4	Údržba skútru.....	25
4.1	<i>Instrukce pro opakované použití</i>	25
5	Konec používání	26
6	Prohlášení o shodě.....	26

Úvod

Nejnovější verzi následujících informací vždy najdete na našich webových stránkách <http://www.vermeiren.com/>. Tyto webové stránky pravidelně navštěvujte, protože tištěná verze nemusí být aktuální.

Nejprve bychom chtěli poděkovat za důvěru, kterou jste nám projevili výběrem našeho skútru.

Očekávaná životnost tohoto skútru je velice závislá na jeho údržbě a péči o něj.

Tento návod pomáhá k tomu, abyste se seznámili s provozem tohoto skútru.

Podstatnou součástí záruky skútru tvoří dodržování uživatelských postupů a pokynů pro údržbu.

V tomto návodu se odráží nejnovější vývoj výrobku. Společnost Vermeiren má právo zavádět změny, aniž by musela upravovat či měnit dříve dodané modely.

V případě dalších dotazů se obraťte na svého odborného prodejce.

Dostupné informace



- Tento návod

Osoby se zrakovým postižením si mohou stáhnout elektronickou verzi tohoto návodu, kterou jim může přečíst softwarová aplikace text-to-speech.



- Prohlášení o shodě ES
Pro uživatele a odborného prodejce



- Pokyny pro montáž a demontáž volitelných částí
Pro odborného prodejce



- Servisní příručka
Pro odborného prodejce

Kontaktní údaje

Chcete-li najít servis nebo specializovaného prodejce ve vaší blízkosti, kontaktujte nejbližší pobočku společnosti Vermeiren.

1 Popis výrobku

1.1 Určené použití

Skútry slouží k pohodlné osobní dopravě. Tento skútr je určen k přepravě 1 osoby. Na tomto skútru nevozte žádné další cestující (ani děti).

Tento skútr je určen pouze k přepravě dospělých osob, tedy nikoli zboží či osob mladších 16 let.

Zároveň nesmí být používán osobami, které zjevně trpí fyzickými nebo duševními omezeními, které jim znemožňují bezpečně řídit skútr v pouličním provozu.

K těmto omezením může patřit:

- hemiplegie či paraplegie,
- duševní poruchy,
- zrakové postižení.

Tento skútr je zařazen do třídy B.

Tento skútr je vhodný pro venkovní použití.

Při zajištění skútru musí být osobní aspekty:

- tělesná velikost a hmotnost (max. 140 kg),
- fyzický a psychický stav,
- bytové podmínky,
- životní prostředí.

vzaty v úvahu.

Tento skútr je vhodné používat na rovném povrchu, na němž se dotýkají země všechna čtyři kola a kde je dostatečný kontakt pro rovnoměrný pohon kol.

Použití na nerovném povrchu (dlažební kostky apod.), ve svahu či v zatáčce a překonávání překážek (jako je obrubník) se musíte naučit.

Tento skútr nesmí být používán jako žebřík ani k přepravě těžkých či horkých předmětů.

Pro použití skútru na ulici nebo chodníku se týkají místní zákony a předpisy.

Tento skútr lze používat na chodníku či ulici. Nicméně se za žádných okolností nesmí používat k jízdě na dálnici nebo silnici mimo obec.

Používejte pouze příslušenství schválené společností Vermeiren.






























Výrobce neodpovídá za škody způsobené absencí řádného servisu či vzniklé nedodržováním pokynů v tomto návodu.

Dodržování uživatelských postupů a pokynů k údržbě je nezbytnou součástí záručních podmínek, takže doporučujeme pečlivé přečtení následujících stránek tohoto návodu.

Osoby se zrakovým postižením se mohou obrátit na prodejce pro pokyny k použití.


Poznámka: Tento výrobek je vhodný a schválený pro opakované použití jiným pacientem, pokud je dodáván prostřednictvím služby pronájmu. Postupujte podle pokynů v §4.1 .



1.2 Bezpečnostní pokyny

-  Používejte pouze příslušenství schválené společností Vermeiren.
-  Před nasednutím či vysednutím, rozložením nebo přepravou skútru otočte startovací klíček do polohy „Off“ (vypnuto).
-  Při přepravě skútru na něm nesmí sedět žádné osoby.
-  Vyzkoušejte si vliv na ovládání skútru při vychýlení těžiště, např. od jízdy ve svahu nahoru/dolů až po jízdu po vrstevnici, nebo při jízdě na nerovném povrchu.
-  Nejezděte na ulicích s hustým provozem ani na zablácených, štěrkových, hrbolatých, úzkých, zasněžených, zledovatělých či vodohospodářských cestách s absencí oplocení nebo živého plotu.
-  Nejezděte na místa, kde byste mohli zapadnout s koly.
-  Zajistěte, aby se oblečení či jeho část nezachytila do kol.
-  Při zvedání předmětů ležících před, vedle nebo za skútrelem zajistěte, abyste se nenakláněli příliš daleko do strany:
-  Ve svahu nikdy skútr neuvádějte do volnoběžné polohy.
-  Do svahu nikdy necouvejte.
-  Před jízdou v ostré zatáčce snižte rychlost.
-  Skútr nikdy neberte na eskalátory.
-  Za jízdy držte rukojeti oběma rukama.
-  Za jízdy dejte nohy a chodila na místa, která jsou pro ně určena.
-  Tento skútr nepoužívejte, když sněží, je mlha nebo fouká silný vítr.
-  Při uskladnění či parkování skútru venku jej chraňte před vlhkem pomocí pokrývky.
-  Výkon skútru mohou snížit velmi vlhké nebo chladné podmínky.
-  Tento skútr používejte striktně v souladu s předpisy. Nejezděte přímo přes překážku (jako je schod či hrana obrubníku) nebo dolů z vysoké římsy.
-  Při jízdě na veřejné vozovce dodržujte dopravní předpisy. Berte ohled na další účastníky uličního provozu.
-  Při řízení skútru nesmíte být nikdy pod vlivem alkoholu či léků, stejně jako při řízení jakéhokoli jiného vozidla. To platí také pro řízení v interiéru.
-  Venku musíte řízení skútru přizpůsobit povětrnostním a dopravním podmínkám.
-  Při jízdě v noci noste pro lepší viditelnost výrazné oblečení nebo oděvy s reflexními prvky a zajistěte, aby byly jasně viditelné odrazné prvky skútru a zároveň byla rozsvícená jeho světla.
-  Zajistěte, aby nebyla světla skútru nijak znečištěna anebo zakryta jinými předměty.
-  Tento skútr nikdy nepoužívejte jako sedadlo v automobilu či jiném vozidle.
-  Ověřte, že má vzorek pneumatik dostatečnou hloubku.
-  Má-li tento skútr pneumatiky s duší, opatrně je nahustěte na správný tlak (<cf italic="on">viz tlak uvedený na pneumatikách</cf>) pro zajištění optimálního zatáčení a stabilitu skútru.
-  Zajistěte, abyste nikdy nepřesáhli maximální nosnost skútru.
-  Nepřetěžujte nákupní košík. Maximální zatížení nákupního košíku je 5 kg.
-  Doporučujeme nepoužívat prodlužovací kabel anebo rozdvojku. Nabíječku baterie zapojte přímo do zásuvky. Doporučujeme nepoužívat zásuvku s časovým spínačem.

1.3 Technické údaje

Následující technické údaje jsou platné pro skútr ve standardním nastavení a v optimálních podmínkách prostředí. Při použití dalšího příslušenství dojde ke změně tabulkových hodnot. Výkon mohou snížit změny venkovní teploty, vlhkosti, sklonu svahu nahoru či dolů, povrchu a úrovně nabití baterie.

Značka	Vermeiren		
Adresa	Vermeirenp plein 1/15, B-2920 Kalmthout, Belgie		
Typ	Skútry s pohonem zadních kol, třída B		
Max. hmotnost uživatele	140 kg		
Model	Eris		
Popis	Rozměry		
Max. rychlost	6 km/h	10 km/h	
Dojezd při nepřetržité jízdě*	35 km (baterie 38 Ah) 45 km (baterie 50 Ah)	29 km (baterie 38 Ah) 37 km (baterie 50 Ah)	
Délka	1185 mm		
Šířka	570 mm		
Výška	1150 mm		
Šířka sedadla	435 mm		
Délka při složení/demontáži	950 mm		
Šířka při složení/demontáži	570 mm		
Výška při složení/demontáži	600 mm (sedadlo vyjmuté; jednotka řízení složená)		
Celková hmotnost	75 kg		
Hmotnost nejtěžší části (kterou lze demontovat či odebrat)	57 kg (bez sedadla) nebo 46 kg (bez sedadla a baterií)		
Hmotnosti částí, které lze demontovat či odebrat	Sedadlo: 11 kg; Baterie: 26,5 kg		
Statická stabilita, svah dolů	9°		
Statická stabilita, svah nahoru	9°		
Statická stabilita, do stran	9°		
Dynamická stabilita	6°		
Max. bezpečný sklon	6°		
Světlá výška	50 mm (prevence převrácení)		
Překonání překážky	75 mm		
Úhel roviny sedadla	6°		
Efektivní hloubka sedadla	360 mm		
Výška plochy sedadla u předního okraje (měřeno od země)	595 – 645 mm		
Výška plochy sedadla u předního okraje (měřeno od stupátka)	450 – 500 mm		
Výška stupátka	145 mm		
Úhel opěradla	25°		
Výška opěradla	340 mm		
Vzdálenost mezi područkou a sedadlem	180 mm		
Přední poloha konstrukce loketní opěrky	270 mm		
Motor	Jmen. 320 W, elektromagnetická brzdy		
Baterie	38 Ah	50 Ah	

Značka	Vermeiren		
Adresa	Vermeirenplein 1/15, B-2920 Kalmthout, Belgie		
Typ	Skútry s pohonem zadních kol, třída B		
Max. hmotnost uživatele	140 kg		
Model	Eris		
Popis	Rozměry		
Regulátor	70 A		
Jmenovité napětí (baterie)	2 x 12V 		
Stupeň ochrany	IP X4		
Nabíječka baterie	6 A (externí)	8 A (externí)	
Konektor USB	Ne		
Třída ochrany nabíječky baterie	IP X1		
Třída izolace nabíječky baterie	II		
Min. poloměr otáčení	2900 mm		
Šířka obrácení	2900 mm		
Průměr zadních kol (počet)	3.00-4 vzduch (2)		
Tlak pneumatik, zadní (hnací) kola	Max. 3,5 baru		
Průměr řídicích kol (počet)	3.00-4 vzduch (2)		
Tlak pneumatik, řídicí kola	Max. 3,5 baru		
Rukojeť	Páka regulace rychlosti		
Světla	Standardní		
Směrové světlo	Standardní		
Zpětná zrcátka	Volitelné		
Teplota skladování a používání	+5 °C až +40 °C		
Provozní teplota elektroniky	-10 °C až +40°C		
Vlhkost skladování a používání	30 %		
Testováno a splňuje požadavky	ISO 7176-14:2008		
Odolnost proti vznícení podle	EN1021-2		
<p>Vyhrazujeme si právo na technické změny. Tolerance měření ±15 mm / 1,5 kg / 1,5°.</p> <p>■ Ke snížení teoretické vzdálenosti dojezdu dojde při časté jízdě do svahu, na hrubém povrchu nebo při přeježdění obrubníků. Max. vzdálenost dojezdu byla určena podle normy ISO 7176-4 za ideálních podmínek.</p>			

Tabulka 1: Technické údaje

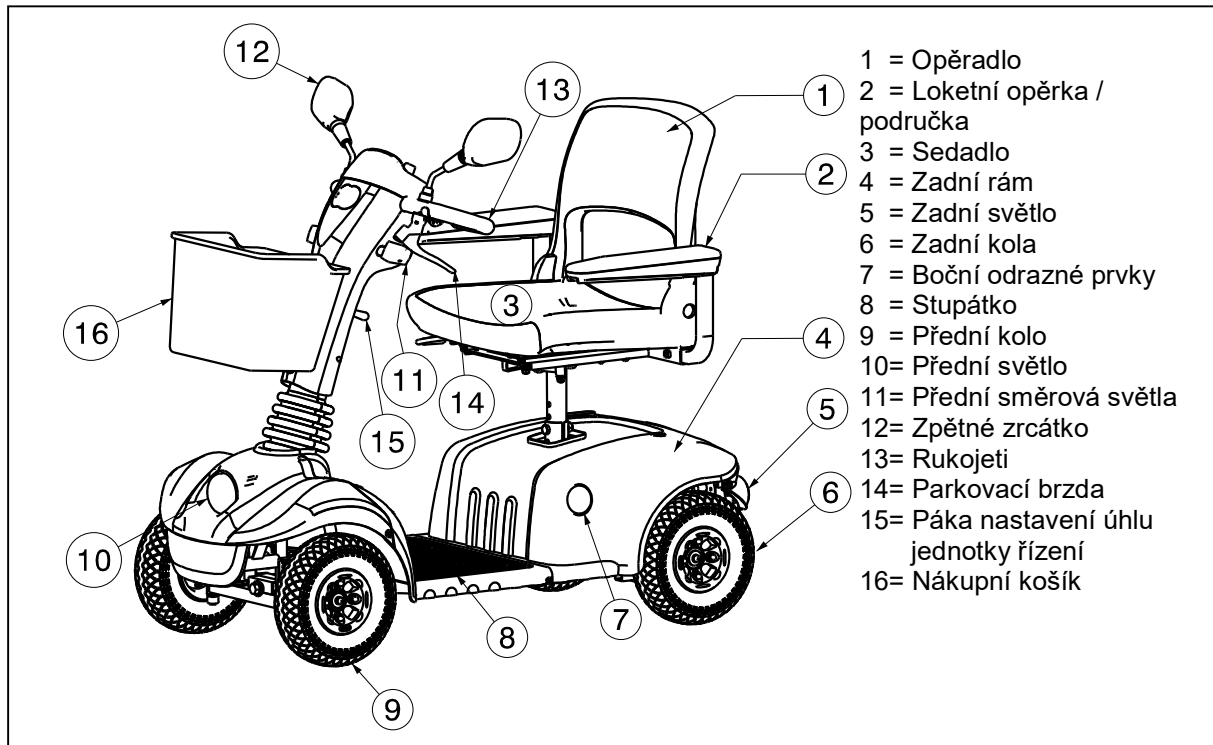
1.4 Příslušenství;

Pro skútry Eris je k dispozici následující příslušenství:

⚠ VAROVÁNÍ: Riziko zranění - ověřte, že jsou berle řádně upevněny a že nemohou spadnout na uživatele.

- Držák na berle
- Skútrový balíček
- Horní kryt
- Držák na chodítko

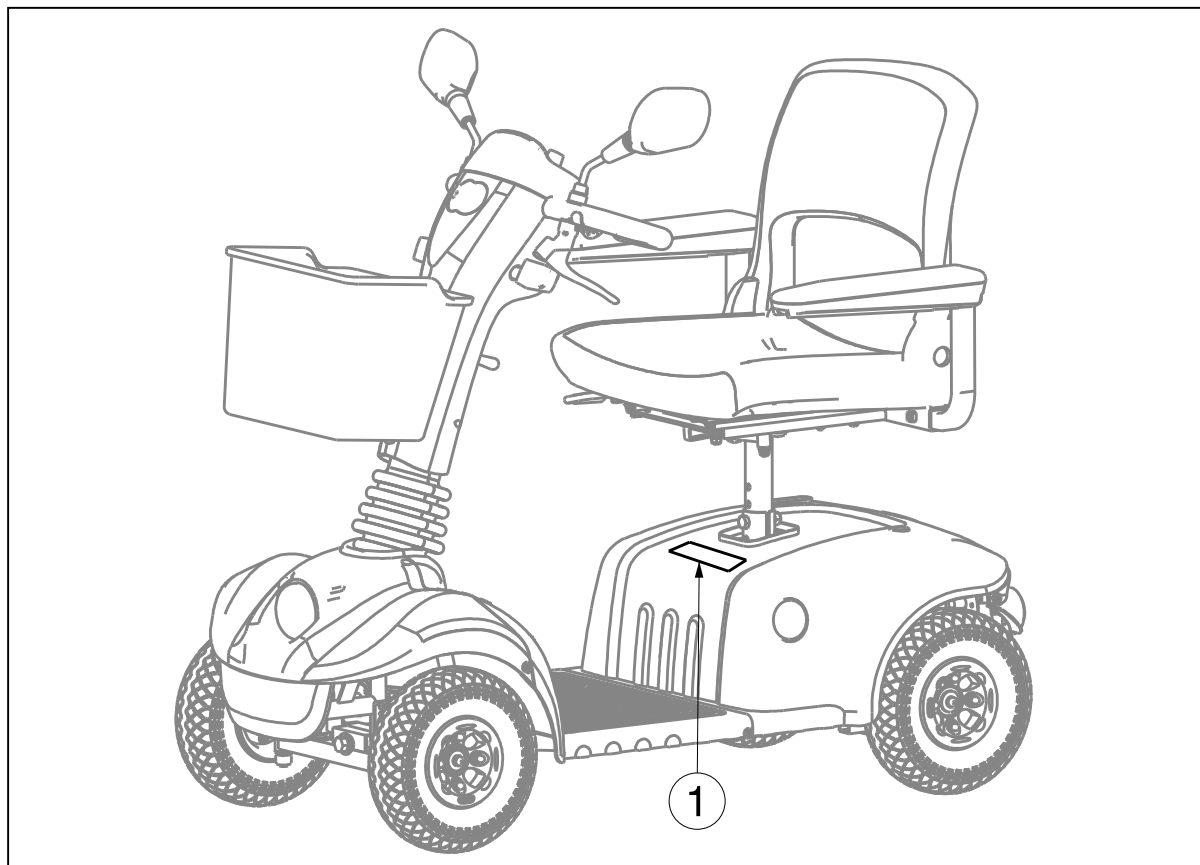
1.5 Součásti



CS

1.6 Umístění identifikačního štítku

Identifikační štítek ① je umístěn na zadním krytu. Identifikační štítek se také nachází pod krytem baterie.



1.7 Vysvětlivky symbolů



Max. hmotnost



Venkovní použití



Domácí použití (pouze pro nabíječku baterie)



Oddělené obnovení a recyklace elektrických a elektronických zařízení (pouze pro nabíječku)



Třída ochrany II



Max. bezpečný sklon



Shoda s CE



Max. rychlost



Není určeno k použití jako sedadlo v motorovém vozidle



Typ



Varování: Pozor na skřípnutí rukou / prstů

1.8 Očekávaná životnost

Průměrná životnost tohoto skútru je 5 let. V závislosti na četnosti použití, jízdních podmínkách a údržbě se životnost tohoto skútru prodlouží nebo zkrátí.

2 Použití skútru

Tato kapitola popisuje každodenní použití. **Tyto pokyny slouží pro uživatele a odborného prodejce.**

Skútr je dodáván odborným prodejcem, který jej úplně sestavil. Pokyny pro odborného prodejce o tom, jak skútr sestavit, jsou uvedeny v odst. 3.

2.1 Poznámky k elektromagnetické kompatibilitě (EMC)

Tento skútr byl testován podle normy ISO 7176-21.

Zde musíme upozornit na to, že zdroje elektromagnetického záření (např. mobilní telefony) vždy generují rušení. Vlastní elektronika skútru může také rušit ostatní elektrické spotřebiče.

Abyste snížili vliv elektromagnetických zdrojů rušení, přečtěte si následující varování:

⚠ VAROVÁNÍ: Tento skútr může rušit provoz zařízení v blízkém okolí, které vyzařuje elektromagnetické pole.

⚠ VAROVÁNÍ: Jízdní výkon skútru může být ovlivněn elektromagnetickými poli (např. generátorů elektřiny nebo zdrojů vysokého napětí).

⚠ VAROVÁNÍ: Nepoužívejte žádný přenosný televizní/rádiový přijímač v bezprostřední blízkosti skútru, který je zapnutý.

⚠ VAROVÁNÍ: Nepoužívejte žádný přenosný televizní/rádiový přijímač v bezprostřední blízkosti skútru, který je zapnutý.

⚠ VAROVÁNÍ: Nepoužívejte žádnou vysílačku ani mobilní telefon v bezprostřední blízkosti.

⚠ VAROVÁNÍ: V případě výskytu nenadálých pohybů nebo brzdění vypněte skútr ihned, jak to bude bezpečné.

Na elektronický systém skútru mohou mít rušivá magnetická pole negativní účinky. K nim patří např.:

- odpojení motorové brzdy,
- nekontrolovatelné chování skútru,
- neúmyslné pohyby řízení.

V přítomnosti velmi silných či trvale rušivých polí může dokonce dojít k úplnému zničení nebo trvalému poškození elektronických systémů.

K možným zdrojům záření patří:

- instalace přenosných přijímačů a vysílačů (přijímač a vysílač s pevnou anténou upevněnou přímo na jednotce vysílače);
- vysílací a přijímací soupravy,
- mobilní telefony nebo ruční vysílačky,
- přenosná televizní, rádiová a navigační zařízení,
- ostatní osobní vysílací zařízení,

- mobilní vysílací a přijímací zařízení středního dosahu (např. antény automobilů nainstalované na vnější části vozidla);
- pevné vysílací a přijímací soupravy,
- pevná mobilní vysílací a přijímací zařízení,
- pevné rádiové, televizní a navigační systémy,

- vysílací a přijímací zařízení velkého dosahu;
- rádiové a televizní věže či stožáry,
- soupravy amatérského rádia.

Ostatní domácí zařízení, jako jsou přehrávače CD, notebooky, bezdrátové telefony, rádia AM/FM, elektrické holicí strojky a fény, podle našich informací nemají žádný vliv v případě, že fungují správně a jejich kabeláž je v bezvadném stavu. Pro zajištění bezpečného provozu tohoto skútru dodržujte pokyny v návodech k obsluze, které jsou k těmto elektrickým přístrojům dodány:

1. když je poháněné vozidlo zapnuto (ON), nepoužívejte ruční vysílače a přijímače, jako jsou rádia s občanskými frekvencemi (CB), ani nezapínejte osobní komunikační zařízení, jako jsou mobilní telefony;
2. zjistěte si okolní vysílače, jako jsou rádiové nebo televizní stanice, a nejezděte v jejich blízkosti;
3. v případě výskytu nenadálých pohybů nebo brzdění vypněte poháněné vozidlo (OFF) ihned, jak to bude bezpečné;
4. nezapomeňte, že po přidání příslušenství či součástí nebo úpravě vozidla může být poháněné vozidlo citlivější na elektromagnetické rušení (EMI) (Poznámka: na vyhodnocení jejich vlivu na celkovou odolnost poháněného vozidla neexistuje žádný jednoduchý způsob).

Intenzita rušivé elektromagnetické energie (EMI) je měřena ve voltech na metr (V/m). Jakékoli poháněné vozidlo může odolat EMI do určité intenzity. Ta se nazývá „úroveň odolnosti“. Čím vyšší je úroveň odolnosti, tím vyšší je ochrana. Současné technologie dokážou dosáhnout úrovně odolnosti alespoň 20 V/m – tato hodnota poskytuje užitečnou ochranu před běžnými zdroji, které vyzařují EMI. Tento model poháněného vozidla, jak je dodáván bez dalších úprav, má úroveň odolnosti 20 V/m bez jakéhokoli přidaného příslušenství.

2.2 Přenášení skútru

Nejlepší způsob pro přenášení skútru je využít jeho neutrální režim. Přepněte skútr na neutrální a přesuňte jej na požadované místo.

Není-li tento způsob možný, lze skútr přenést tímto postupem:

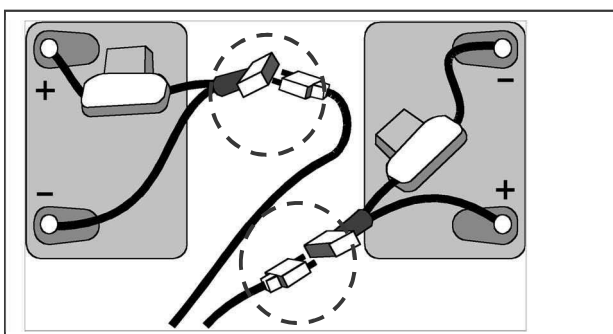
1. Vypněte skútr.
2. Odeberte vyjímatelné části (sedadlo a baterie).
3. Uložte odebrané části na bezpečné místo.
4. Přeneste rám + jednotku řízení pomocí 2 či 3 osob na požadované místo. Rám uchopte za podvozek a nikoli za nárazníky nebo plastové části. Pouze za pevné části rámu.

2.3 Sestavení a rozložení

- ⚠ **VAROVÁNÍ:** Riziko zranění – zajistěte, aby byly všechny části řádně sestaveny.
- ⚠ **VAROVÁNÍ:** Riziko zranění – sestavení a rozložení smí provádět pouze vyškolený personál (např. odborný prodejce).
- ⚠ **VAROVÁNÍ:** Riziko zranění – u kabelů buďte opatrní, abyste se neřízli či nepohmoždili.
- ⚠ **VAROVÁNÍ:** Riziko zranění – před rozložením skútru jej vypněte.
- ⚠ **POZOR:** Nebezpečí skřípnutí – nedávejte prsty mezi součásti tohoto skútru

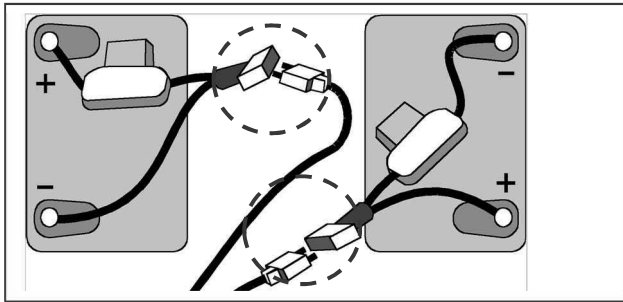
Při rozložení postupujte tímto způsobem:

- Vypněte skútr.
- Odeberte sedadlo (viz kapitola „Nastavení sedadla“).
- Zvedněte zadní plastový kryt baterií.



- Povolte popruhy, jež slouží k upevnění baterií na místo.
- Odpojte všechny konektory baterií (nikoli ty pólové) i všechny zástrčkové a zásuvkové konektory kabelů.
- Vyměňte baterie ven.
- Sklopte jednotku řízení dolů.

Při opětovném sestavení postupujte takto:



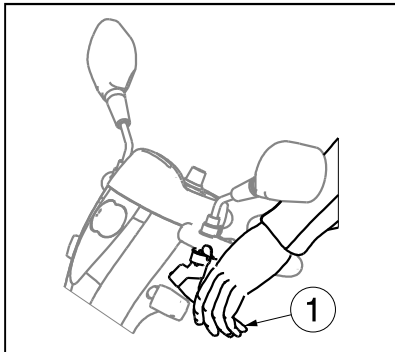
- Vyklopte jednotku řízení nahoru.
- Vložte baterie zpět na místo a zapojte jejich konektory (konektory stejné barvy patří k sobě).
- Pomocí popruhů upevněte baterie tak, aby se nepohybovaly ani při jízdě.
- Nasadte zadní plastový kryt.
- Nasadte sedadlo (viz kapitola „Nastavení sedadla“).
-

CS

2.4 Obsluha brzd

Použití elektromagnetických brzd:

1. pusťte páčku rychlosti či pohonu – zaktivuje se elektromagnetická brzda v motoru a skútr se zastaví.



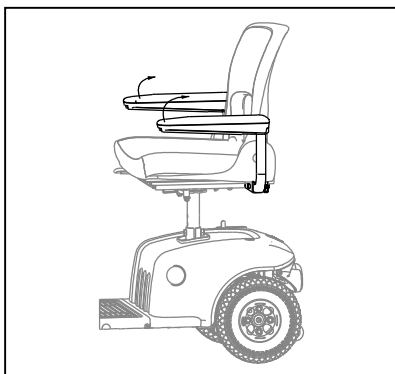
Použití parkovacích brzd (volitelné):

1. stiskněte brzdovou páčku ① směrem k rukojeti,
2. uvolněte brzdovou páčku ①.

Sílu parkovací brzdy lze seřídit napínačem brzdového kabelu.

2.5 Nasednutí a vysednutí

⚠ VAROVÁNÍ: Nebezpečí úrazu - před nasednutím a vysednutím ze skútru vždy vypněte skútr.



1. Zaparkujte skútr co nejbližší k místu, kde chcete nasednout či vysednout.
2. Zkontrolujte, že je ovládací panel (skútr) vypnutý (OFF).
3. Zvedněte loketní opěrku na straně, kde chcete nasednout či vysednout.
4. Nasedněte na sedadlo skútru nebo z něj vysedněte.

2.6 Správná poloha

Pro komfortní používání skútru uvádíme několik doporučení:

1. zajistěte polohu zad co nejbližší k opěradlu,
2. stehenní část nohou musí být vodorovně.

2.7 Jízda

⚠ VAROVÁNÍ: Nebezpečí popálení - dávejte pozor při dotyku, pokud se po delší dobu pohybujete v horkém nebo studeném prostředí (slunce, extrémní chlad, sauna, atd.) po určité době buďte opatrní při dotyku – povrchy skútru mohou absorbovat okolní tepelnou energii.

⚠ VAROVÁNÍ: Riziko nebezpečných nastavení – použijte pouze nastavení popsaná v tomto návodu.

⚠ VAROVÁNÍ: Nebezpečí úrazu - před nasednutím a vysednutím ze skútru vždy vypněte skútr.

2.7.1 Příprava k použití

Když skútr používáte poprvé, zajistěte, aby stál na vodorovném povrchu. Všechna kola se musejí dotýkat země.

1. Před prvním použitím nabijte baterie na plnou kapacitu.
2. Ověřte, že je zapojen motor.
3. Nastavte jednotku řízení do nejpohodlnější polohy a zajistěte, aby byla řádně upevněna.
4. Ověřte, že je sedadlo zaaretováno do jízdní polohy.
5. Posadte se na sedadlo a zkontrolujte, že jsou obě loketní opěrky sklopeny, aby na nich mohly spočinout ruce.
6. Vložte kontaktní klíč a otočte jím doprava. Než stisknete rychlostní páčku, počkejte alespoň 3 sekundy, jinak dojde k alarmu „ochrana časovým zpožděním“. V případě potřeby zapněte přední světla.
7. Na indikátoru baterie ověřte, že má dostatečnou kapacitu pro danou jízdu. Pokud tomu tak není, dobijte baterie ještě před odjezdem.

Nyní přepněte regulaci rychlosti na ovládacím panelu do minimální polohy. Skútr je teď připraven k použití. Nastavení vyšší rychlosti používejte až tehdy, když máte jistotu, že skútr umíte jednoduše ovládat a řídit.

Před jízdou v rušných a potenciálně nebezpečných oblastech se dobře seznamte s obsluhou tohoto skútru. Školte se na volném a otevřeném prostranství, jako je park.

2.7.2 Úkony po použití

Před sesednutím ze skútru ověřte, že se všechna čtyři kola dotýkají země zároveň.

Potom otočením klíčku do polohy „OFF“ (indikátor nabíjení zhasne) vypněte integrované světlo.

2.7.3 Parkování

Jakmile je skútr vypnut, nelze do jízdního systému odesílat žádné příkazy. Před opětovným zapnutím skútru tak nebudete moci deaktivovat elektromagnetické brzdy. Skútr parkujte vždy na místech, jež jsou dobře hlídaná či zřetelně viditelná.

2.7.4 První jízda

⚠ VAROVÁNÍ: Mějte skútr vždy pod kontrolou – zvykněte si na jízdní vlastnosti tohoto skútru.

⚠ VAROVÁNÍ: Mějte skútr vždy pod kontrolou – nepoužívejte obě strany rychlostní páčky najednou. Mohlo by to znemožnit ovládání tohoto skútru.

⚠ VAROVÁNÍ: Mějte skútr vždy pod kontrolou, riziko zranění – nenastavujte rychlost za jízdy.

⚠ VAROVÁNÍ: Riziko zranění – při jízdě skútru zpět ověřte, že za vámi nejsou žádné osoby ani předměty.

- Jízda

Po nasednutí na skútr jej nastartujte podle popisu výše, uchopte rukojeti oběma rukama a pomocí prstů stiskněte rychlostní páčku v požadovaném směru, t.j.:

AKCE STISKNUTÍ PRAVOU RUKOU	=	POHYB DOPŘEDU
AKCE STISKNUTÍ LEVOU RUKOU	=	POHYB DOZADU

Při použití skútru v interiéru na něm nezařazujte nejvyšší rychlost.

- Jízda na chodníku

Při použití skútru na chodníku zajistěte, aby byl omezovač rychlosti nastaven na nejnižší hodnotu. Max. rychlost při jízdě na chodníku se liší podle předpisů země provozu skútru. Viz dopravní předpisy příslušné země.

Pro použití na ulici či soukromém pozemku lze omezovač rychlosti nastavit na nejvyšší hodnotu.

- Brzdění

Chcete-li zabrzdít, pusťte rychlostní páčku – ta se vrátí do nulové polohy a plynule zpomaluje skútr až do úplného zastavení. Zkuste pouštění páčky a brzdění, až si na to u skútru zvyknete. Musíte být schopni odhadnout, jak bude tento skútr při jízdě nebo brzdění reagovat.

Za jízdy skútr nevypínejte (OFF), protože by došlo k nouzovému zastavení a možnému riziku nehody anebo zranění.

- Jízda v zatáčce či ostré zákrutě

⚠ VAROVÁNÍ: Riziko převrácení – před zatáčkou či ostrou zákrutou snižte rychlost.

⚠ VAROVÁNÍ: Riziko skřípnutí – vždy udržujte dostatečnou vzdálenost od zdí, rohů a překážek.

⚠ VAROVÁNÍ: Riziko převrácení – neprovádějte se skútrelem žádná „esička“ ani s ním nezatačujte chaoticky.

V zatáčkách či ostrých zákrutách používejte obě ruce k otáčení rukojetí v požadovaném směru. Přední kola se budou otáčet spolu s nimi a tím zatočí skútr novým směrem. Je velmi důležité zajistit, aby měl skútr při jízdě v zatáčce či ostré zákrutě dostatek místa pro svůj průjezd. K úzkému průjezdu je nejlepší si najet ve velkém oblouku, abyste mohli vjet do jeho nejužší části co možná nejpříměji zepředu. Nezapomínejte, že zadní část skútru bude ve většině případů širší než ta přední.

Zajistěte, abyste do zatáček či ostrých zákrut nevjeli šikmo. „Řezáním zatáček“ dochází často k tomu, že zadní kola přejedou přes překážky a skútr ztratí stabilitu.

2.7.5 Pohyb dozadu

⚠ VAROVÁNÍ: Mějte skútr vždy pod kontrolou – zvykněte si na jízdní vlastnosti tohoto skútru.

⚠ VAROVÁNÍ: Ovládejte rychlost – dozadu se pohybujte vždy nejnižší možnou rychlostí.

⚠ VAROVÁNÍ: Riziko kolize – při pohybu dozadu se vždy dívejte tímto směrem.

Jízda dozadu vyžaduje zvýšenou pozornost a opatrnost (AKCE LEVÉ RUKY). To vysvětluje, proč jsme výrazně snížili rychlost pohybu dozadu ve srovnání s jízdou dopředu. Při jízdě vzad však přesto doporučujeme uvést rychlostní páčku do polohy minimální hodnoty.

Nezapomínejte na to, že zatáčení při jízdě dozadu má opačný směr než při jízdě dopředu a že tento skútr zatočí přímo v požadovaném směru.

2.7.6 Jízda do svahu

- ⚠ VAROVÁNÍ:** Mějte skútr vždy pod kontrolou – zvykněte si na jízdní vlastnosti tohoto skútru.
- ⚠ VAROVÁNÍ:** Mějte skútr vždy pod kontrolou – nikdy nezařazujte neutrální ve svahu.
- ⚠ VAROVÁNÍ:** Ovládejte rychlost – do svahu se pohybujte co nejrychleji.
- ⚠ VAROVÁNÍ:** Riziko převrácení – nepřekračujte maximální sklon statické stability do svahu (viz odstavec „Technické údaje“).
- ⚠ VAROVÁNÍ:** Při jízdě do svahu nikdy necouvejte.

Sedící pozice, jízda do svahu

- Nastavte hloubku sedadla a úhel opěradla sedadla ve většině předních poloh, viz sekce 3.4 a 3.5 pro nastavení.
- Při stoupání do strmého terénu vždy sklopte dopředu.

Ke svahu najíždějte vždy kolmo, tj. přímo zepředu. Aby nedošlo k převrácení skútru, musíte po celou dobu zajistit kontakt všech čtyř kol s povrchem (rampy, příjezdové cesty atd.). Při jízdě do prudkého svahu se vždy nakloňte dopředu. Skútr je poháněn prostřednictvím diferenciálu. Proto musejí obě hnací kola neustále zůstat v kontaktu se zemí. Jakmile některé hnací kolo ztratí kontakt se zemí, bezpečnostní zařízení ihned přeruší dodávku energie do obou kol a tím dojde k zastavení skútru.

Zastavíte-li ve svahu, protože jste uvolnili akcelerační, zabrání zpětnému pohybu skútru motorová brzda. Jakmile se akcelerační vrátí do nulové polohy, zaktivuje se motorová brzda.

Chcete-li pokračovat v jízdě do svahu, stiskněte rychlostní páčku do max. polohy, aby mělo pohonné ústrojí dostatek energie. Tím je umožněn pomalý výjezd tohoto skútru do svahu.

Nemůže-li se skútr rozjet do svahu, otočte regulaci rychlosti nahoru a zkuste to znovu.

Při jízdě ve svahu se může indikátor baterie pohybovat nahoru a dolů. Jde o normální jev, s nímž si nemusíte dělat starosti.

2.7.7 Jízda ze svahu

- ⚠ VAROVÁNÍ:** Mějte skútr vždy pod kontrolou – zvykněte si na jízdní vlastnosti tohoto skútru.
- ⚠ VAROVÁNÍ:** Mějte skútr vždy pod kontrolou – nikdy nezařazujte neutrální ve svahu.
- ⚠ VAROVÁNÍ:** Ovládejte rychlost – ze svahu se pohybujte co nejpomaleji.
- ⚠ VAROVÁNÍ:** Riziko převrácení – vyhýbejte se ostrým zákrutám.
- ⚠ VAROVÁNÍ:** Riziko převrácení – nepřekračujte maximální sklon statické stability ze svahu (viz odstavec „Technické údaje“).

Ke svahu dolů najíždějte vždy kolmo, tj. přímo zepředu. Při šikmém najetí ke svahu může některé kolo ztratit kontakt se zemí (nebezpečí převrácení). Jakmile jedno ze zadních kol ztratí kontakt se zemí, ihned se přeruší dodávka energie a tím dojde k zastavení skútru.

Hmotnost skútru zvyšuje rychlost jízdy ze svahu dolů. Otáčením regulace rychlosti dolů přizpůsobte rychlost jízdy podmínkám.

Ve svahu dolů se vyhýbejte ostrým zákrutám. Váha skútru může způsobit jeho zvednutí na jedné straně nebo dokonce převrácení při průjezdu zatáčkou.

Sedící pozice, jízda ze svahu

- Nastavte úhel hloubky sedadla a opěrku zad tak, abyste se posadili co nejvíce dozadu, viz část § 3.4 a § 3.5 pro nastavení.
- Při sjíždění ze strmého terénu se vždy opíráte dozadu.

2.8 Jízda na rampě

- ⚠ **VAROVÁNÍ:** Riziko zranění – nepřekračujte max. povolenou nosnost rampy.
- ⚠ **VAROVÁNÍ:** Riziko zranění – zvolte správný typ rampy, aby nedošlo k žádnému zranění či poškození.
- ⚠ **VAROVÁNÍ:** Riziko zranění – nezapomínejte, že podstatná váha elektrického skútru generuje velké zpětné síly, když asistent či asistentka přetlačuje skútr přes rampu.
- ⚠ **VAROVÁNÍ:** Riziko zranění – zajistěte, aby měla kola dostatečnou výšku pro přejetí přes světlou výšku rampy. Rám skútru se nesmí rampy ani dotknout.

Chcete-li použít rampu k přejezdu přes překážku, berte v úvahu následující věci:

1. zjistěte si max. nosnost dané rampy přímo od výrobce;
2. po rampě jezděte nejnižší možnou rychlostí;
3. viz pokyny v kapitole „První jízda“.

2.9 Ovládání skútru přes překážky

2.9.1 Řešení překážek

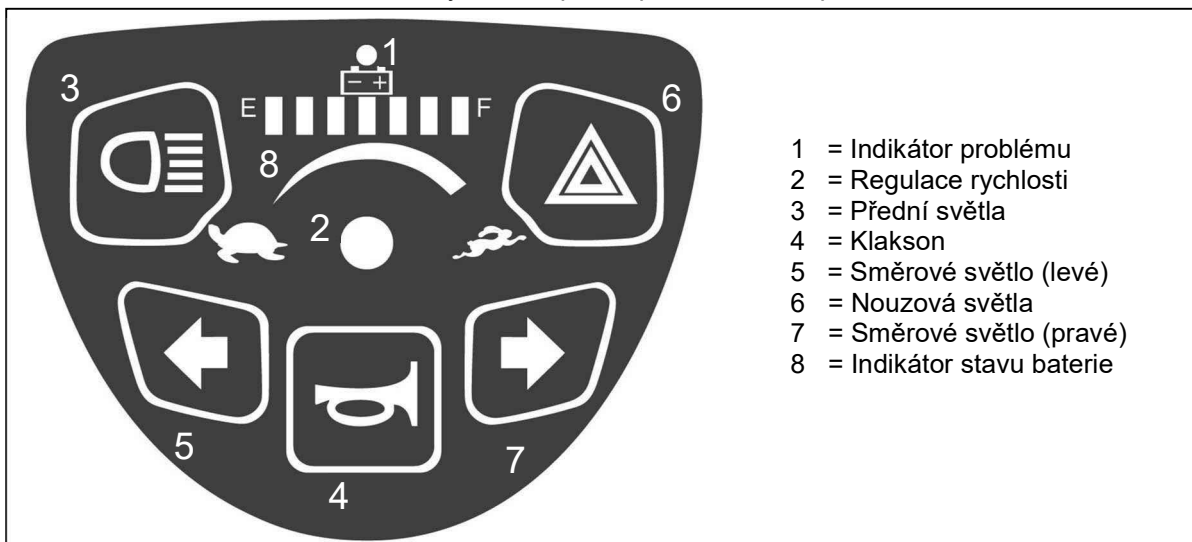
- ⚠ **VAROVÁNÍ:** Riziko zranění kvůli neočekávanému pohybu
 - Tento skútr nepoužívejte na eskalátoru.
 - **NIKDY** nejezděte na svahy, překážky, schody či obrubníky, které mají větší hodnoty než uvedené v technických údajích v kapitole §Error! Reference source not found..
 - Na obrubník vždy najíždějte zepředu.
 - Při jízdě nahoru či dolů ověřte, že se všechna kola dotýkají země.

⚠ **POZOR:** Riziko poškození

V případě potřeby skútr před najetím na překážku či obrubník trochu zrychlete krátkým rozjezdem. Nedopustěte, abyste vy či tento skútr museli zvládat velký zpětný ráz.

2.10 Ovládací panel

- Přepněte spínací klíč ON/OFF (Zap./Vyp.) do polohy Zap. Než stisknete rychlostní páčku, počkejte alespoň 3 sekundy, jinak dojde k alarmu „ochrana časovým zpožděním“.
- Tím se rozsvítí indikátor stavu baterie ⑧, který zobrazí aktuální kapacitu baterií.
- Nyní otočte regulaci rychlosti ② na požadovanou rychlost jízdy.
- Stiskněte rychlostní páčku pomocí prstů k rukojeti (pravou páčku pro pohyb dopředu, levou páčku pro pohyb dozadu).
- Chcete-li zatroubit, stiskněte tlačítko klaksonu ④.
- Chcete-li rozsvítit přední a zadní světla, stiskněte tlačítko světel ③.
- Pro zapnutí nouzových blikajících světel stiskněte tlačítko ⑥.
- Chcete-li rozsvítit směrová světla, stiskněte požadované tlačítko ⑤ nebo ⑦ (levé = levé směrové světlo, pravé = pravé směrové světlo).
- Chcete-li skútr zastavit, uvolněte rychlostní páčku pod ovládacím panelem.



- 1 = Indikátor problému
- 2 = Regulace rychlosti
- 3 = Přední světla
- 4 = Klakson
- 5 = Směrové světlo (levé)
- 6 = Nouzová světla
- 7 = Směrové světlo (pravé)
- 8 = Indikátor stavu baterie

Za změny v softwaru je odpovědná společnost Vermeiren. Pro změny v softwaru se obraťte na společnost Vermeiren.

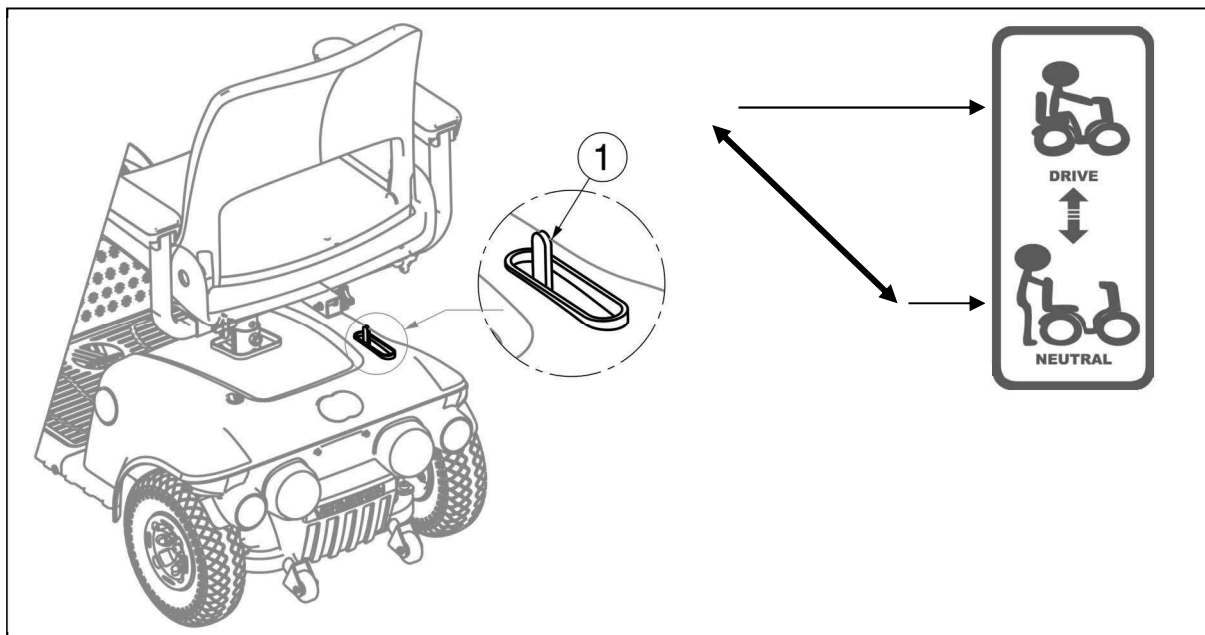
2.11 Neutrál

- ⚠ VAROVÁNÍ:** Mějte skútr vždy pod kontrolou – nikdy nezařazujte neutrál ve svahu.
- ⚠ VAROVÁNÍ:** Mějte skútr vždy pod kontrolou – nikdy nezařazujte neutrál ve svahu. Mohlo by dojít k nechtěnému pohybu.
- ⚠ VAROVÁNÍ:** Riziko zranění – nikdy nezvedejte elektronický pohon před zastavením motoru či převodů, aby nedošlo k přehřátí motoru.

Skútr disponuje volnoběžným zařízením, které je dostupné a ovladatelné prostřednictvím asistenta či uživatele, jenž nesedí na skútru. Neutrál byste měli používat pouze pro přepravu skútru nebo jeho výjezd z nebezpečné zóny.

Zařadte neutrál skútru pomocí páky zastavení motoru ① na zadní straně skútru.

- Jízda
 1. Dejte páku zastavení motoru ① do jízdni polohy. Tím se znovu spojí motor a převodovka.
 2. Přepněte klíček ON/OFF (Zap./Vyp.) do polohy Zap.
 3. Nyní je možná jízda řízená elektronicky.
- Neutrál
 1. Přepněte klíček ON/OFF (Zap./Vyp.) do polohy Vyp.
 2. Dejte páku zastavení motoru ① na neutrál (viz štítek). Tím se rozpojí motor od převodovky.
 3. Nyní lze skútr tlačít bez elektronického pohonu.



2.12 Transport

2.12.1 Letecky

i Vzhledem k tomu, že skútr je vybavena neplnitelným akumulátorem AGM, je možné přepravovat skútr (jako celek) letadlem. Před rezervací letu se obraťte na vaši leteckou společnost pro správné postupy při manipulaci.

Před předáním skútru personálu letiště odpojte a v případě potřeby vyjměte baterii ze skútru. Viz také kapitola §3.11 o výměně baterie.

2.12.2 Autem

⚠ NEBEZPEČÍ: Riziko zranění – skútr není vhodný pro použití jako sedadlo v motorovém vozidle, jak je vyznačeno symbolem na následujícím obrázku.



⚠ VAROVÁNÍ: Riziko zranění – před přepravou odeberte všechny volné části.

⚠ VAROVÁNÍ: Riziko zranění – během přepravy nesmí být pod skútre, na stupače ani na sedadle žádné osoby či předměty.

⚠ VAROVÁNÍ: Riziko zranění – zajistěte, aby byl skútr řádně upevněn. Tím lze předejít zranění cestujících při nehodě nebo náhlém zabrzdění.

⚠ VAROVÁNÍ: Nebezpečí skřípnutí – nedávejte prsty mezi součásti tohoto skútru

Nejlepší způsob, jak skútr dopravit do vozidla, je najet s ním do automobilu pomocí rampy. Nemáte-li se skútre zkušnosti s jízdou po nakloněné rovině, můžete na něm také zařadit neutrál a po rampě jej zatlačit do automobilu.

Pokud se celý skútr nevejde do vozidla, je také možné jej přepravit následujícím postupem:

1. Před přepravou odeberte všechny oddělitelné části (sedadlo apod.).
2. Uložte odebrané části na bezpečné místo.
3. Je-li to možné, pro úsporu váhy vyjměte baterie / bateriové boxy.
4. Sklopte jednotku řízení dolů pomocí nastavení úhlu.
5. Umístěte skútr do vozidla prostřednictvím 2 až 3 osob.
6. Upevněte rám skútru bezpečně k vozidlu.

2.13 Automatické vypnutí napájení

Aby nedocházelo k nežádoucímu vybíjení baterie, je skútr vybaven funkcí automatického vypnutí napájení. Je-li skútr zapnutý, bude po určité době jeho nečinnosti automaticky vypnut. Pokud k tomu dojde, stačí skútr vypnout, znovu zapnout a bude opět připraven k použití.

2.14 Nabíjení baterií

⚠ VAROVÁNÍ Riziko zranění a poškození kvůli požáru

- Používejte pouze baterii/baterie a nabíječku dodané s výrobkem. Použití jakékoli jiné baterie či nabíječky může být nebezpečné (riziko požáru).
- Pro případnou výměnu se obraťte na svého odborného prodejce.
- Za žádných okolností neotevírejte ani neměňte baterii, nabíječku, kabely či zástrčky, ani neměňte žádné body připojení!
- Nabíječka je určena pouze k nabíjení baterie či baterií dodaných se skútre, nikoli k nabíjení jakýchkoli jiných baterií.
- Chraňte baterii a nabíječku baterie před plameny, vysokými teplotami (> 50 °C), vlhkostí, slunečním zářením a silnými otřesy (např. při upuštění). Pokud již k tomu došlo, baterii NEPOUŽÍVEJTE.
- Baterii nabíjejte pomocí dodané nabíječky v dobře větrané místnosti mimo dosah dětí.
- K nabíjení nepoužívejte prodlužovací kabel

⚠ POZOR Riziko zranění

V závislosti na použití, terénu a jízdních podmínkách může být výdrž baterie kratší či delší.

Při plánování jízdy berte v úvahu stav nabití baterie. Mějte na paměti akční rádius dané baterie, viz technické údaje v §1.3.

POZOR Riziko poškození baterie anebo zkrácení její životnosti

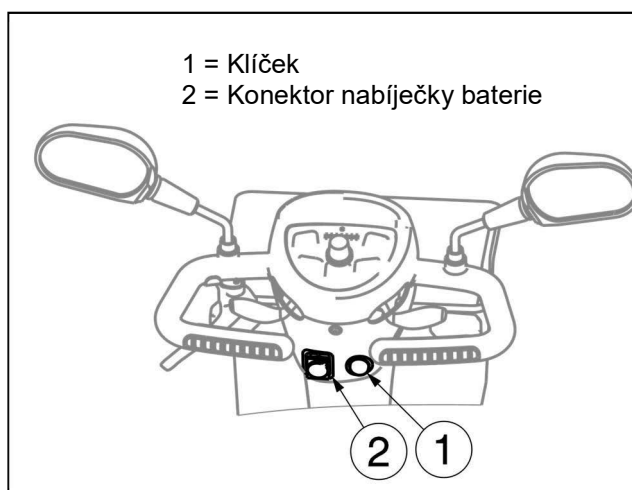
- Přečtěte si návod k obsluze nabíječky a dodržujte bezpečnostní pokyny, které se jí týkají.
- Je-li skútr delší dobu skladován, doporučujeme baterii pravidelně nabíjet (přibl. jednou za měsíc).

- **Nepřerušujte nabíjecí cyklus a vyčkejte, dokud není nabíječkou indikováno úplné nabití baterie, viz návod k obsluze nabíječky. Baterii nenabíjejte v krátkých časových intervalech. Poznámka: to se NETÝKÁ lithiových baterií.**
- **Je-li baterie zcela vybita, může dojít k jejímu nevratnému poškození. Proto zajistěte, aby byla baterie včas nabita.**
- **Je-li baterie delší dobu vystavena extrémnímu chladu, dojde ke zkrácení její životnosti, viz technické údaje v §1.3.**
- **Zajistěte, aby byly všechny body připojení na baterii a bod připojení v prostoru pro baterii bez prachu a jiných nečistot.**
- **Chraňte baterii před velkými zdroji elektromagnetického záření.**

Před prvním použitím nové baterie ji plně nabijte.

Světlo vyzařující diody LED na jednotce řízení ukazují zbývající kapacitu baterií ve skútru. Je-li zapnuta nabíječka baterie a nesvítí žádná dioda LED, zkontrolujte pojistku. Nesvítí-li červená dioda LED, je vadná nabíječka – obraťte se na odborného prodejce.

1. Vypněte skútr (VYP).
2. NEJPRVE zapojte nabíječku baterie do el. zásuvky 220 V~.
3. Otevřete ochrannou krytku u konektoru nabíjení (2).
4. Připojte nabíječku k baterii.
5. Vysvětlení indikátorů na nabíječce viz návod k obsluze nabíječky baterií.
6. Když dojde k úplnému nabití baterie, odpojte ji od nabíječky.
7. Zapněte skútr (ZAP) a ověřte, zda svítí všechna světla indikátoru stavu baterie.
8. Odpojte nabíječku ze zásuvky, nechte ji vychladnout a pak ji uložte na suché místo.



i V případě jakýchkoli problémů, když nelze baterii nabíjet podle následujících pokynů, se obraťte na svého odborného prodejce.

Když se po nabíjení na ovládací konzole zobrazí chybový kód „Zabránění jízdy“, ověřte řádné odpojení nabíječky baterií. Toto bezpečnostní opatření zabrání jízdě s nabíječkou, která je ještě připojena k el. síti

3 Sestavení a nastavení skútru

Pokyny v této kapitole slouží pro uživatele a odborného prodejce.

Chcete-li najít servisní středisko či odborného prodejce ve svém okolí, kontaktujte nejbližší středisko společnosti Vermeiren. Seznam poboček Vermeiren je uveden na poslední straně tohoto návodu.

⚠ VAROVÁNÍ: Riziko nebezpečných nastavení – použijte pouze nastavení popsaná v tomto návodu.

⚠ VAROVÁNÍ: Riziko převrácení – i povolené variace nastavení mohou změnit stabilitu tohoto skútru (náklon dozadu nebo do stran).

CS

3.1 Nástroje

Pro sestavení skútru jsou potřeba tyto nástroje:

- Sada plochých klíčů č. 13, 17
- Sada inbusových klíčů č. 6

3.2 Způsob dodání

Obsahem dodávky skútru musí být:

- rám s loketními opěrkami, jednotka řízení, zadní a přední kola;
- stupačka;
- sedadlo a opěradlo;
- baterie (2x), motor;
- nákupní košík;
- zpětná zrcátka (2x);
- parkovací brzda;
- nabíječka baterií;
- příslušenství;
- návod.

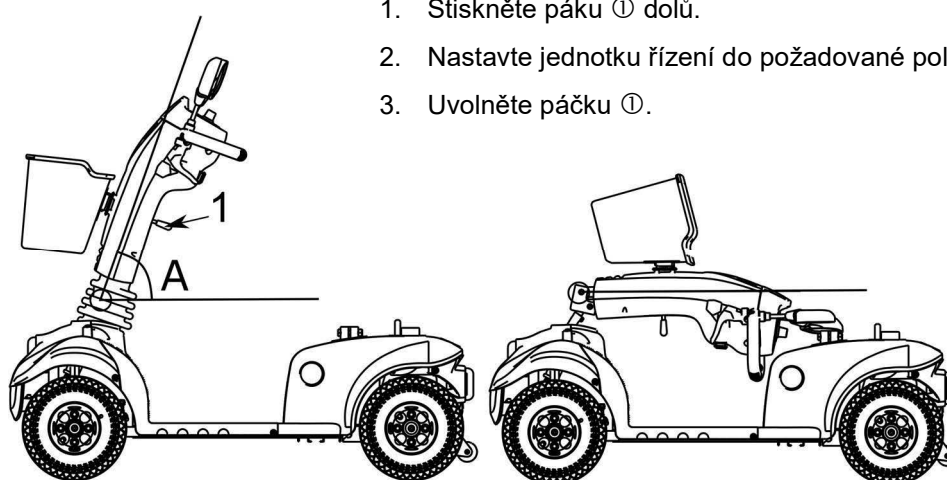
3.3 Nastavení úhlu jednotky řízení

Jednotku řízení lze naklonit pod mnoha různými úhly (souvisele), aby vyhovovala každému řidiči. Úhel panelu řízení (A) je nastavitelný mezi 0 ° (horizontální, bez sedačky) a 80 ° (nejvyšší poloha).

⚠ VAROVÁNÍ: Riziko zranění – nastavení úhlu nikdy neprovádějte za jízdy.

⚠ VAROVÁNÍ: Riziko zranění – před nastavením úhlu jednotky řízení skútr vždy vypněte.

⚠ VAROVÁNÍ: Riziko zranění – nenaklánějte se celým tělem nad jednotku řízení.



1. Stiskněte páku ① dolů.
2. Nastavte jednotku řízení do požadované polohy.
3. Uvolněte páčku ①.

3.4 Nastavení sedadla

⚠ VAROVÁNÍ: Riziko zranění – nastavení sedadla nikdy neprovádějte za jízdy.

⚠ VAROVÁNÍ: Riziko zranění – ověřte, že je sedadlo dobře zaaretováno.

Vyjmutí sedadla (obr. A)

1. Mytáhněte držadlo sedadla ① nahoru.
2. Sedadlo ② rochu natočte a zvednutím jej vyjměte ze seřizovací tyče ⑤.
3. Uvolněte páku sedadla ①.

Zaaretování sedadla na místě (obr. A)

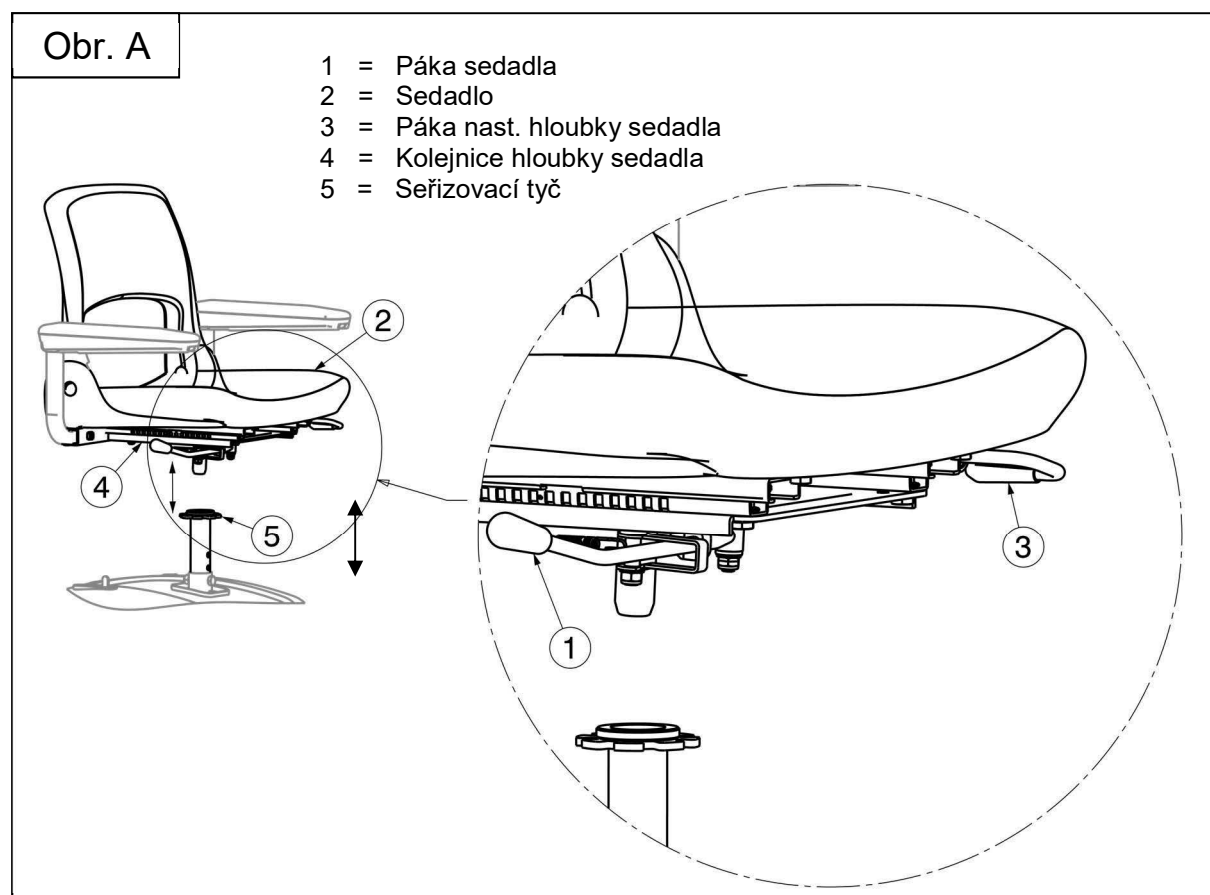
1. Mytáhněte držadlo sedadla ① nahoru.
2. Položte sedadlo ② na seřizovací tyč ⑤ a zároveň držte páku sedadla ① stisknutou.
3. Uvolněte páku sedadla ①.
4. Ověřte, že je sedadlo řádně zaaretováno.

Otočení sedadla (obr. A)

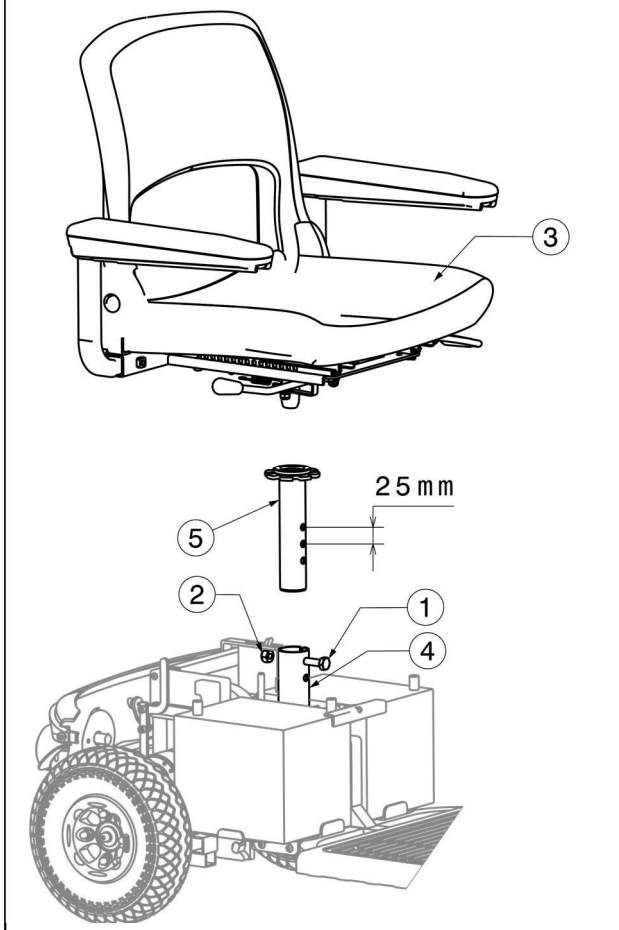
1. Mytáhněte držadlo sedadla ① nahoru.
2. Otočte sedadlo ② požadovaným směrem.
3. Uvolněte páku sedadla ①, a sedadlo se pak vždy zastaví po 90°.
4. Ověřte, že je sedadlo řádně zaaretováno.

Nastavení hloubky (obr. A)

1. Vytáhněte páku nastavení hloubky sedadla ③ ven.
2. Posuňte sedadlo ② na kolejničích hloubky sedadla ④ dopředu či dozadu.
3. Chcete-li sedadlo zaaretovat na místě, uvolněte páku ③ jakmile je sedadlo ② v požadované poloze.
4. Sedadlem trochu otočte, až se zaaretuje na místě.
5. Ověřte, že je sedadlo řádně zaaretováno.



Obr. B

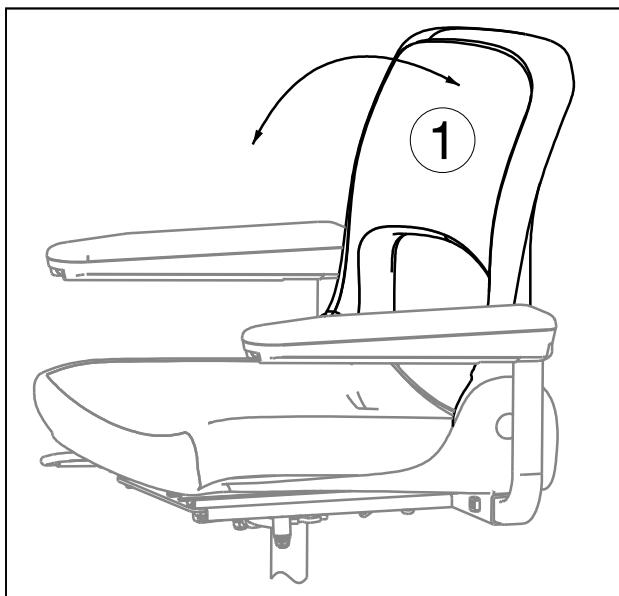


Nastavení výšky sedadla (obr. B)
Výšku sedadla lze nastavit do 3 různých poloh (v krocích po: 25 mm).

1. Nasadíte sedadlo ③ a kryt baterie.
2. Vyjměte šroub ① a matici ②.
3. Posuňte seřizovací tyč ⑤ nahoru/dolů v pevné trubce ④, a nastavte jí tak, aby mělo sedadlo výšku pro pohodlné sezení.
4. Upevněte šroub ① a matici ②.
5. Nasadíte sedadlo ③ a kryt baterie.
6. Ověřte, že je sedadlo ③ řádně zaaretováno.

CS

3.5 Sklopení opěradla



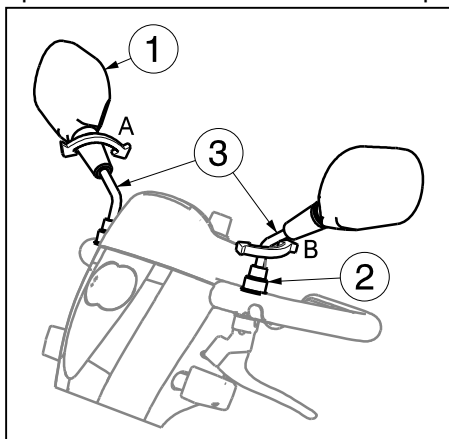
⚠ VAROVÁNÍ: Riziko zranění – nastavení sedadla nikdy neprovádějte za jízdy.

Chcete-li opěradlo ① sklopit, zatlačte jej dopředu.

Chcete-li opěradlo ① napřímit, vytáhněte jej nahoru.

3.6 Nastavení zpětných zrcátek

Zpětná zrcátka lze nastavit těmito způsoby:



Nastavení 1 (šipka A):

1. Uchopte zpětné zrcátko ①.
2. Natočte zpětné zrcátko ① do požadované polohy.

Nebo

Nastavení 2 (šipka B):

1. Posuňte krytku ② nahoru.
2. Povolte šroub zrcátka.
3. Opatrně uchopte trubku ③.
4. Natočením trubky ③ nastavte zrcátko ① do požadované polohy.

3.7 Nastavení loketních opěrek

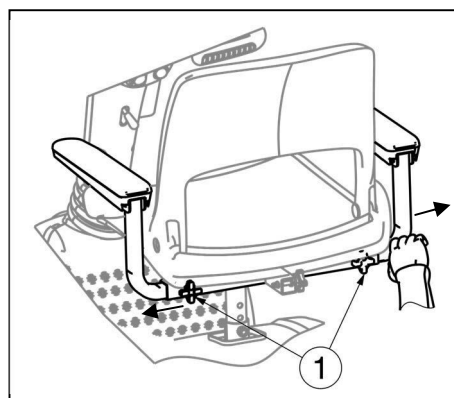
⚠ POZOR: Riziko převrácení – zajistěte, aby byly loketní opěrky v symetrické poloze vůči sedadlu.

⚠ POZOR: Riziko zranění – vnitřní profil upevněte v min. bezpečné délce 50 mm do vnějšího profilu.

U loketní opěrky lze nastavit její šířku.

3.7.1 Nastavení šířky loketních opěrek

1. Vyšroubujte hvězdicový knoflík ① na zadní straně skútru.
2. Uchopte vnitřní čtvercový profil, viz obrázek.
3. Posuňte profil potřebným směrem a nastavte požadovanou šířku (rozsah 100 mm na každé straně).
4. Zašroubujte hvězdicový knoflík ①.
5. Ověřte, že je loketní opěrka řádně upevněna.



3.8 Výměna pneumatiky

⚠ POZOR: Před sejmutím pneumatiky nesmí být v duši žádný vzduch.

⚠ POZOR: Riziko poškození – při nesprávné manipulaci může dojít k poškození ráfku.

Před vložením nové duše si přečtěte tuto poznámku:

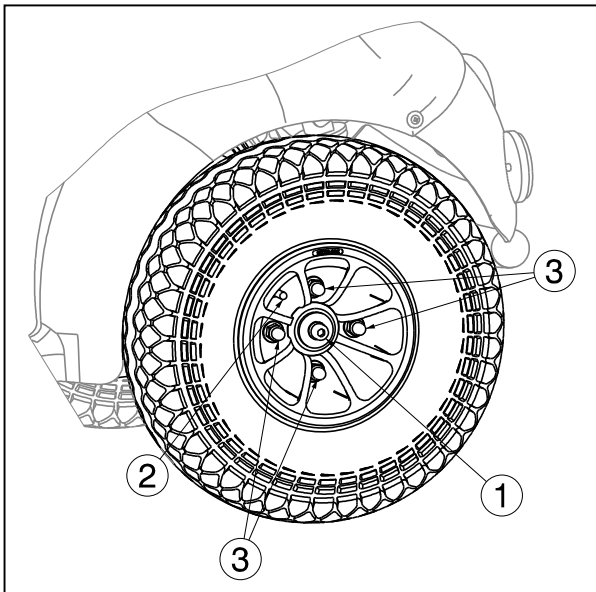
Ověřte, zda lůžko ráfku a vnitřní stěna pneumatiky neobsahuje nečistoty, a v případě potřeby je řádně vyčistěte. Zkontrolujte stav lůžka ráfku, zejména kolem ventilku. Používejte pouze pravé originální náhradní díly. Za škody způsobené neoriginálními náhradními díly neneseme žádnou odpovědnost. Obratě se na svého odborného prodejce.

Montáž:

⚠ VAROVÁNÍ: Riziko zranění – ověřte, že máte správný tlak.

⚠ POZOR: Riziko zranění – zajistěte, aby se při montáži pneumatiky neskříply mezi ní a ráfek žádné předměty nebo části těla.

⚠ VAROVÁNÍ: Riziko zranění – ověřte, že jsou všechny šrouby řádně dotaženy rukou, než pojedete na skútru. Na šrouby disku kola musí být nanášeno závitové lepidlo (např. Loctite). Závitové lepidlo funguje pouze v případě, že závity neobsahují mazivo ani nečistoty.



DEMONTÁŽ

1. Vyšroubujte a vyjměte středový šroub ① který upevňuje kolo a jeho disk ke skútru.
2. Vypusťte vzduch z kola tak, že lehce stisknete tlakový kolíček ve ventilku ②.
3. Vyšroubujte 4 šrouby ③ na vnitřní straně v ráfku. Oddělte obě strany ráfku.

MONTÁŽ

Vložte částečně nafouknutou duši do pneumatiky.

1. Spojte obě strany ráfku skrz pneumatiku, umístěte disk na pneumatiku a znovu je sešroubujte pomocí 4 šroubů ③.
2. Vložte ventilek ② otvorem pro jeho uložení v ráfku.
3. Nasadte kolo a disk zpět na skútr a upevněte tento spoj pomocí středového šroubu ①. Nahustěte kolo na doporučený tlak pneumatiky

Po celém obvodu na obou stranách ověřte, že není duše skřípnuta mezi ráfkem a okrajem pneumatiky. Lehce zatlačte ventilek směrem dovnitř a znovu jej vytáhněte, abyste ověřili, že je pneumatika v oblasti ventilku správně umístěna.

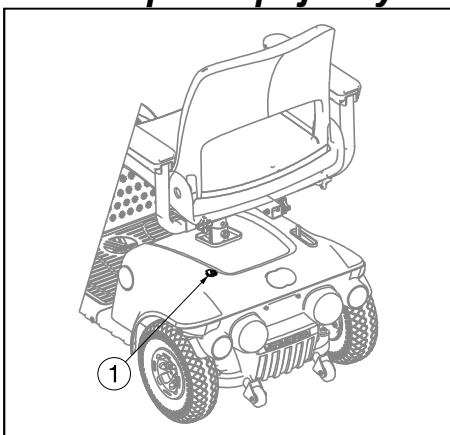
Pro zajištění správného nahuštění kola zpočátku nahustěte tolik vzduchu, aby bylo možné pneumatiku ještě lehce stisknout palcem směrem dovnitř. Jsou-li kontrolní linky po obou stranách pneumatiky ve stejné vzdálenosti od ráfku, je pneumatika správně vycentrována. Jinak vypusťte vzduch a umístěte pneumatiku znovu. Nyní lze pneumatiku nahustit na plný provozní tlak (viz max. hodnota) a nasadit čepičku na ventilek.

Správnou montáž může zaručit pouze odborník. Pokud tuto činnost neprovede odborný prodejce, nelze uplatňovat záruku.

Při huštění pneumatik vždy kontrolujte, zda mají správný tlak. Správný tlak je uveden na bočnicích pneumatiky.

Používejte pouze hustící zařízení, které splňuje příslušné předpisy a ukazuje tlak v barech. Neneseme žádnou odpovědnost za poškození způsobené hustícím zařízením, které nebylo dodáno výrobcem.

3.9 Tepelné pojistky

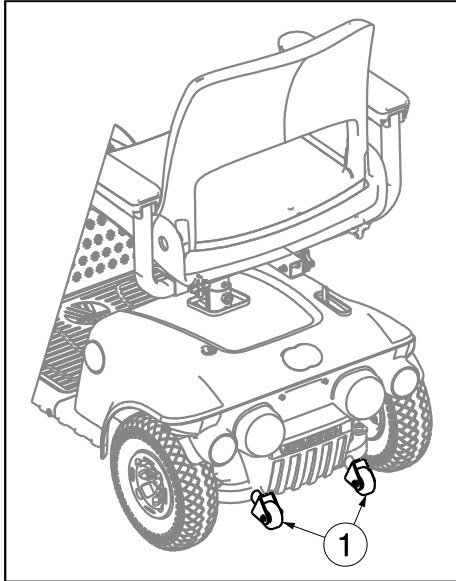


Na zadní straně skútru se nachází tepelný bezpečnostní mechanismus ① pro ochranu motoru před přetížením. Tepelná pojistka automaticky odpojí motor, aby nedošlo k jeho přehřátí a následnému rychlému opotřebení nebo závadám. Tepelné bezpečnostní zařízení je přístupné pomocí mezery v zadní části plastového krytu.

Tepelné bezpečnostní zařízení se může aktivovat při jízdě do svahu či ze svahu, který překračuje max. uvedený sklon. Jmenovitá zatížení, která přesahují max. povolenou hodnotu, mohou také způsobit aktivaci zařízení. Stejně tak může dojít k přetížení, budete-li pokračovat v jízdě s motorovou brzdou. Max. hodnoty, které nesmějí být překročeny, viz kapitola „Technické údaje“ v příslušném návodu.

Abyste mohli skútr znovu používat, odstraňte přetížení a počkejte, dokud motor nevychladne. Pak opatrně zatlačte tepelný bezpečnostní mechanismus zpět na místo. Skútr je teď připraven k dalšímu použití.

3.10 Prevence převrácení



Prevence převrácení ① je upevněna k rámu skútru na jeho zadní straně. Toto zařízení není možné odebrat. Prevence převrácení slouží k vaší bezpečnosti. Zabraňuje převrácení skútru směrem dozadu při přejíždění malých překážek, které NEMAJÍ větší než max. povolenou výšku.

3.11 Výměna baterie

⚠ POZOR: Riziko popálení – nedopusťte žádný kontakt s kyselinou z baterií. Zajistěte řádné odvětrání přihrádky pro baterie.

⚠ POZOR: Nebezpečí poranění a poškození - Používejte pouze výměnné baterie; jsou označeny značkou " Non spillable" (neplnitelné) na baterii.

Vyměňte obě baterie současně a nikoli pouze jednu.

Vyměňte baterie tohoto skútru za stejný typ: baterie „**AGM (Absorbed Glass Mat – nasáknutá skelná vlákna)**“.

Dodaná nabíječka baterie funguje pouze s bateriemi AGM.

Použijete-li jiné typy baterií, vyměňte také jejich nabíječku. U nesprávné kombinace baterií a nabíječky nelze uplatňovat záruku. V případě nejistoty u jiných baterií a nabíječek se obraťte na svého odborného prodejce.

Baterie smí vyměňovat pouze vyškolený personál.

Kabeláž a nabíječka jsou ve skútru řádně uloženy. Sami se nepokoušejte vést kabeláž jinými místy. Při nesprávné instalaci kabeláže může dojít k jejímu skřípnutí mezi bateriový box, což zřejmě způsobí závadu elektronického systému skútru.

Ověřte, že jsou kabely baterie připojeny ke správné baterii.

4 Údržba skútru

Návod k údržbě skútrů viz webové stránky společnosti Vermeiren: <http://www.vermeiren.com/>.

POZOR: Riziko zranění a poškození

Opravy a výměny směřují provádět pouze vyškolené osoby. Přitom je třeba používat pouze originální náhradní díly společnosti Vermeiren.

- i** Servisní intervaly závisí na intenzitě a frekvenci používání. Požádejte svého prodejce o společnou dohodu na rozvrhu kontrol/údržby/oprav.
Přečtěte si pokyny pro údržbu v návodu k nabíječce baterie

CS

4.1 Instrukce pro opakované použití

4.1.1 Vydání produktu k opětovnému použití

Poslední strana této příručky obsahuje registrační formulář pro specializovaného prodejce k záznamům o servisu. Tato stránka může být také využita poskytovatelem pronájmu k zaznamenání požadovaných kontrol, čištění, dezinfekce a údržby. Před každým dalším použitím zkontrolujte, zda je zaznamenána údržba, aby mohl být výrobek uvolněn k opětovnému použití.

4.1.2 Intervaly údržby

Před každým použitím

Zkontrolujte následující:

- A Stav baterie: v případě potřeby baterii nabijte, viz §2.14
- B Stav kol/pneumatik, viz §4.1.3.
- C Všechny součástky: čisté, viz §4.1.4.
- D Ovládací konzola, kabely: bez poškození, kdy jsou kabely například roztřepené, zlomené nebo obnažené.
- E Kola, panel řízení, ovládací konzole: Správně zajištěné.
- F Sedák a zádovká opěrka: Promáčklé místo, poškození nebo oděrky. V případě potřeby vyměňte sedák a / nebo zádovkou opěrku.

Pro případné opravy či výměny částí se obraťte na svého odborného prodejce.

Ročně nebo častěji

Tento skútr nechte u odborného prodejce ke kontrole a provedení servisu alespoň jednou ročně nebo častěji. Minimální četnost údržby závisí na používání, a proto by měla být společně dohodnuta s vaším odborným prodejcem.

Při uložení

Zkontrolujte, že je váš skútr uložen v suchém prostředí, aby na něm nemohly růst plísně ani se nepoškodilo čalounění.

Pokud je váš skútr delší dobu uložen, je třeba baterie nabíjet měsíčně. Další informace viz §2.14.

4.1.3 Kola a pneumatiky

- A Udržujte kola bez drátů, vlasů, písku a vláken.
- B Zkontrolujte vzorek na pneumatikách. Je-li hloubka dezénu menší než 1 mm, musí být pneumatiky vyměněny. Obráťte se v této věci na svého odborného prodejce.
- C Zkontrolujte tlak v každé pneumatice. Tlak závisí na typu pneumatiky. Požadovaný tlak je uveden z boku pneumatiky.
- D Pokud pneumatika nezůstane pod tlakem nebo je viditelně měkká, obraťte se na svého prodejce.

POZOR: Nebezpečí zranění nebo poškození

Ujistěte se, že během nafukování není překročen maximální tlak. Zkontrolujte údaje na boku pneumatiky.

4.1.4 Čištění

POZOR: Riziko poškození vlhkostí

Udržujte ovládací konzolu čistou a chráňte ji před vodou a deštěm.

K čištění vašeho skútru nikdy nepoužívejte hadici ani vysokotlaký čistič.

Otřete všechny pevné části vašeho skútru vlhkým (nikoli mokrým) hadříkem). Čalounění lze vyčistit vlažnou vodou a jemným mýdlem. K čištění nepoužívejte abrazivní čisticí prostředky. Čalounění lze vyčistit vlažnou vodou a jemným mýdlem. K čištění nepoužívejte abrazivní čisticí prostředky.

Ventilační otvory nabíječky baterie udržujte čisté a bez usazených nečistot. V případě potřeby vyfoukněte prach a otřete kryt baterie lehce navlhčeným hadříkem.

4.1.5 Dezinfekce

⚠ POZOR: Riziko poškození - Dezinfekci mohou provádět pouze kvalifikované osoby. Poradte se se svým prodejcem.

5 Konec používání

Po skončení životnosti musí být skútr zlikvidován podle místní legislativy pro životní prostředí. Nejlepším způsobem likvidace je rozebrání skútru pro usnadnění přepravy recyklovatelných součástí. Sběr baterií obvykle probíhá zvlášť.

6 Prohlášení o shodě

Tento výrobek je certifikován pro CE a klasifikován jako zdravotnický výrobek třídy I. Značka CE označuje shodu výrobku s normami ochrany zdraví, bezpečnosti a životního prostředí používanými na výrobky obchodované v rámci evropského hospodářského prostoru.

Kopie prohlášení o shodě viz naše webové stránky:
<http://www.vermeiren.com/>.





Service registration form

This product (name):

was inspected (I), serviced (S), repaired (R) or disinfected (D):

By (stamp): Kind of work: I / S / R / D Date:	By (stamp): Kind of work: I / S / R / D Date:	By (stamp): Kind of work: I / S / R / D Date:
By (stamp): Kind of work: I / S / R / D Date:	By (stamp): Kind of work: I / S / R / D Date:	By (stamp): Kind of work: I / S / R / D Date:
By (stamp): Kind of work: I / S / R / D Date:	By (stamp): Kind of work: I / S / R / D Date:	By (stamp): Kind of work: I / S / R / D Date:
By (stamp): Kind of work: I / S / R / D Date:	By (stamp): Kind of work: I / S / R / D Date:	By (stamp): Kind of work: I / S / R / D Date:
By (stamp): Kind of work: I / S / R / D Date:	By (stamp): Kind of work: I / S / R / D Date:	By (stamp): Kind of work: I / S / R / D Date:



Vermeiren GROUP
Vermeirenplein 1 / 15
B-2920 Kalmthout
BE

website: www.vermeiren.com