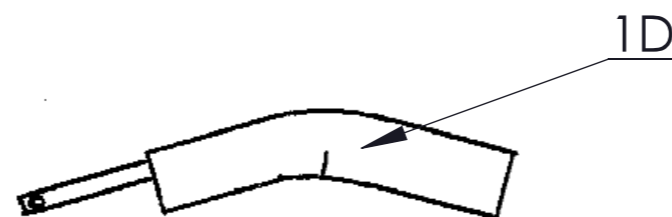
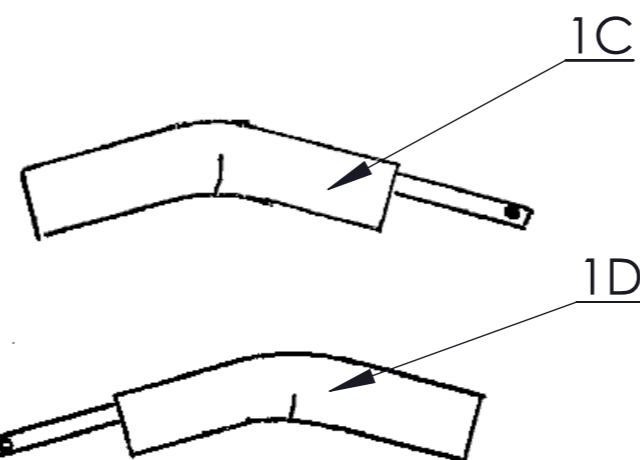
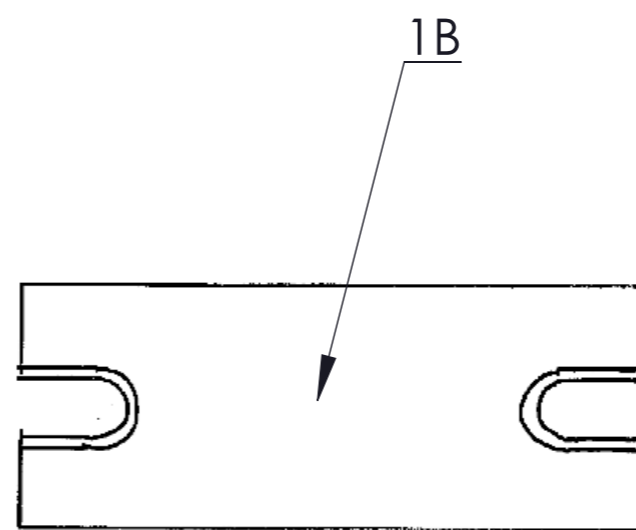
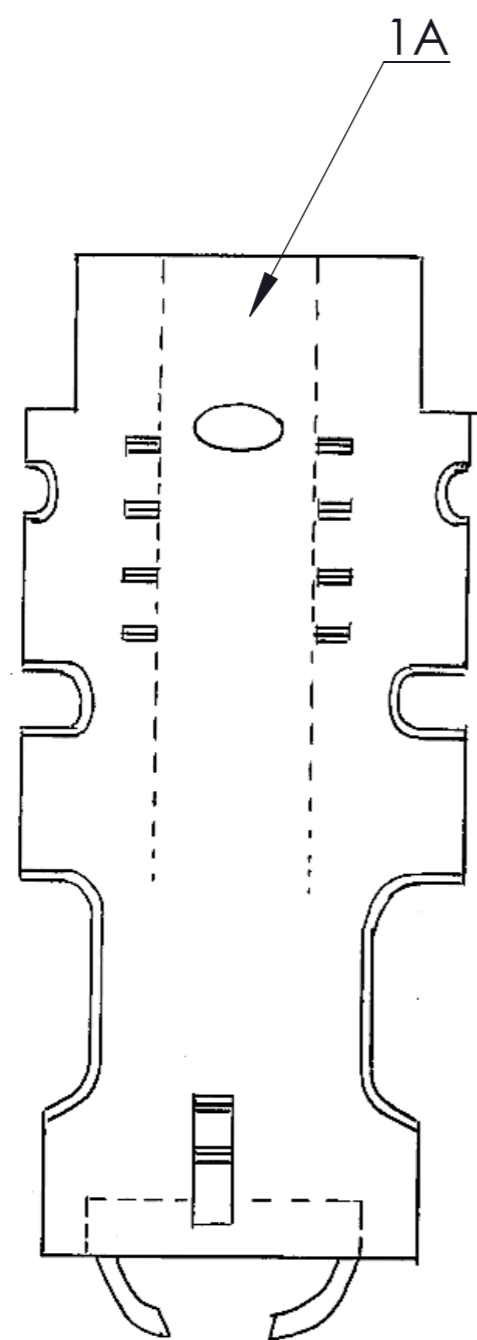



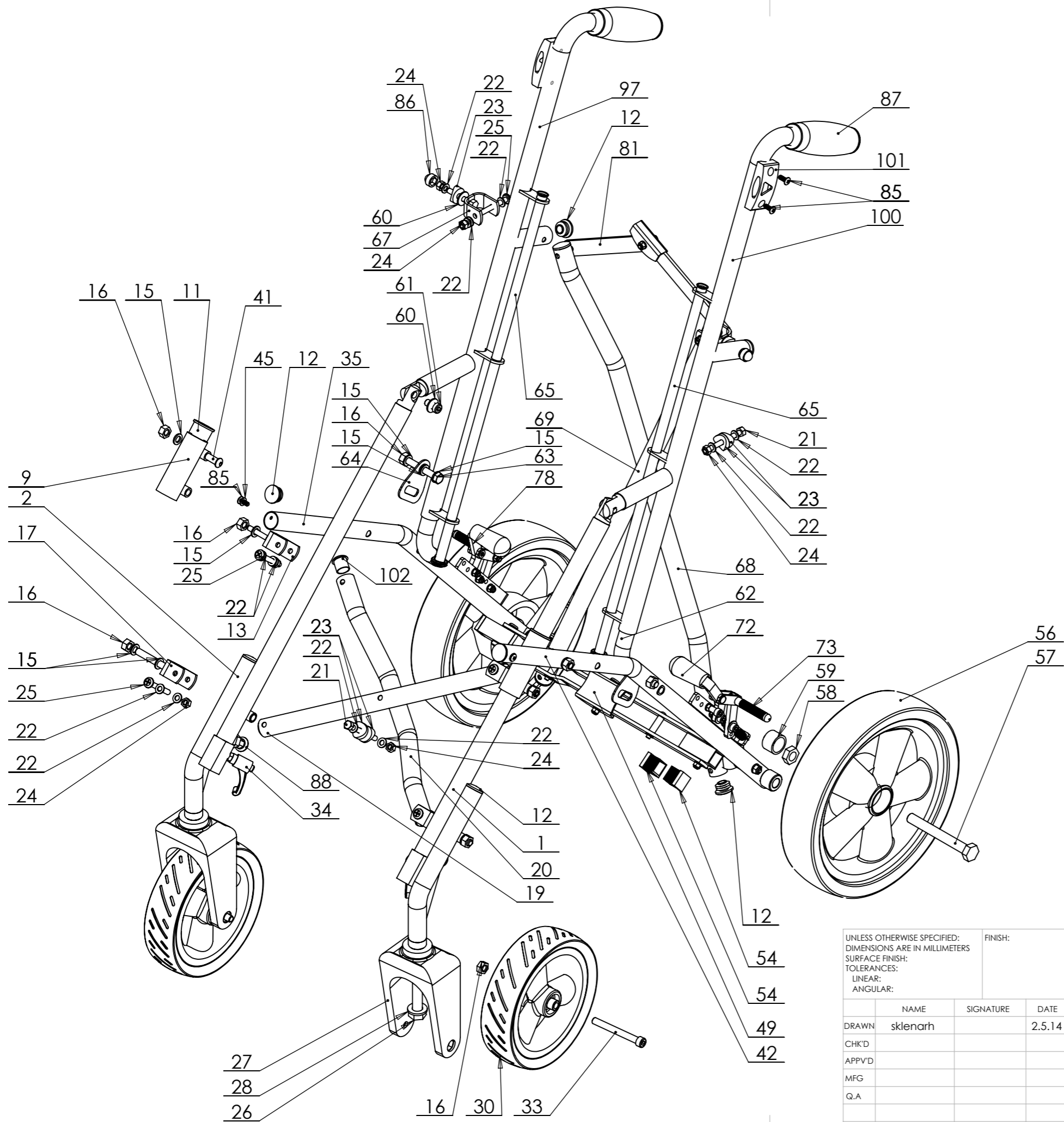
Corzino

Vues éclatées - Pièces détachées

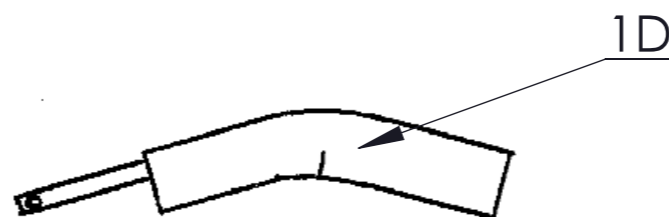
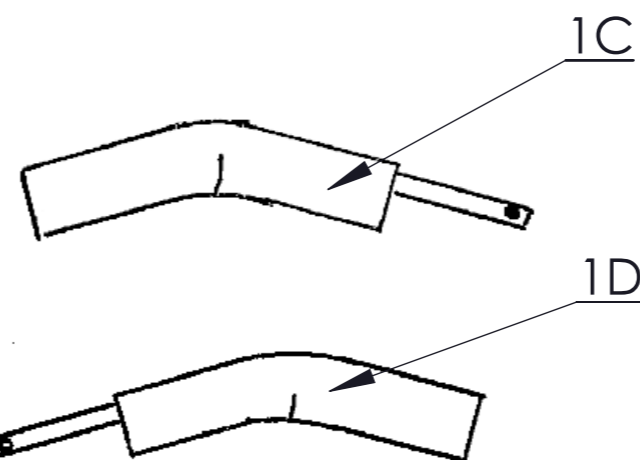
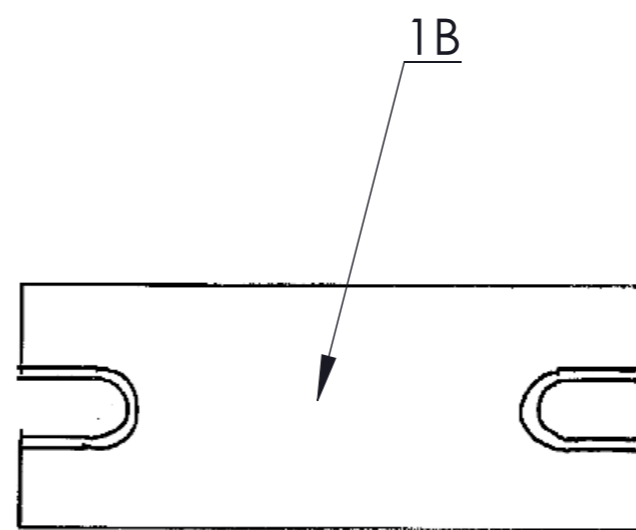
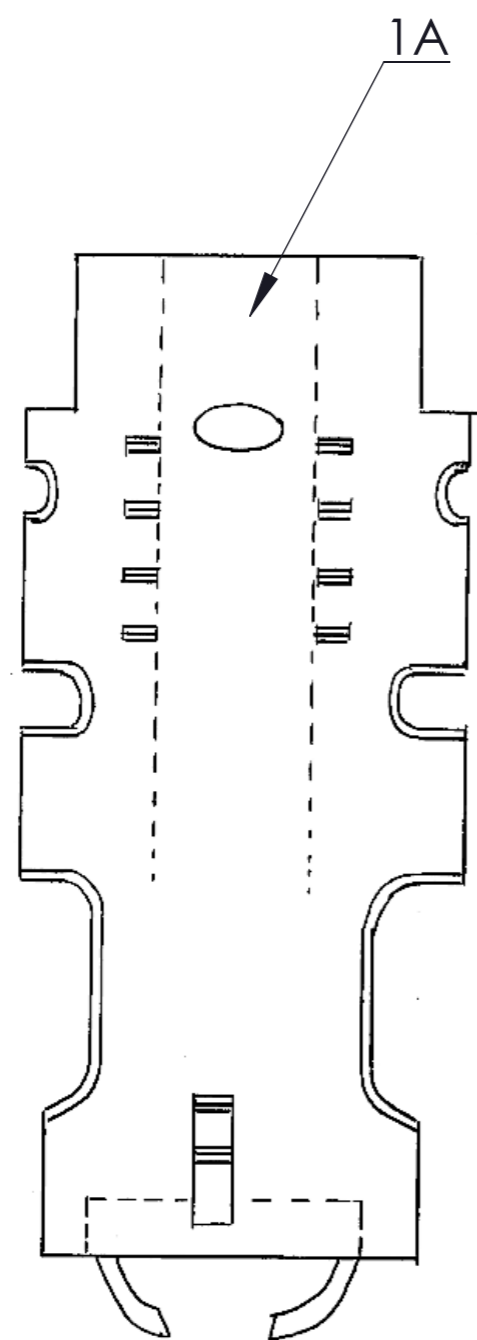





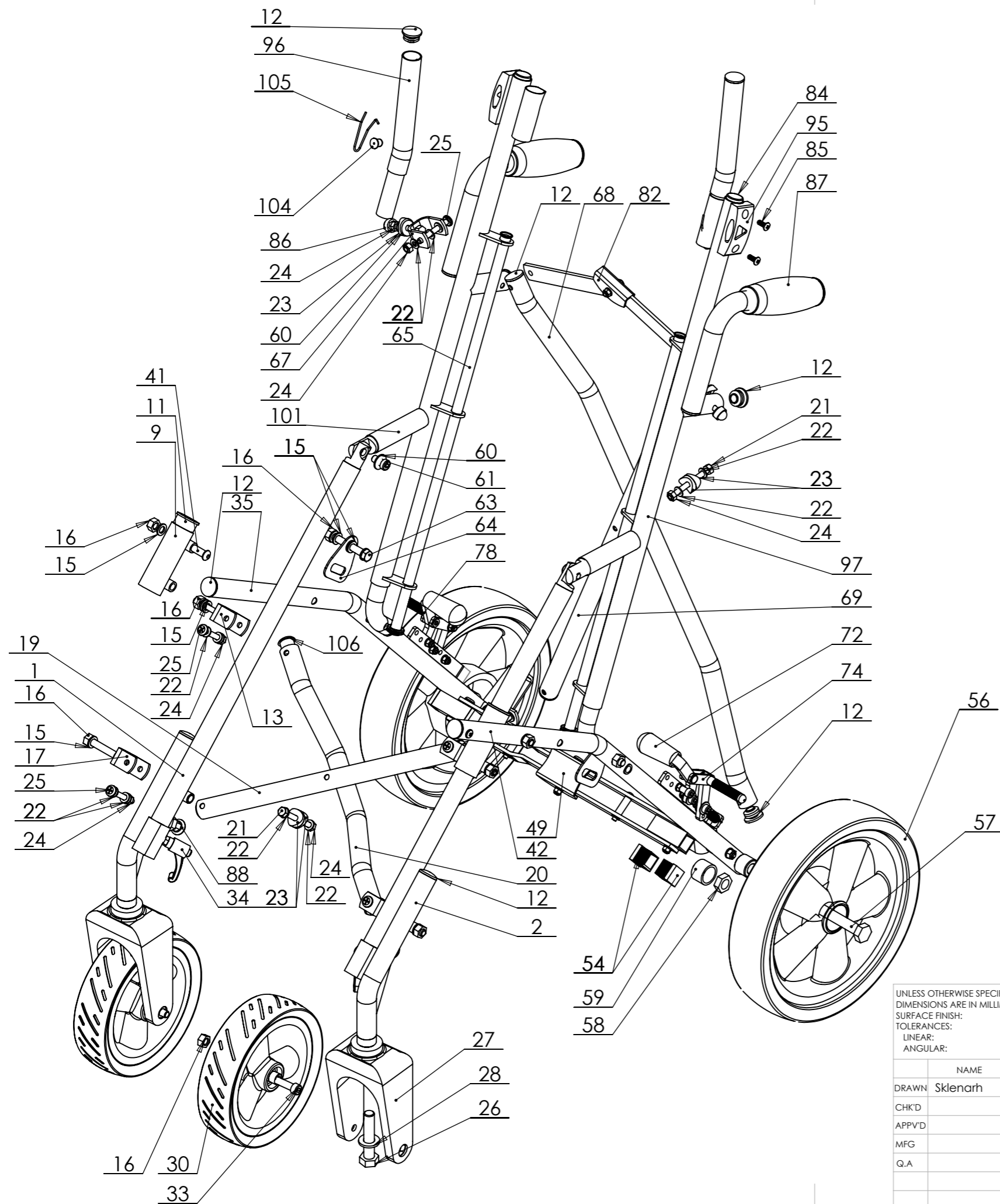
SCALE:	AUTHOR: Sklenarova	DESC: CNC - 34
	DATE: 08.08.2013	
		NAME: POTAHY/UPHOLSTERIES DRAWING NR: SVR00016



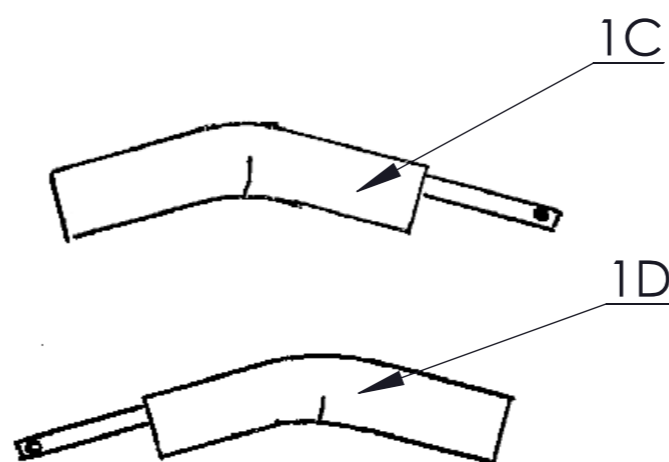
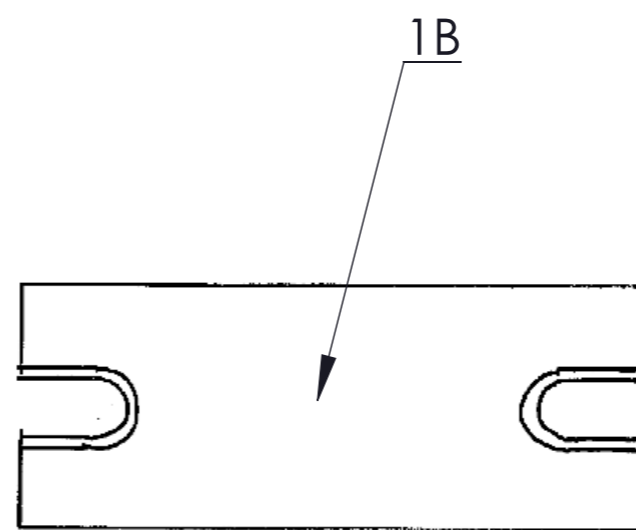
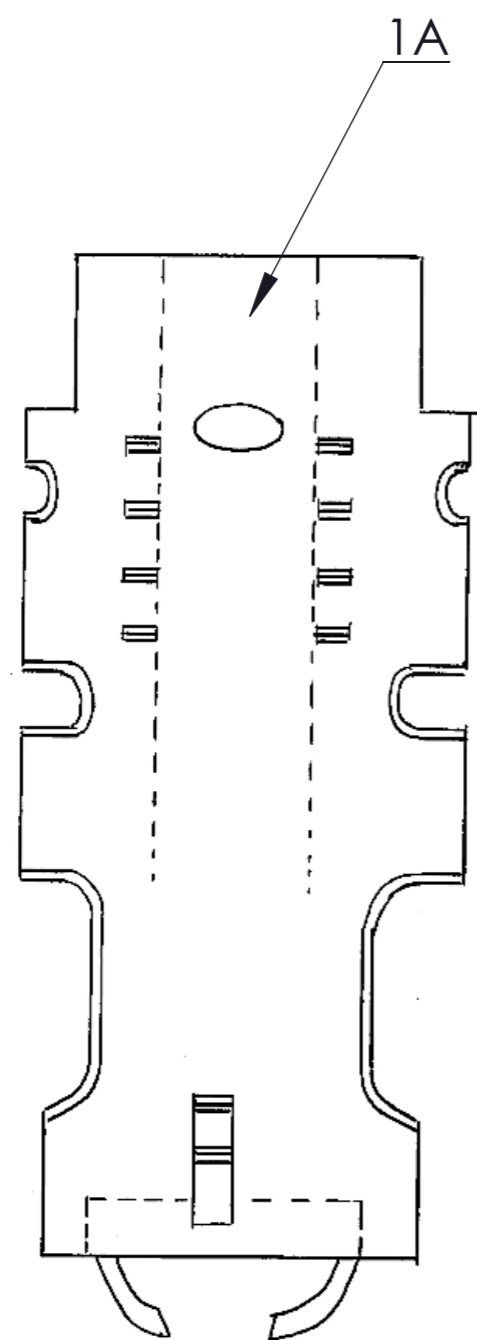
UNLESS OTHERWISE SPECIFIED: DIMENSIONS ARE IN MILLIMETERS SURFACE FINISH: TOLERANCES: LINEAR: ANGULAR:				FINISH:	DEBUR AND BREAK SHARP EDGES	DO NOT SCALE DRAWING	REVISION	001
						PATRON Bohemia a.s.		
						TITLE:		
						CHASSIS/PODVOZEK CNC34		
						DWG NO.		A3
						SVR00022AA		
						SCALE:1:20		SHEET 1 OF 1
						WEIGHT:		




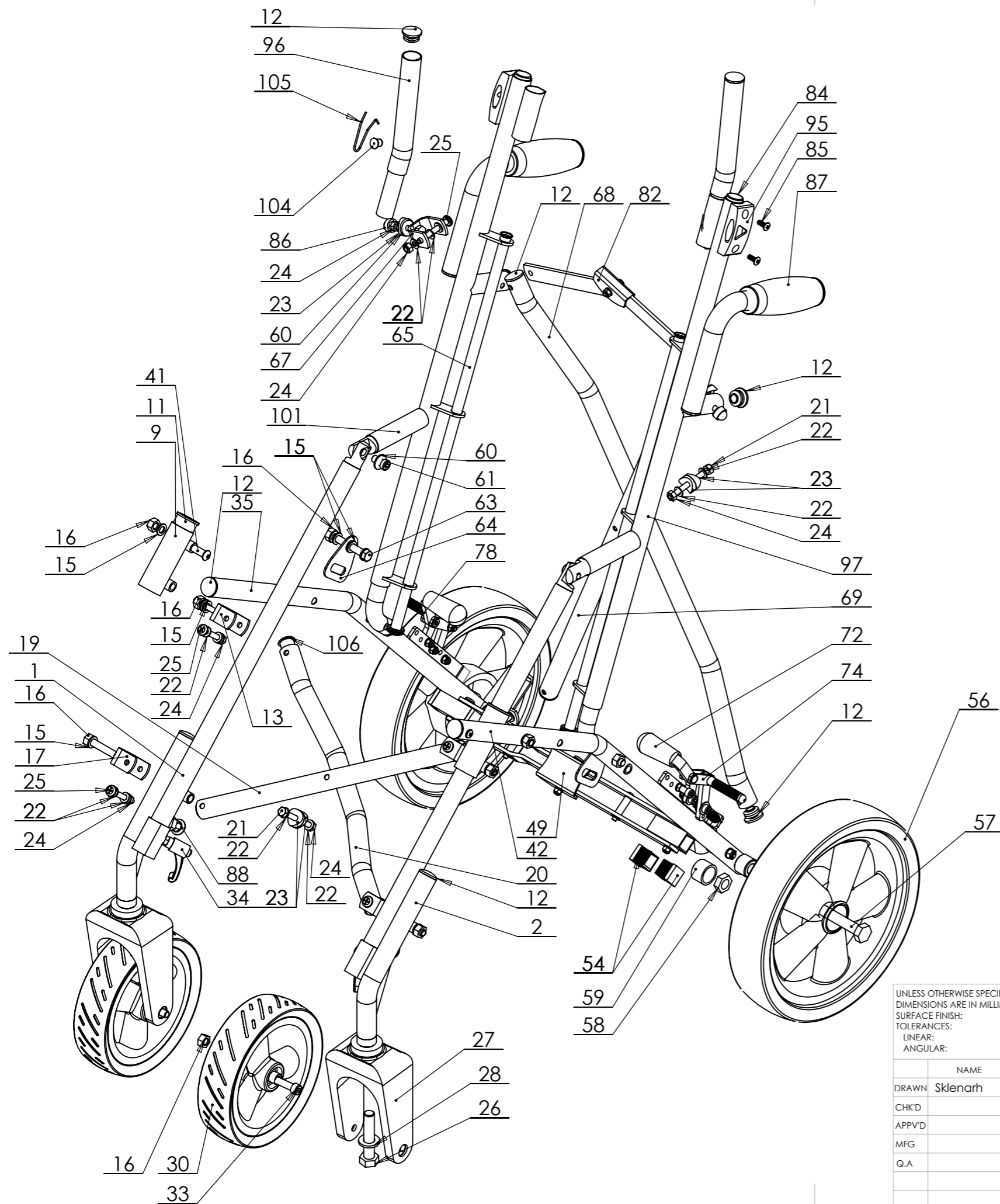
SCALE:	AUTHOR: Sklenarova	DESC: CNC - 38
	DATE: 08.08.2013	
		NAME: POTAHY/UPHOLSTERIES DRAWING NR: SVR00017



UNLESS OTHERWISE SPECIFIED: DIMENSIONS ARE IN MILLIMETERS SURFACE FINISH: TOLERANCES: LINEAR: ANGULAR:		FINISH:		DEBUR AND BREAK SHARP EDGES		DO NOT SCALE DRAWING		REVISION	
						PATRON Bohemia a.s.			
						TITLE:			
						CHASSIS/PODVOZEK CNC38			
						DWG NO.		A3	
						SVR00023AA			
						WEIGHT:		SCALE:1:20	
								SHEET 1 OF 1	



SCALE:	AUTHOR: Sklenarova	DESC: CNC - 42
	DATE: 05.05.2014	
		NAME: POTAHY/UPHOLSTERIES DRAWING NR: SVR00018



UNLESS OTHERWISE SPECIFIED: DIMENSIONS ARE IN MILLIMETERS SURFACE FINISH: TOLERANCES: LINEAR: ANGULAR:				FINISH:		DEBUR AND BREAK SHARP EDGES		DO NOT SCALE DRAWING		REVISION	
DRAWN: Sklenarh								SIGNATURE		DATE: 2.5.14	
CHK'D											
APPV'D											
MFG											
Q.A										MATERIAL:	
										DWG NO. SVR00024AA	
										SCALE: 1:20	
										SHEET 1 OF 1	
										A3	

A
B
C
D
E
F

1 2 3 4 5 6 7 8